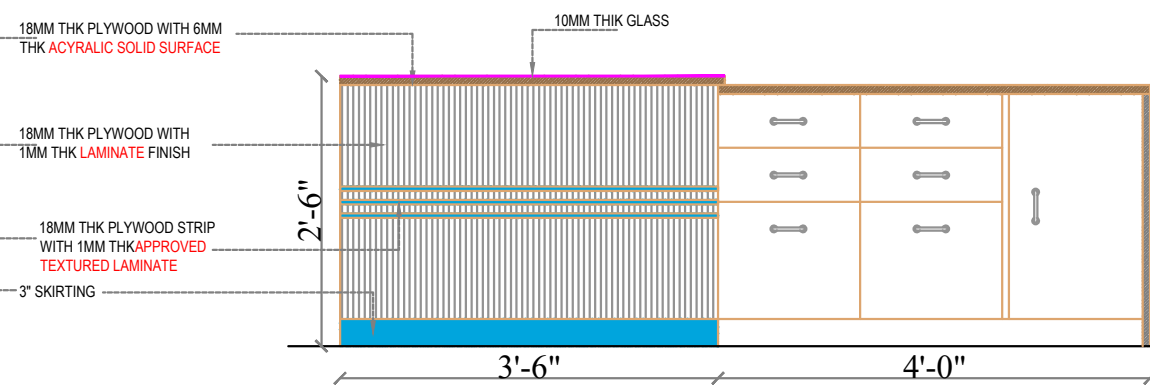
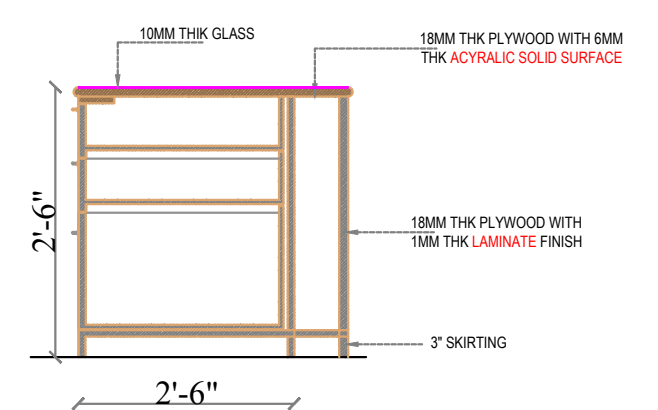


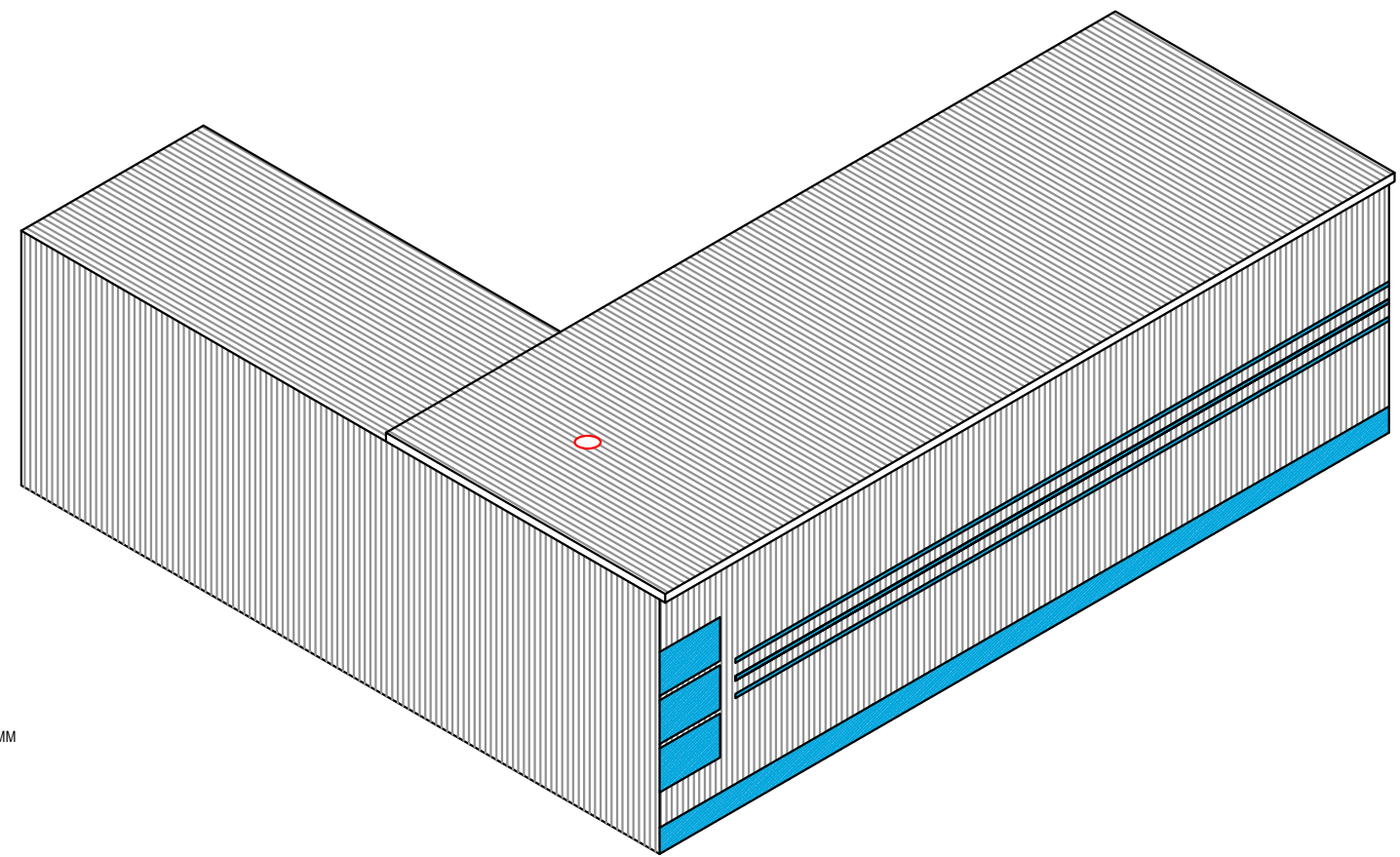
ELEVATION -A



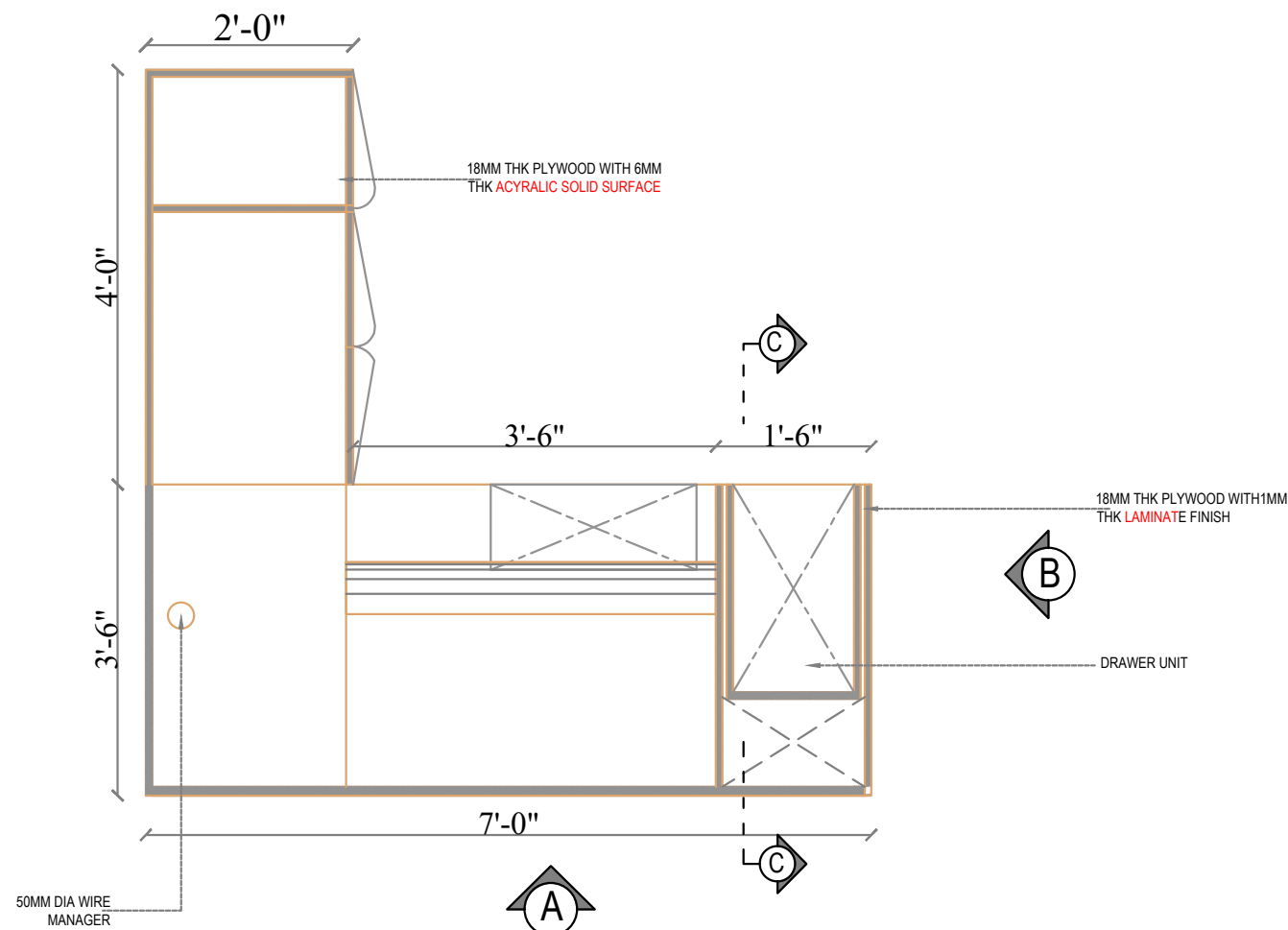
ELEVATION -B



SECTION C-C



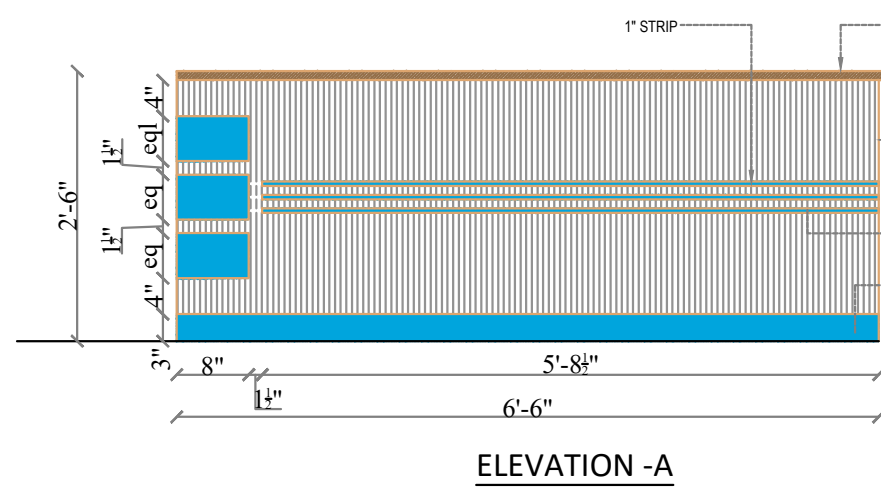
VIEW



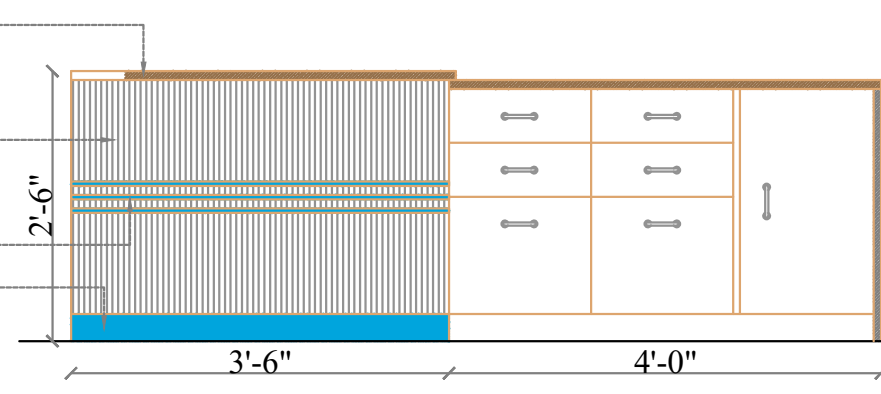
PLAN OF DGM TABLE

DETAIL OF DGM TABLE

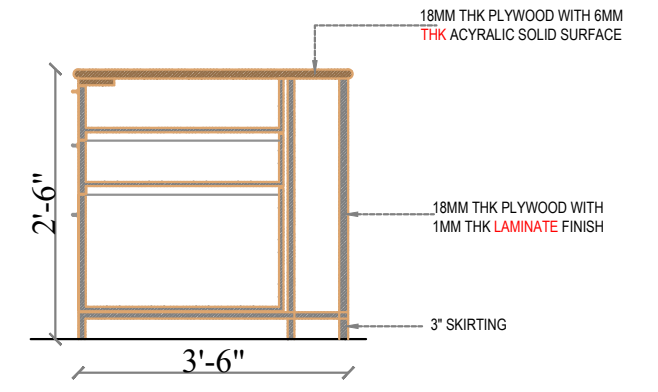
JOB NO	PROJECT TITLE : PROPOSED INTERIOR DESIGN FOR CANARA BANK CIRCLE OFFICE SAMBAKULAM ROAD, MADURAI.	DRAWING TITLE :	DGM TABLE DETAIL	DESIGN STAGE	SCALE	N.T.S	DRG NO	DET-01	ORIENTATION	ARCHITECTS T.S.O DESIGN COMMUNE PVT. LTD. Architects ■ Planners ■ Interior designers <small>NEW NO.16,(OLD NO.42), Ground floor, South West Boag Road, T.Nagar, Chennai - 600017. Ph : 044 - 4212 9252 Telefax : 044 - 2435 0493 E-mail : info@tsoc.com</small>
1739		DRAWING TYPE :	WORKING DRAWING			DATE	07.10.2025	DRN	K.D	
						R.DATE	-	CHKD	K.S	



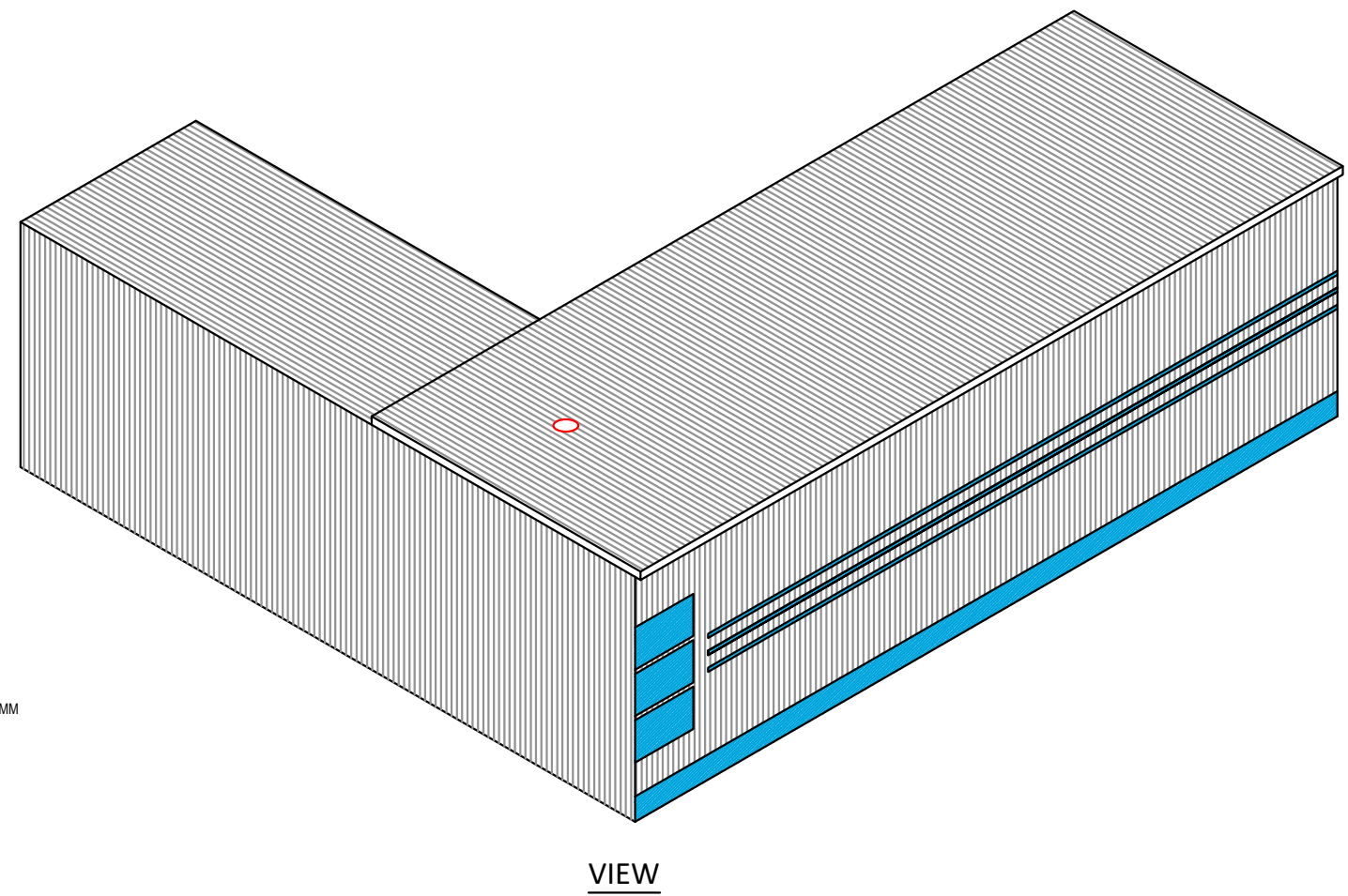
ELEVATION -A



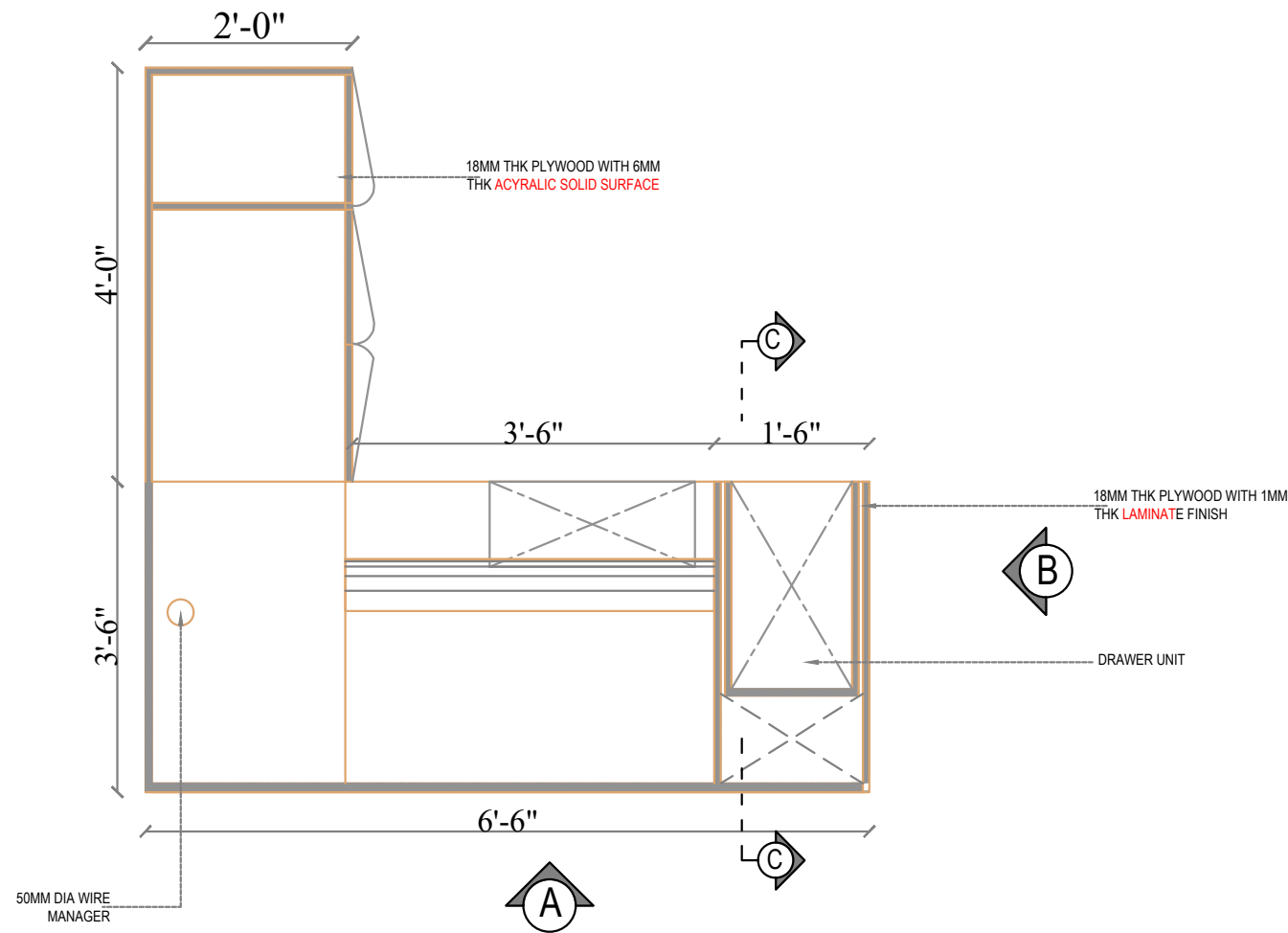
ELEVATION -B



SECTION C-C



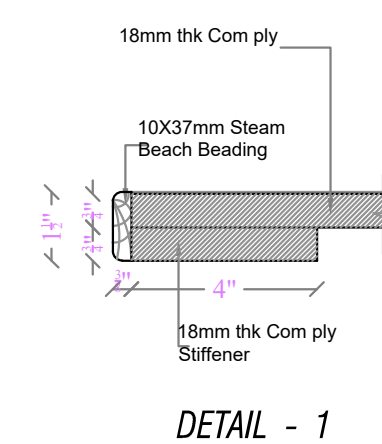
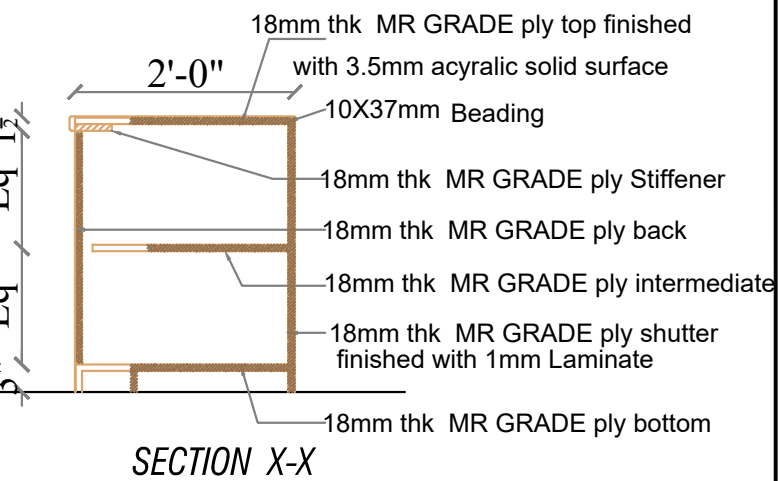
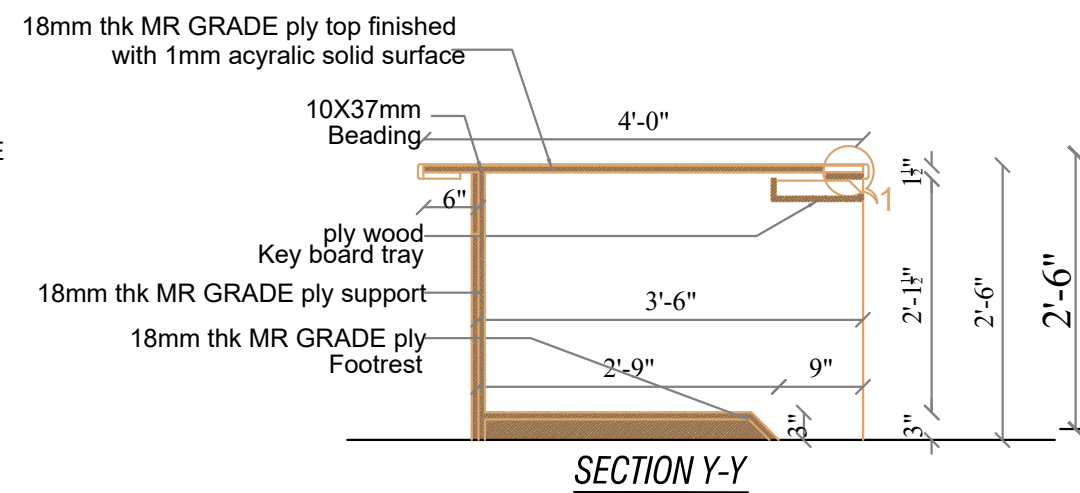
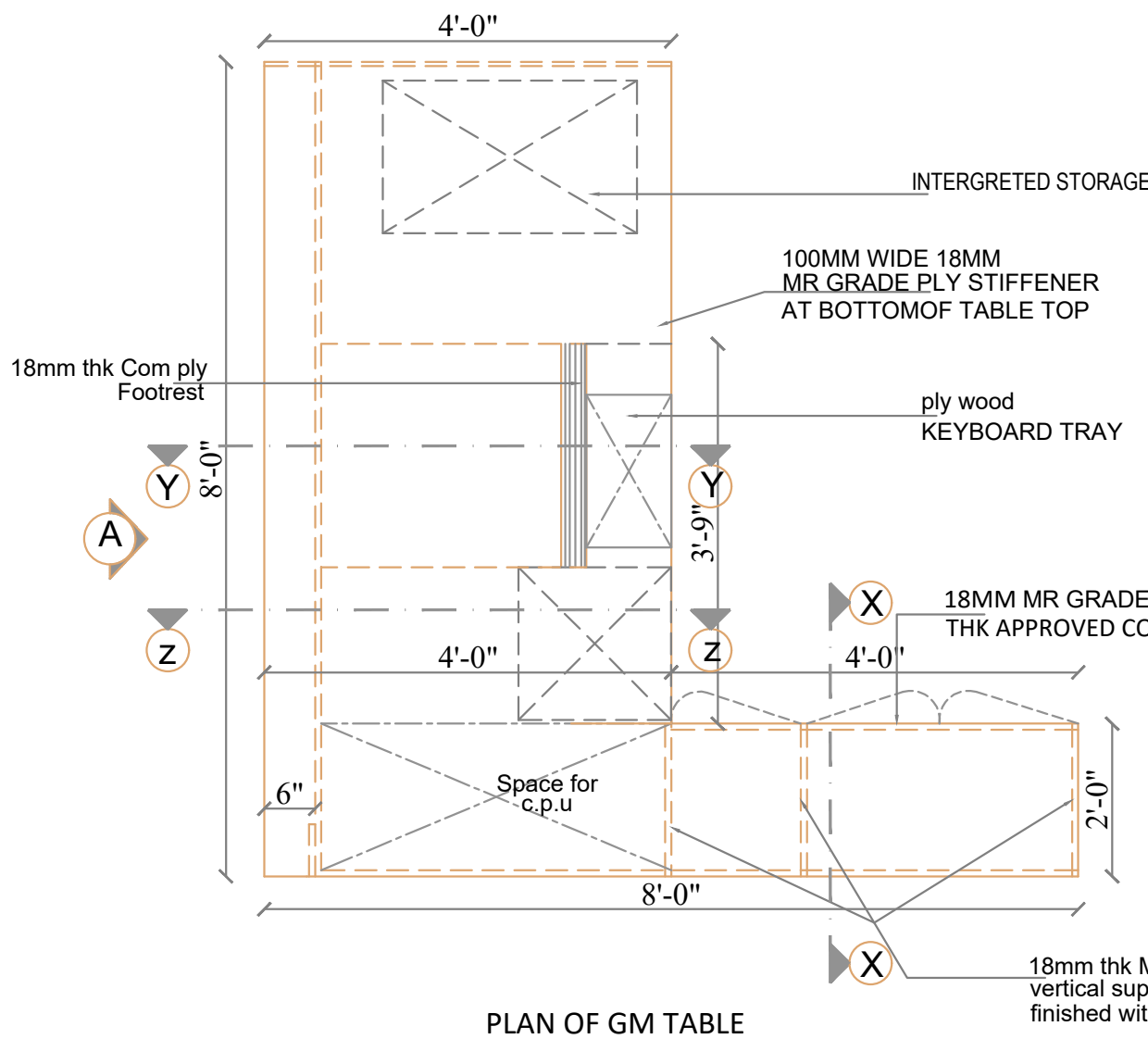
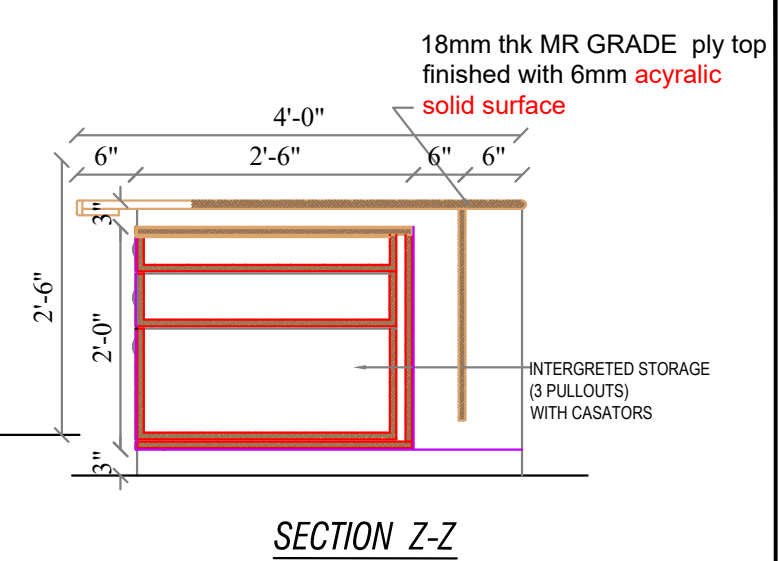
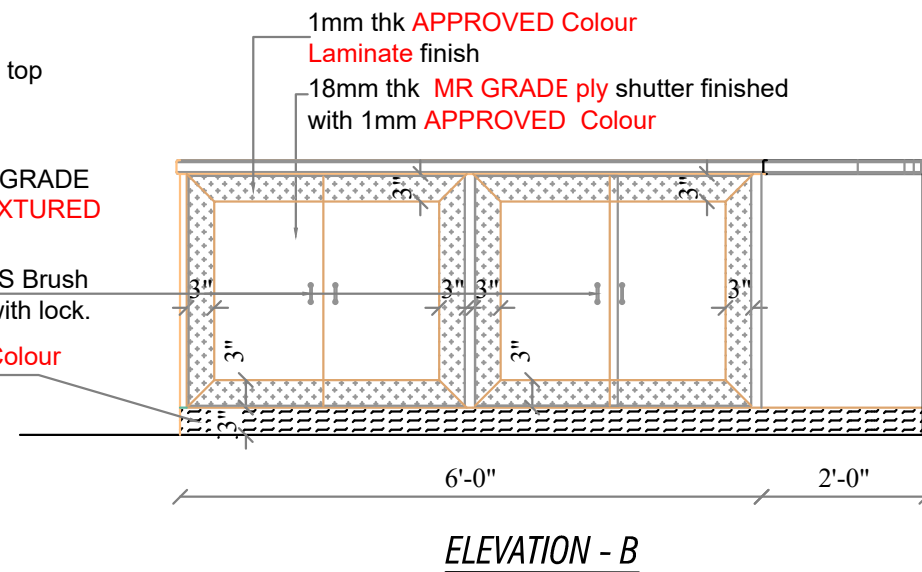
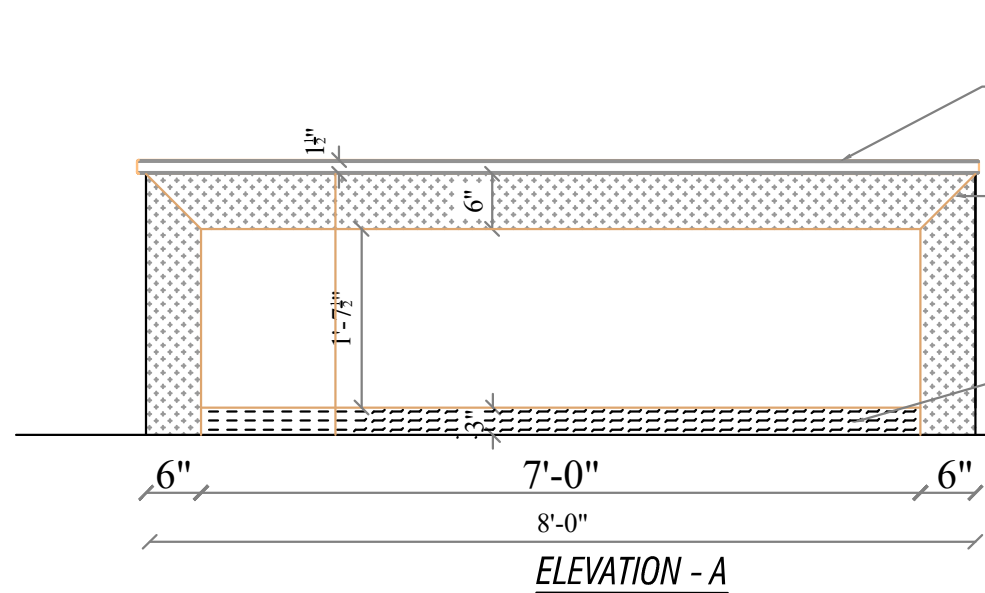
VIEW



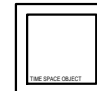
PLAN OF DGM TABLE

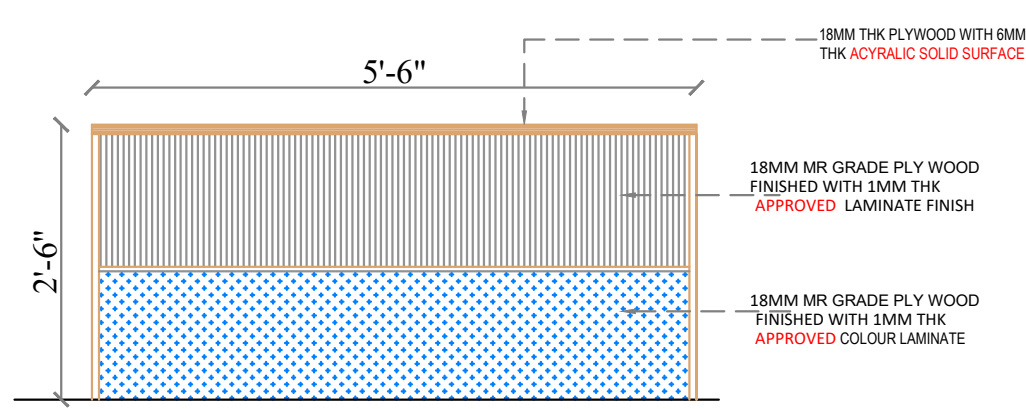
DETAIL OF AGM TABLE

JOB NO	PROJECT TITLE : PROPOSED INTERIOR DESIGN FOR CANARA BANK CIRCLE OFFICE SAMBAKULAM ROAD, MADURAI.	DRAWING TITLE :	AGM TABLE DETAIL	DESIGN STAGE	SCALE	N.T.S	DRG NO	DET-01	ORIENTATION	ARCHITECTS TSO DESIGN COMMUNE PVT. LTD. Architects ■ Planners ■ Interior designers <small>NEW NO.16,(OLD NO.42), Ground floor, South West Boag Road, T.Nagar, Chennai - 600017. Ph : 044 - 4212 9252 Telefax : 044 - 2435 0493 E-mail : info@tsocd.com</small>
1739		DRAWING TYPE :	WORKING DRAWING			DATE	07.10.2025	DRN	K.D	
					R.DATE	-	CHKD	K.S		

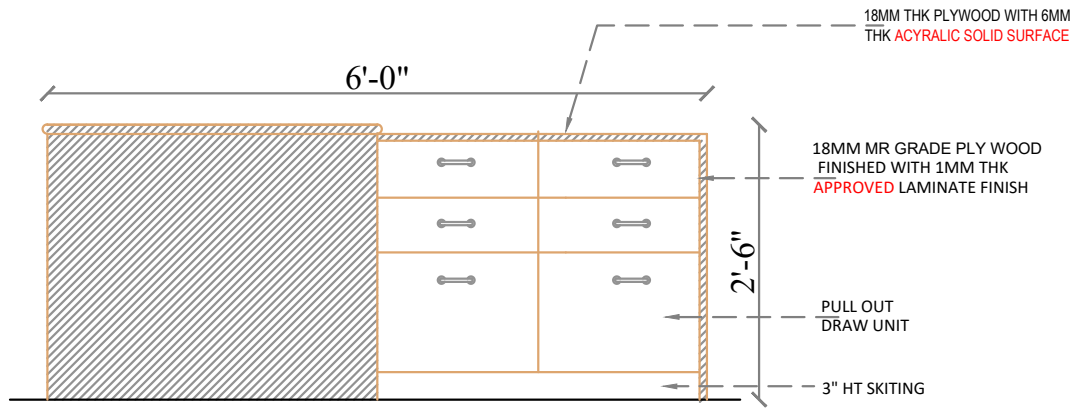


DETAIL OF GM TABLE

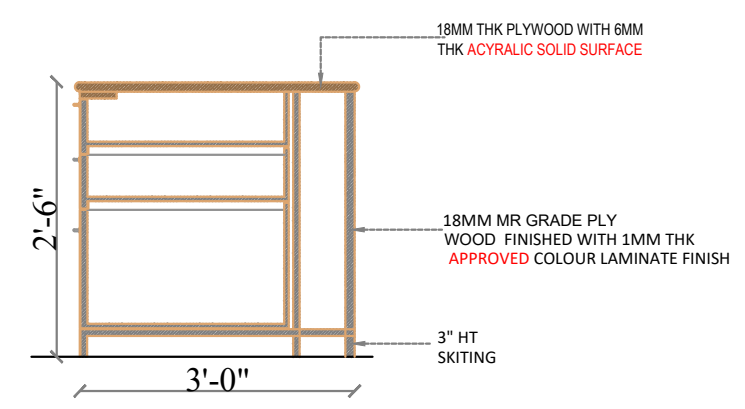
JOB NO	PROJECT TITLE :	DRAWING TITLE :	DESIGN STAGE	SCALE	N.T.S	DRG NO	DET-03	ORIENTATION	ARCHITECTS
1739	PROPOSED INTERIOR DESIGN FOR CANARA BANK CIRCLE OFFICE SAMBAKULAM ROAD, MADURAI.	GM TABLE DETAIL	SCHEME LEVEL	DATE	07.10.2025	DRN	K.D		 TSO DESIGN COMMUNE PVT. LTD. Architects ■ Planners ■ Interior designers <small>NEW NO.16 (OLD NO.42), Ground floor, South West Boag Road, T.Nagar, Chennai - 600017. Ph : 044 - 4212 9252 Telefax : 044 - 2435 0493 E-mail : info@tsodc.com</small>
		DRAWING TYPE :	FINAL COPY	R.DATE	-	CHKD	K.S		



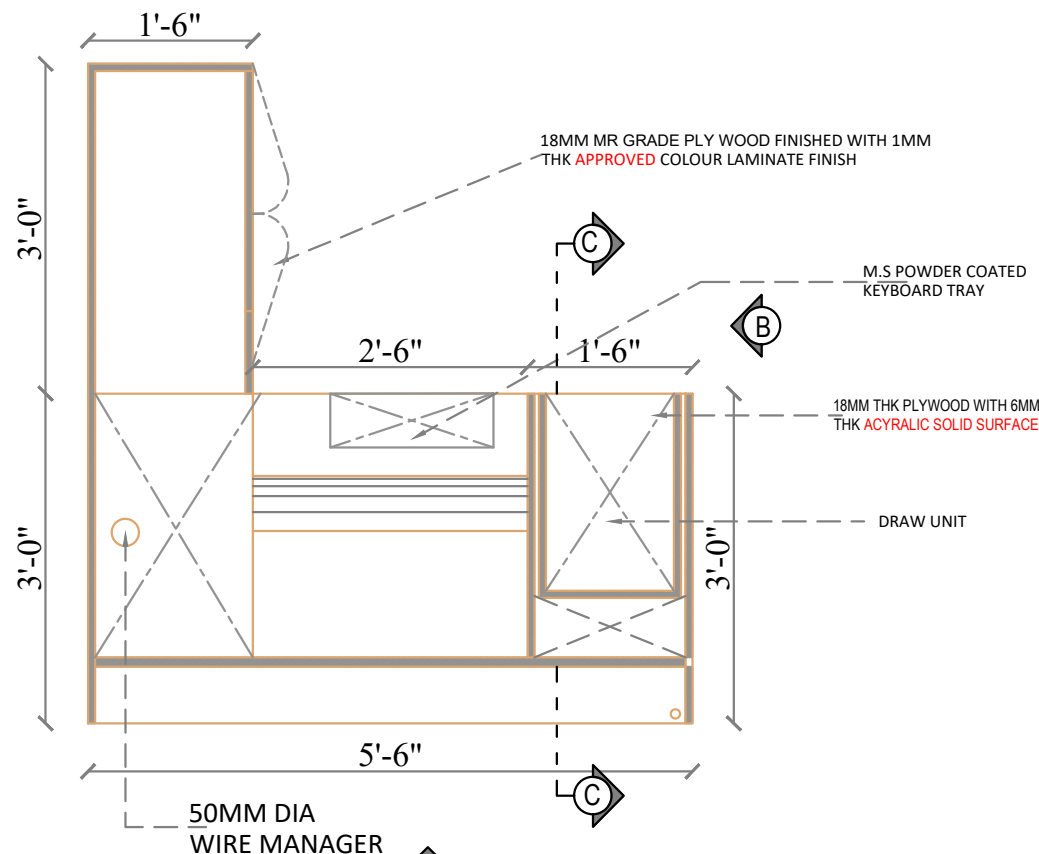
ELEVATION -A



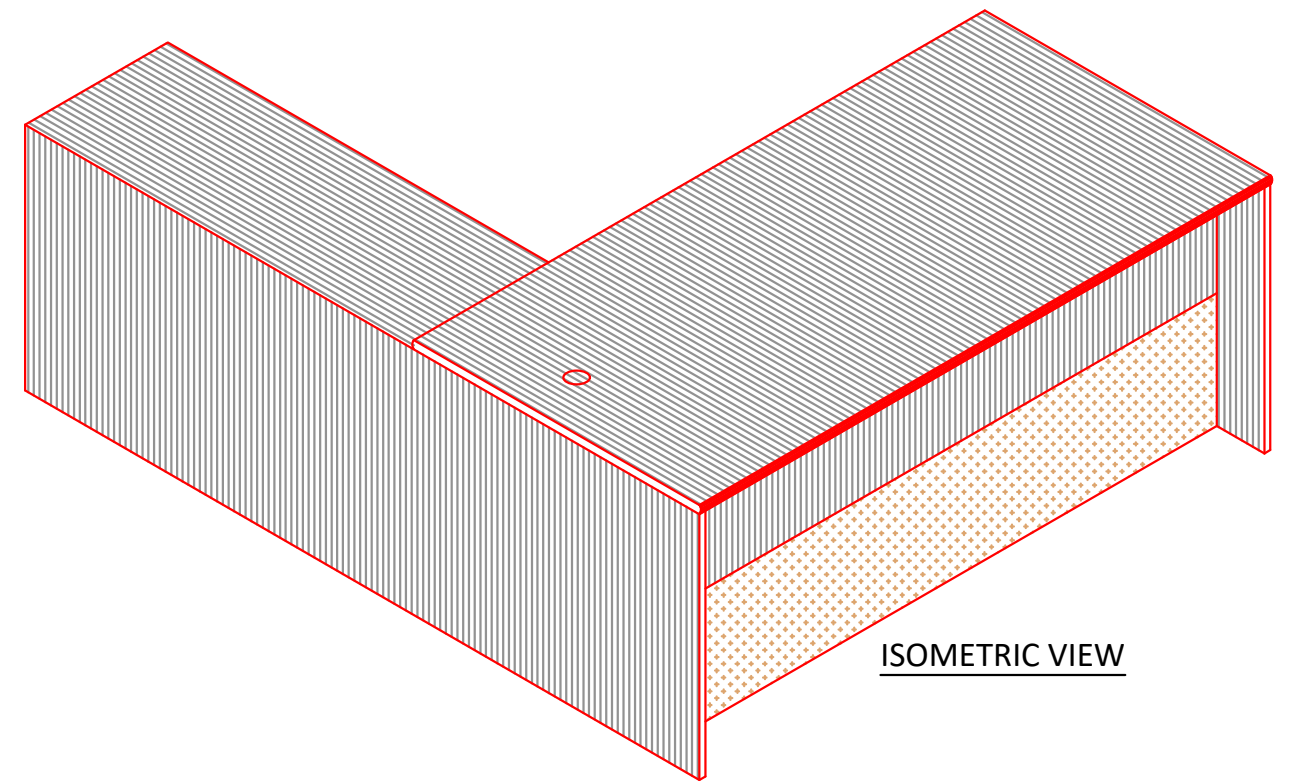
ELEVATION -B



SECTION C-C



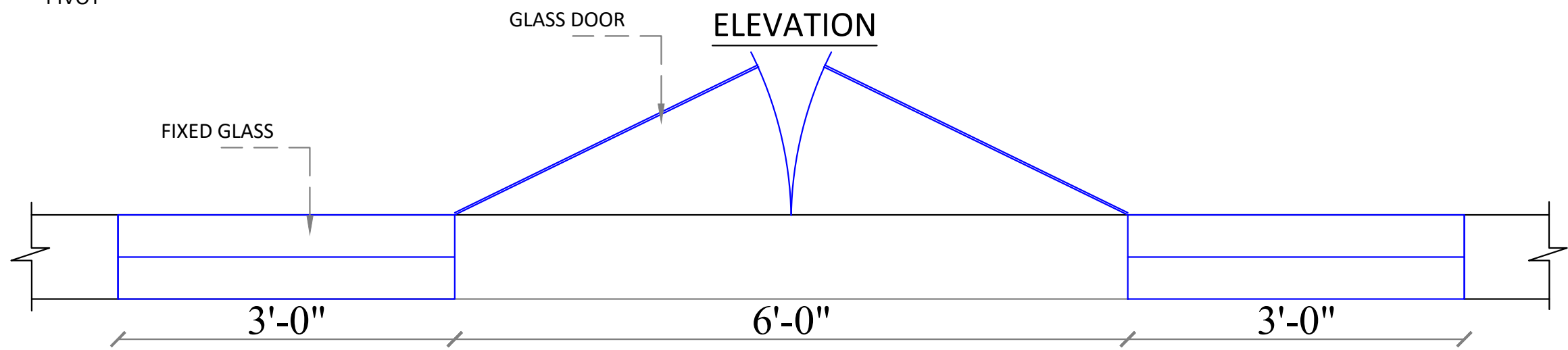
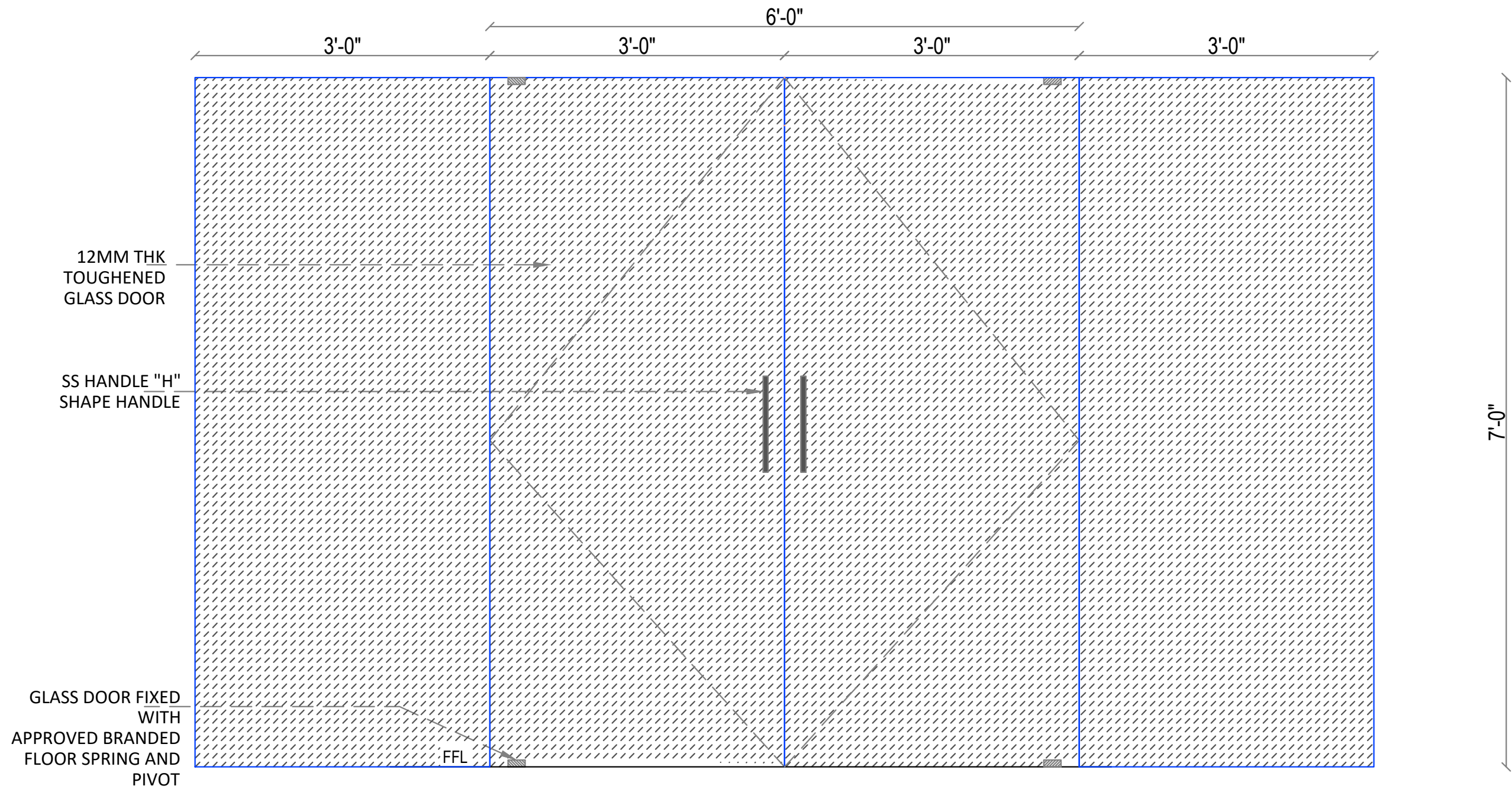
PLAN BELOW TABLE TOP



ISOMETRIC VIEW

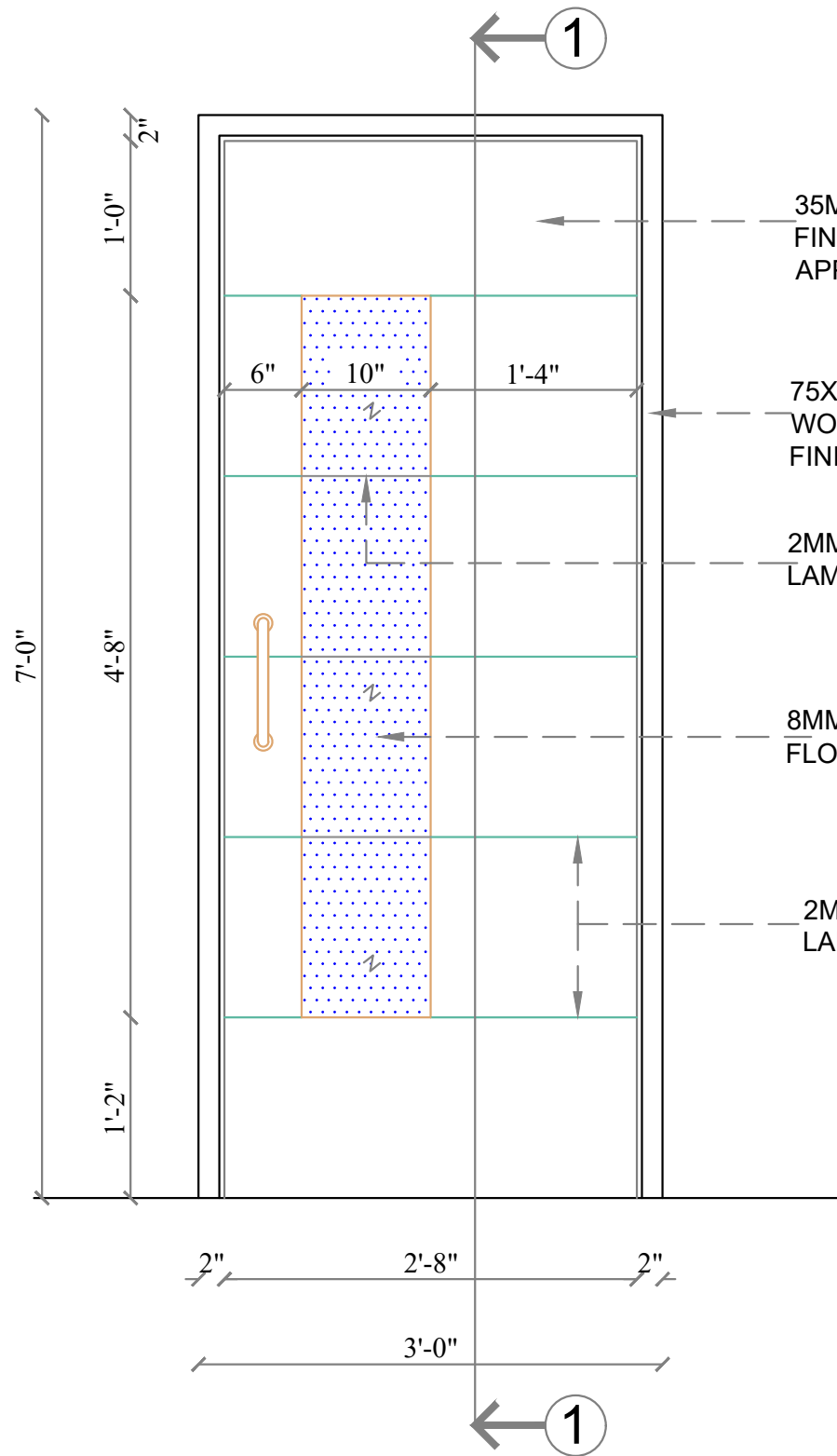
DETAIL OF DM , SM & MGR TABLE

JOB NO 1739	PROJECT TITLE: PROPOSED INTERIOR DESIGN FOR CANARA BANK CIRCLE OFFICE SAMBAKULAM ROAD, MADURAI.	DRAWING TITLE: DM , SM & MGR TABLE DETAIL	DESIGN STAGE SCHEME LEVEL	SCALE N.T.S	DATE 07.10.2025	DRG NO DET-03	ORIENTATION	ARCHITECTS TSO DESIGN COMMUNE PVT. LTD. Architects ■ Planners ■ Interior designers
		DRAWING TYPE: WORKING DRAWING	FINAL COPY	R.DATE -		DRN K.D		NEW NO.16 (OLD NO.42), Ground floor, South West Boag Road, T.Nagar, Chennai - 600017. Ph : 044 - 4212 9252 Telefax : 044 - 2435 0493 E-mail : info@tsodc.com

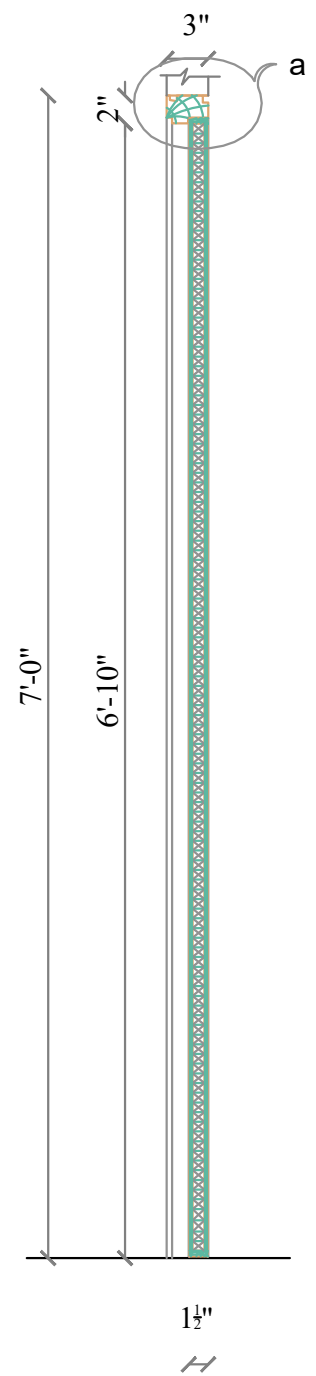


DETAIL OF MAIN ENTRANCE

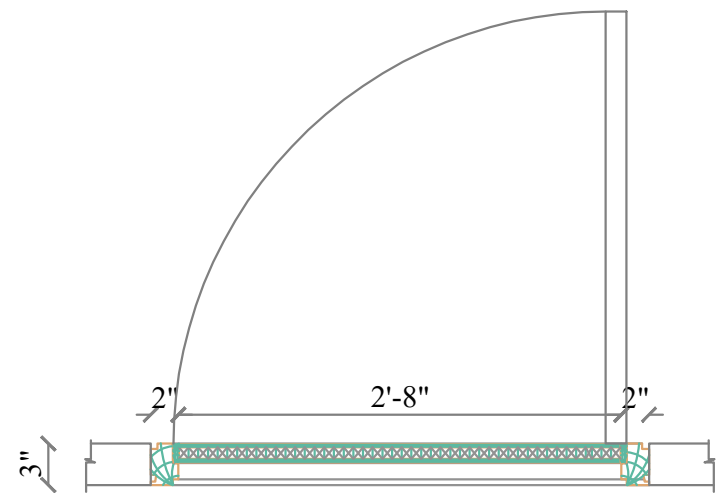
JOB NO	PROJECT TITLE: 1739	PROPOSED INTERIOR DESIGN FOR CANARA BANK CIRCLE OFFICE SAMBAKULAM ROAD, MADURAI.	DRAWING TITLE : MAIN ENTRANCE	DESIGN STAGE	SCALE	N.T.S	DRG NO	DET-01	ORIENTATION	ARCHITECTS TSO DESIGN COMMUNE PVT. LTD. Architects ■ Planners ■ Interior designers <small>NEW NO.16,(OLD NO.42), Ground floor, South West Boag Road, T.Nagar, Chennai - 600017. Ph : 044 - 4212 9252 Telefax : 044 - 2435 0493 E-mail : info@tsoc.com</small>
			DRAWING TYPE : WORKING DRAWING	<div style="display: flex; align-items: center;"> <div style="width: 15px; height: 10px; border: 1px solid black; margin-right: 5px;"></div> SCHEME LEVEL </div> <div style="display: flex; align-items: center;"> <div style="width: 15px; height: 10px; background: repeating-linear-gradient(45deg, transparent, transparent 2px, black 2px, black 4px); margin-right: 5px;"></div> FINAL COPY </div>	DATE	25.09.2025	DRN	K.D		
				R.DATE	-	CHKD	K.S			



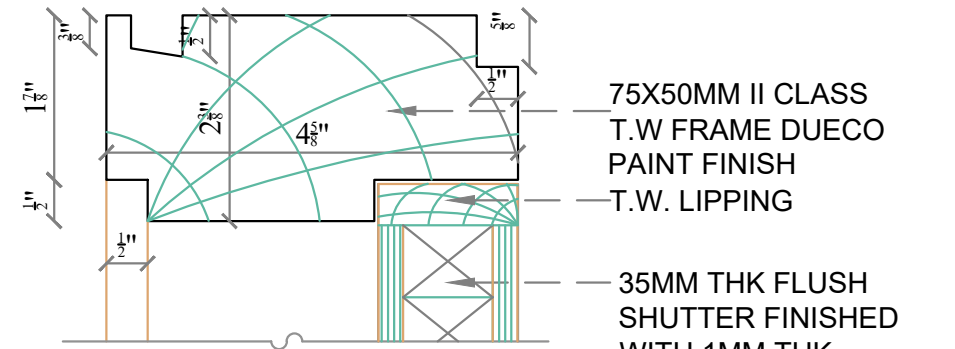
ELEVATION -A



SECTION 1-1



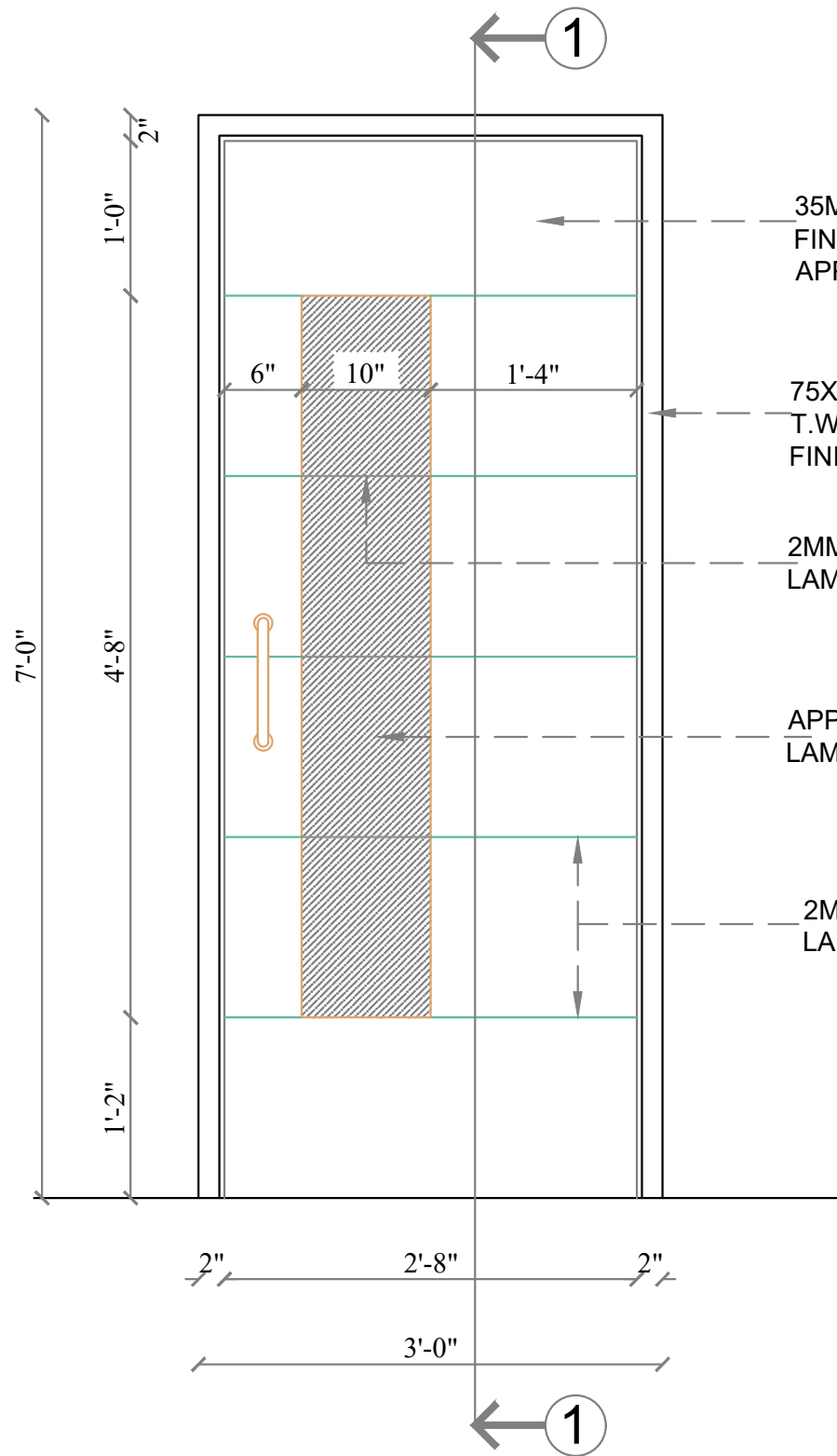
PLAN FOR PARTLY GLASS DOOR



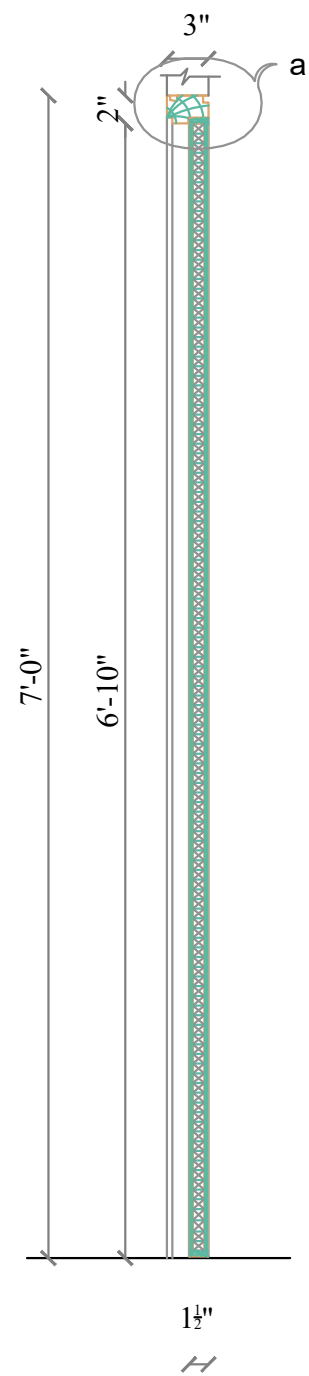
DETAIL -A

DETAIL OF PARTLY GLASS DOOR

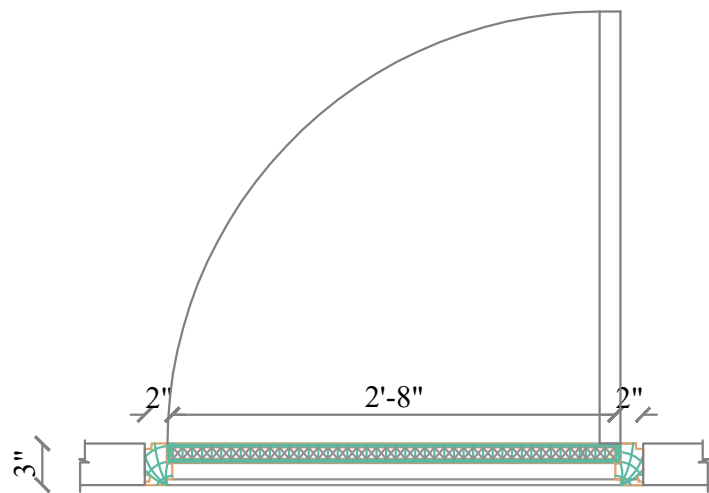
JOB NO	1739	PROJECT TITLE:	PROPOSED INTERIOR DESIGN FOR CANARA BANK CIRCLE OFFICE SAMBAKULAM ROAD, MADURAI.	DRAWING TITLE:	PARTLY GLASS DOOR	DESIGN STAGE	SCHEME LEVEL	SCALE	N.T.S	DRG NO	DET-01	ORIENTATION	ARCHITECTS
		DRAWING TYPE:	WORKING DRAWING				FINAL COPY	DATE	07.10.2025	DRN	K.D		 TSO DESIGN COMMUNE PVT. LTD. Architects ■ Planners ■ Interior designers <small>NEW NO.16, (OLD NO.42), Ground floor, South West Bypass Road, Thiruvananthapuram - 695017. Ph: 044-4213 8253 Textfax: 044-4213 0453 E-mail: info@tsoindia.com</small>
								R.DATE	-	CHKD	K.S		



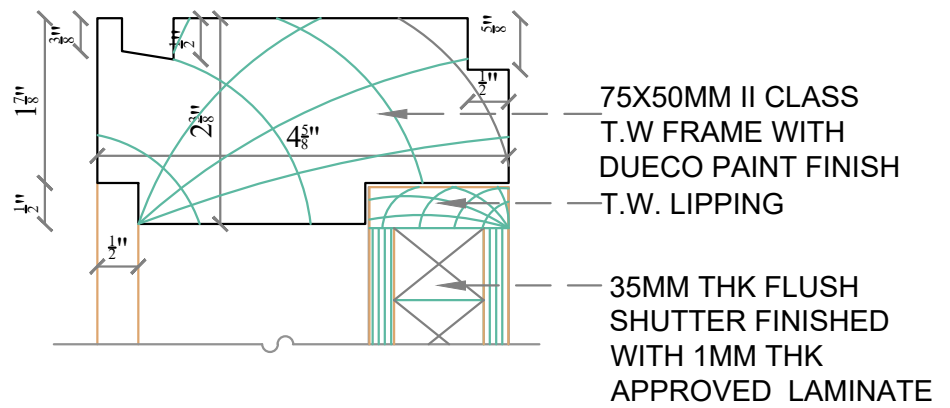
ELEVATION -A



SECTION 1-1



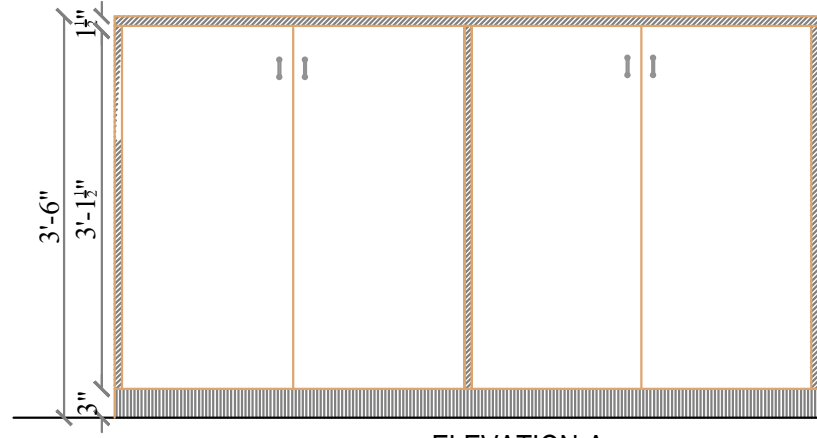
PLAN FOR SOLID DOOR



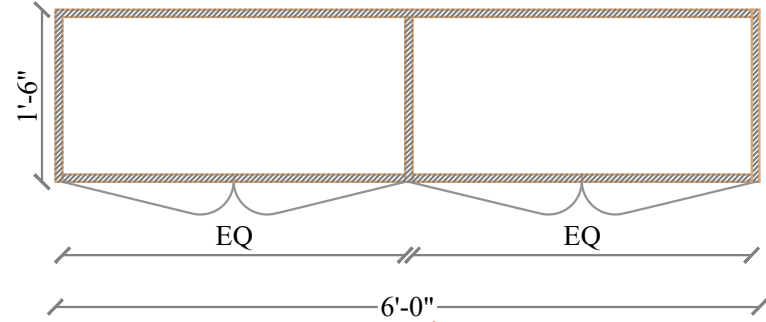
DETAIL -A

DETAIL OF SOLID DOOR

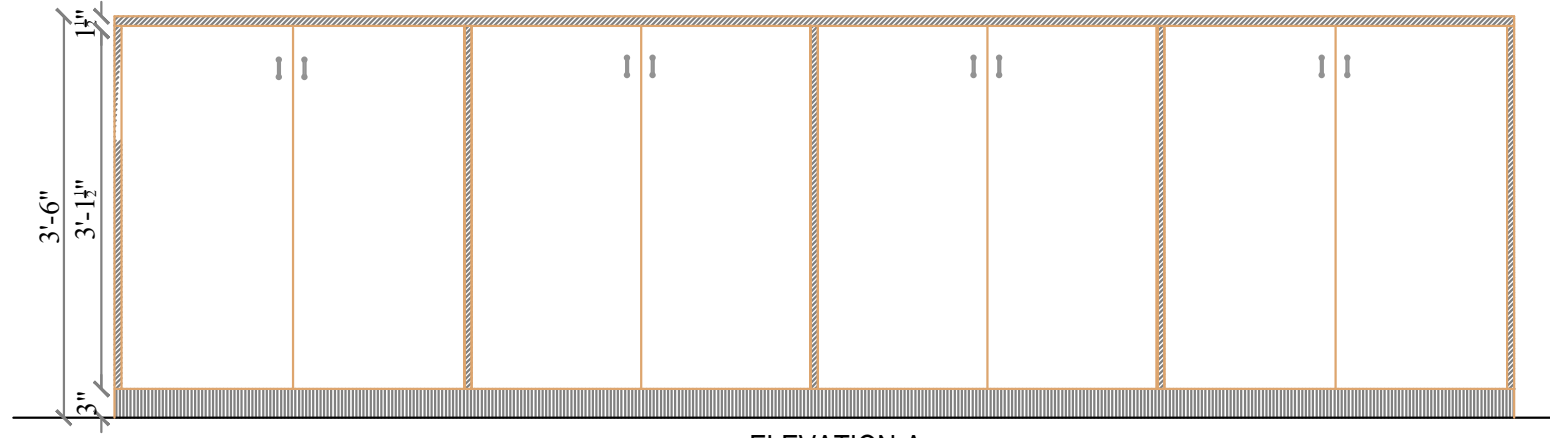
JOB NO 1739	PROJECT TITLE: PROPOSED INTERIOR DESIGN FOR CANARA BANK CIRCLE OFFICE SAMBAKULAM ROAD, MADURAI.	DRAWING TITLE: SOLID DOOR DETAIL	DESIGN STAGE SCHEME LEVEL FINAL COPY	SCALE N.T.S.	DATE 07.10.2025	DRG NO DRN	DET-01 K.D	ORIENTATION	ARCHITECTS TSO DESIGN COMMUNE PVT. LTD. Architects ■ Planners ■ Interior designers NEW NO.16, (OLD NO.42), Ground floor, South West Bypass Road, T Nagar, Chennai - 600017. Ph: 044 - 4213 8252 Telex: 044 - 4213 0423 E-mail: info@tsodc.com
		DRAWING TYPE: WORKING DRAWING		R.DATE -		CHKD K.S			



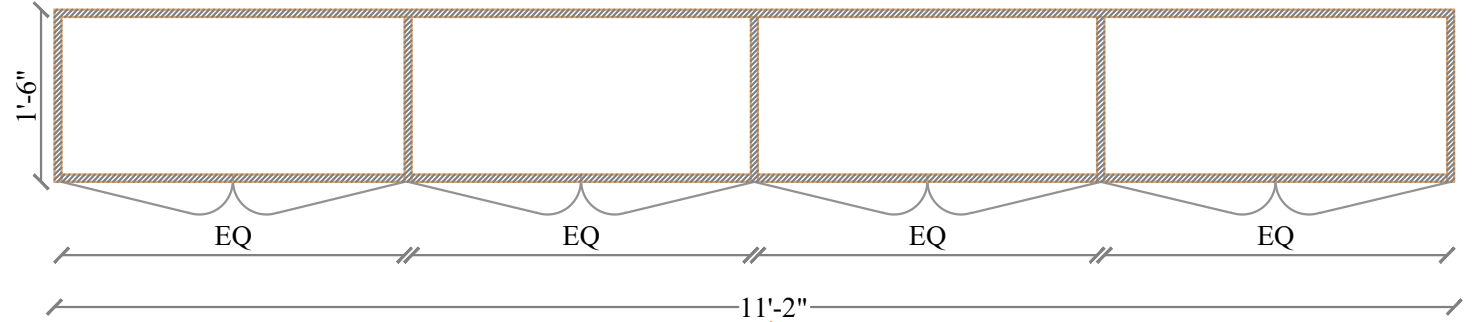
ELEVATION-A



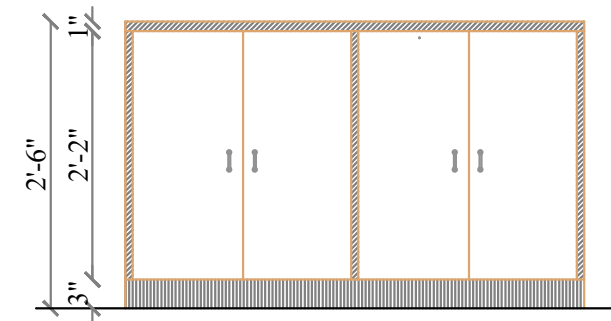
CABIN BACK SIDE
STORAGE PLAN(3'-6" HT)



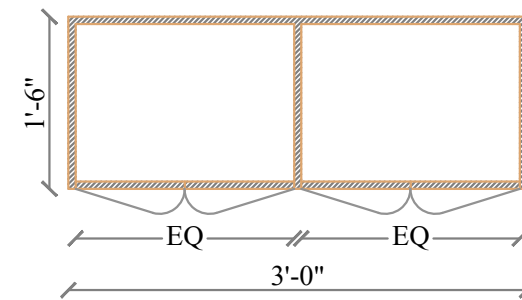
ELEVATION-A



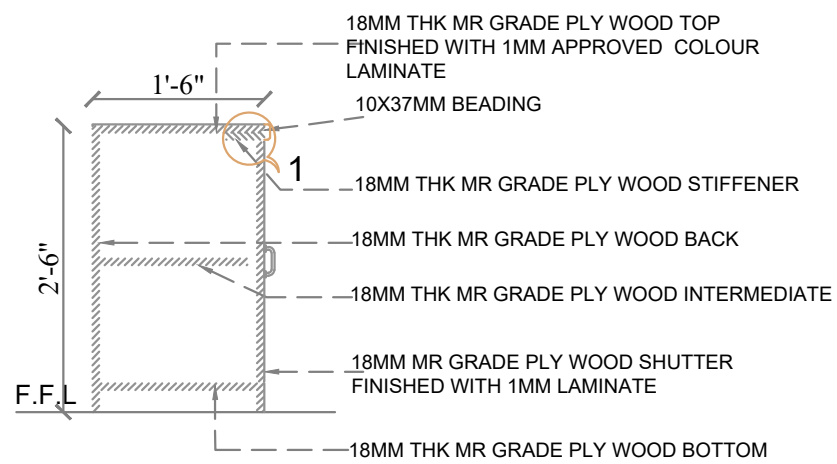
CABIN BACK SIDE
STORAGE PLAN(3'-6" HT)



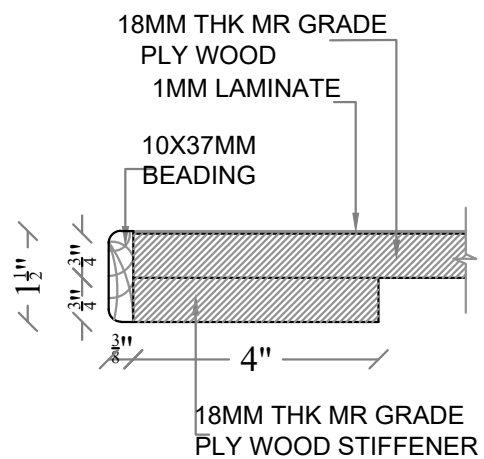
ELEVATION-A



OFFICER BACK SIDE
STORAGE PLAN (2'-6" HT)



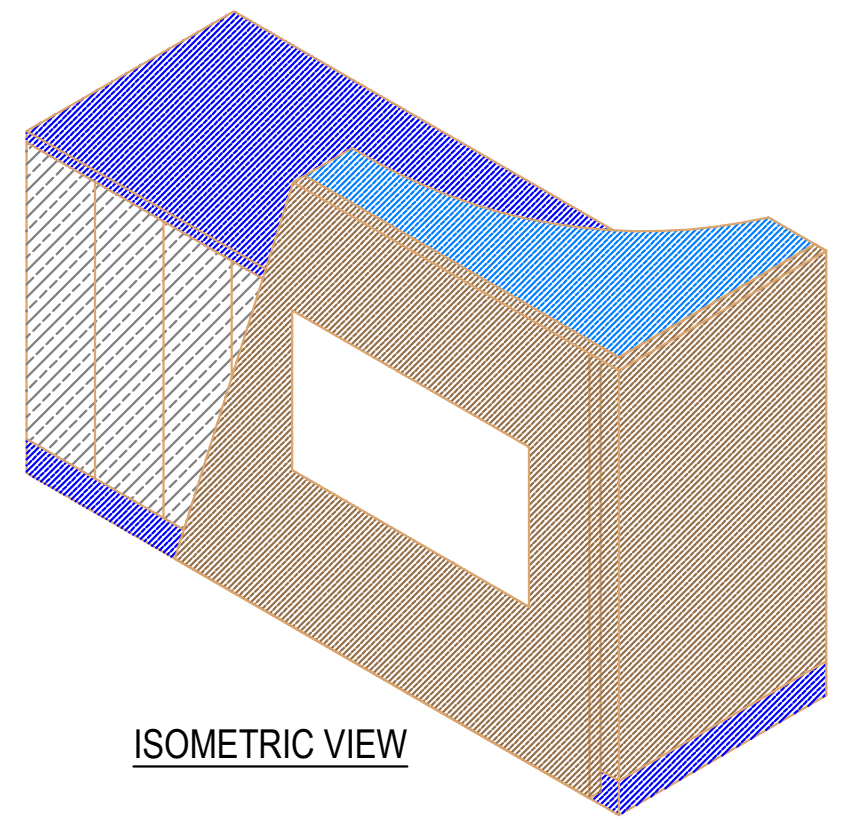
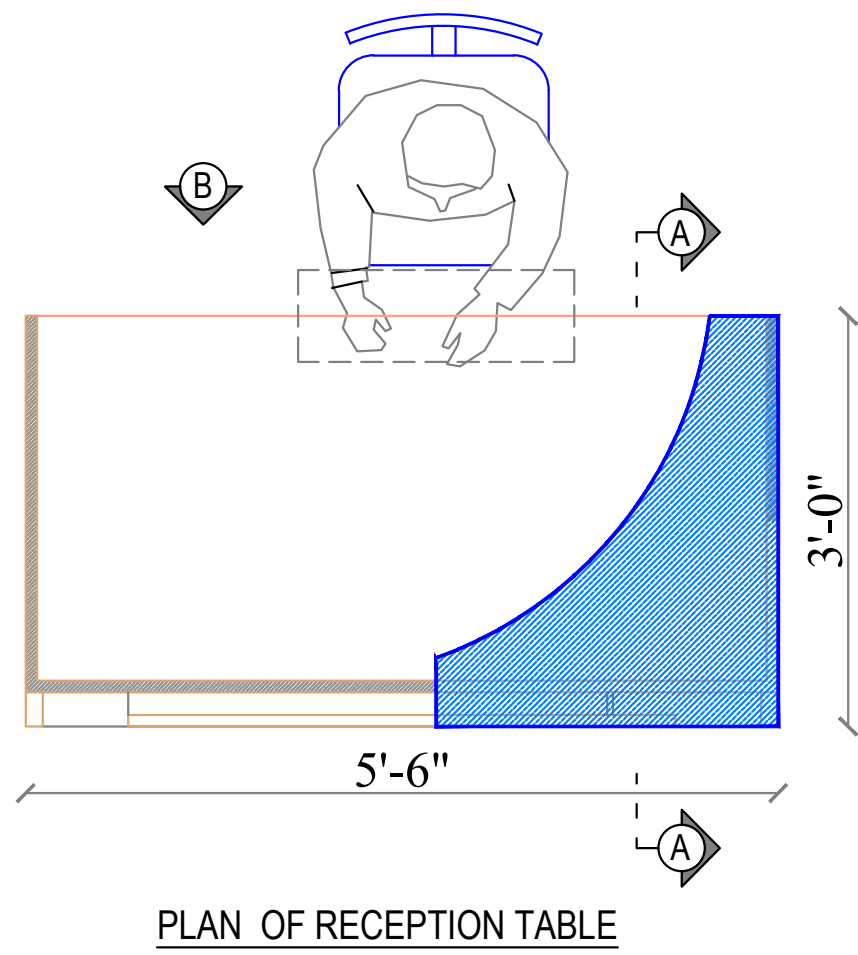
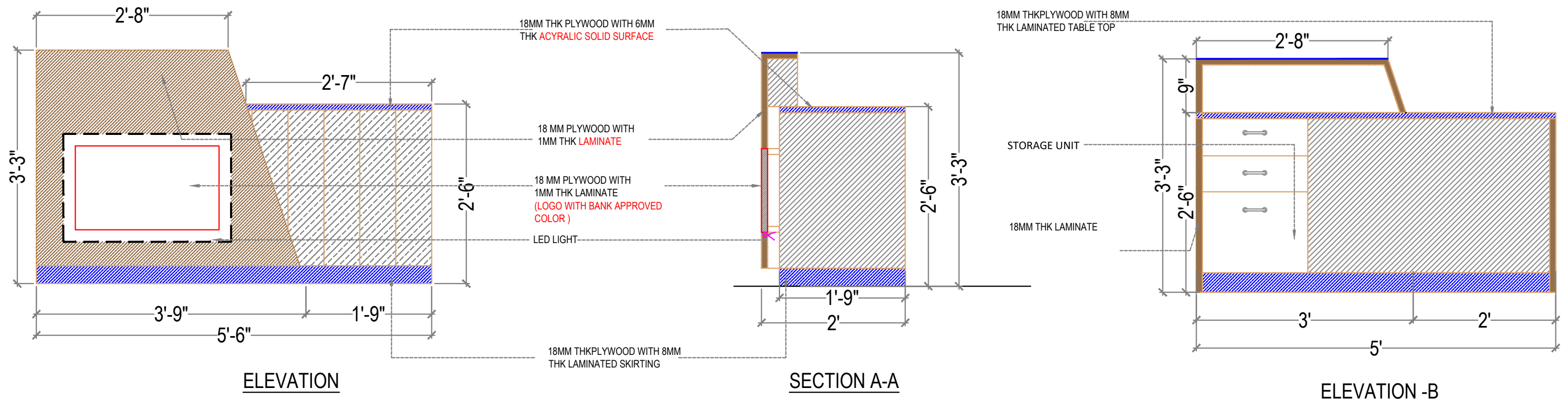
SECTION X-X



DETAIL-1

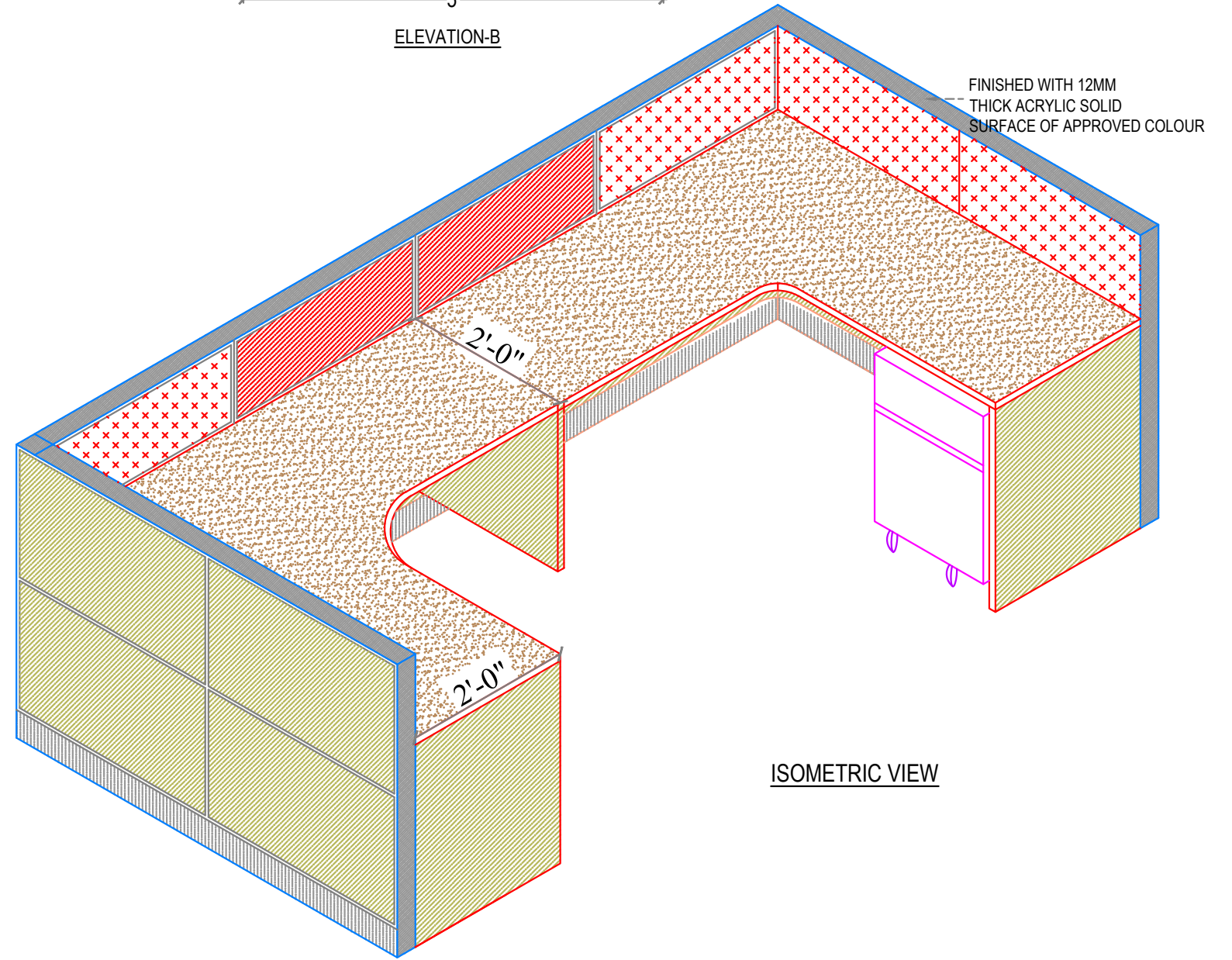
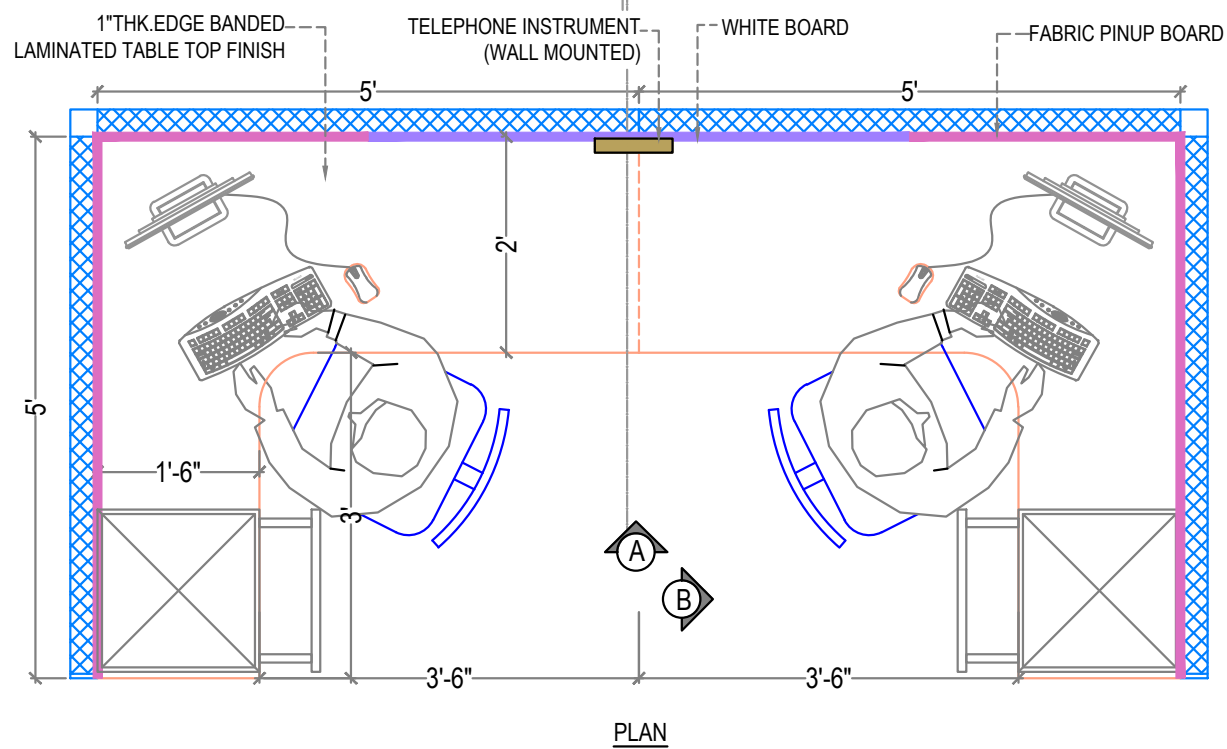
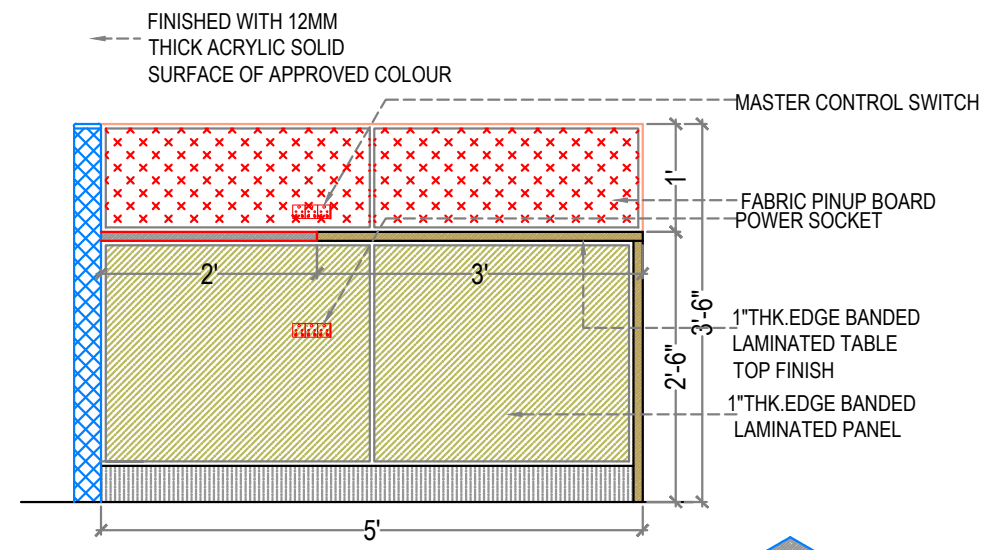
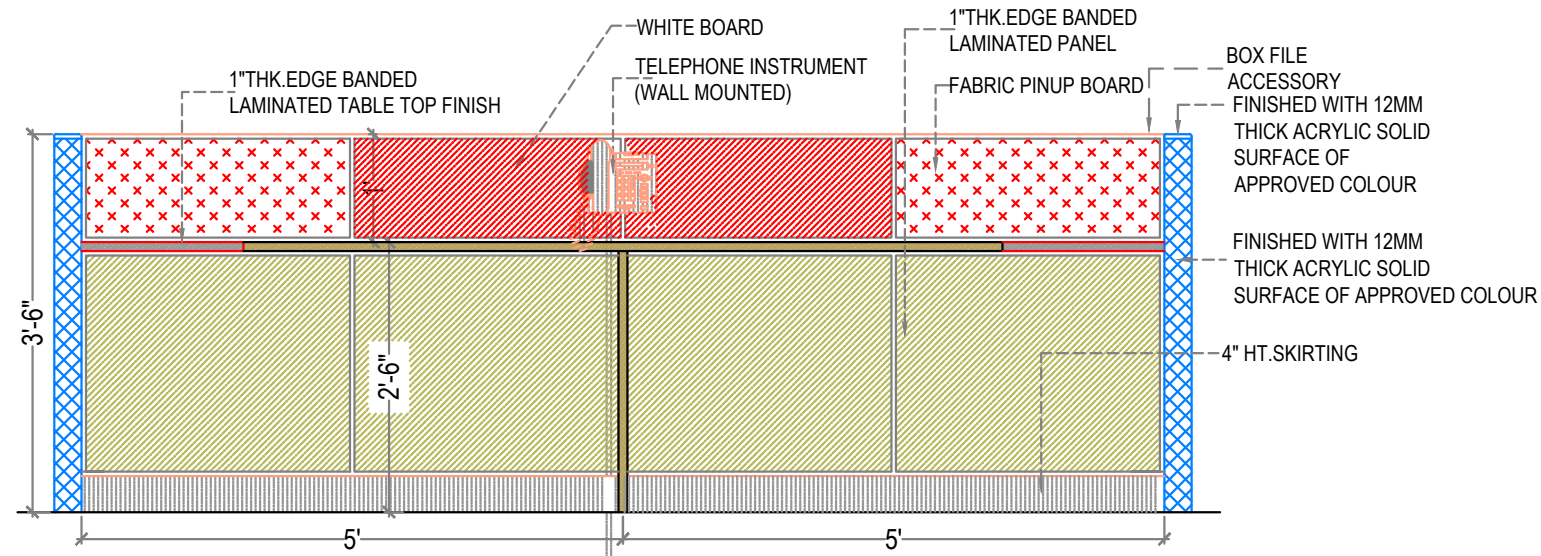
DETAIL OF 2'6" & 3'6" STORAGE

JOB NO	PROJECT TITLE : PROPOSED INTERIOR DESIGN FOR CANARA BANK CIRCLE OFFICE SAMBAKULAM ROAD, MADURAI.	DRAWING TITLE :	STORAGE DETAIL	DESIGN STAGE	SCALE	N.T.S	DRG NO	DET-01	ORIENTATION	ARCHITECTS TSO DESIGN COMMUNE PVT. LTD. Architects ■ Planners ■ Interior designers <small>NEW NO.16,(OLD NO.42), Ground floor, South West Boag Road, T.Nagar, Chennai - 600017, Ph : 044 - 4212 9252 Telefax : 044 - 2435 0493 E-mail : info@tsodc.com</small>
1739		DRAWING TYPE :	WORKING DRAWING	SCHEME LEVEL	DATE	07.10.2025	DRN	K.D		
				FINAL COPY	R.DATE	-	CHKD	K.S		



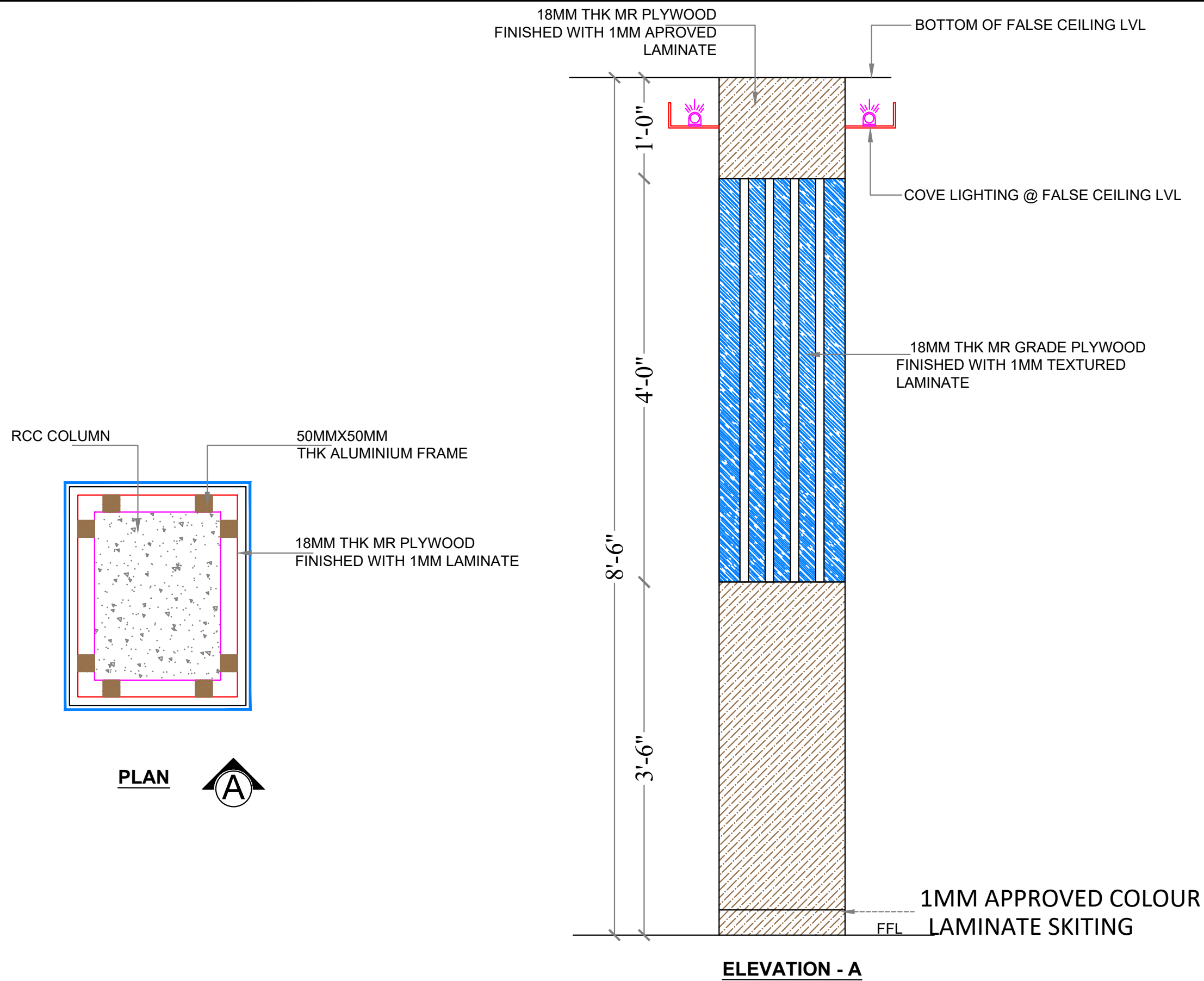
DETAIL OF RECEPTION TABLE

JOB NO	1739 PROJECT TITLE : PROPOSED INTERIOR DESIGN FOR CANARA BANK CIRCLE OFFICE SAMBAKULAM ROAD, MADURAI.	DRAWING TITLE : RECEPTION TABLE DRAWING TYPE : WORKING DRAWING	DESIGN STAGE SCHEME LEVEL FINAL COPY	SCALE	N.T.S	DRG NO	DET-01	ORIENTATION	ARCHITECTS TSO DESIGN COMMUNE PVT. LTD. Architects ■ Planners ■ Interior designers <small>NEW NO.16,(OLD NO.42), Ground floor, South West Boag Road, T.Nagar, Chennai - 600017. Ph : 044 - 4212 9252. Telefax : 044 - 2435 0493 E-mail : info@tsodc.com</small>
				DATE	07.10.2025	DRN	K.D		
				R.DATE	-	CHKD	K.S		



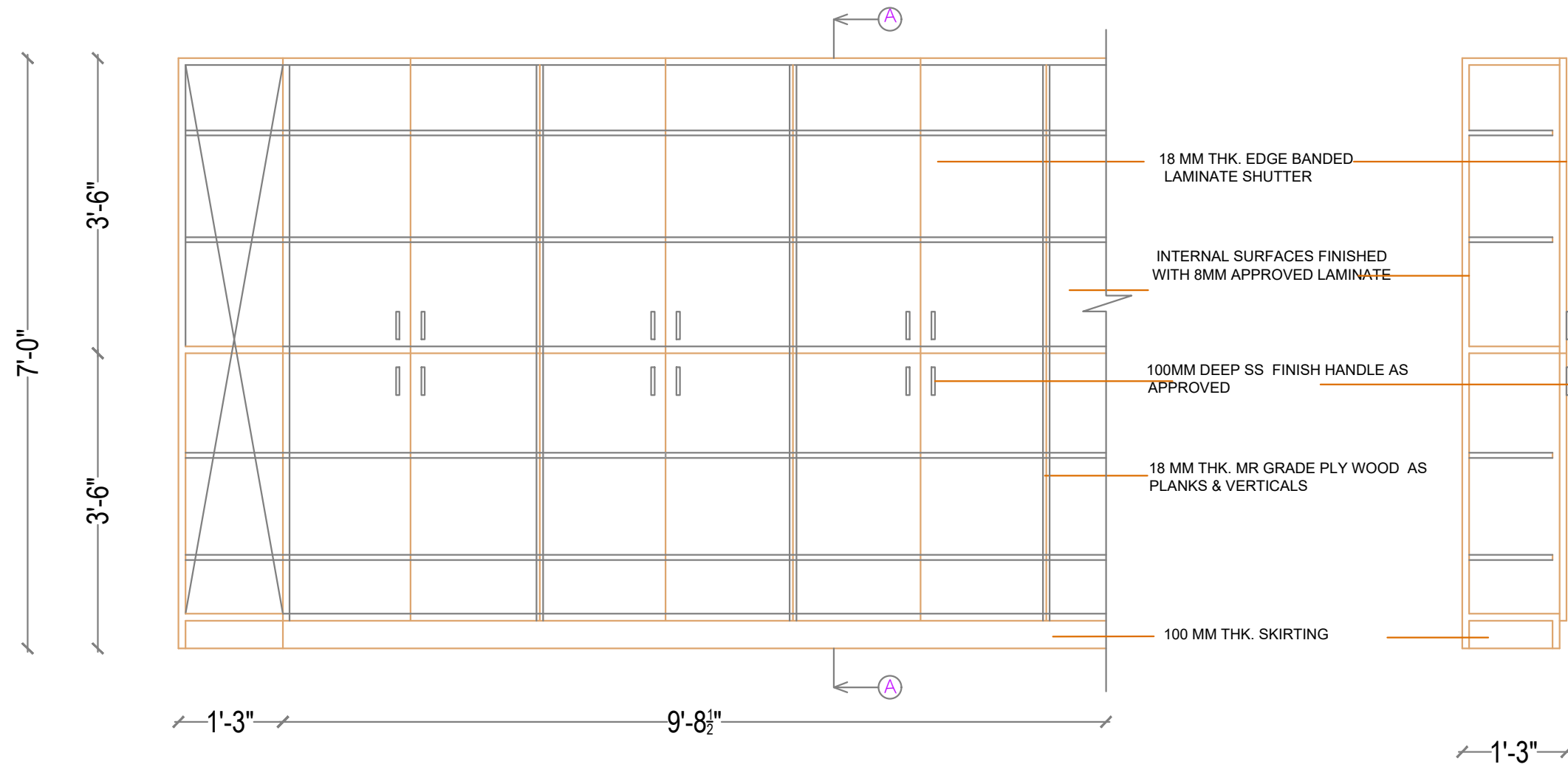
DETAIL OF WORK STATION TABLE

JOB NO	1739	PROJECT TITLE: PROPOSED INTERIOR DESIGN FOR CANARA BANK CIRCLE OFFICE SAMBAKULAM ROAD, MADURAI.	DRAWING TITLE: WORK STATION DETAIL	DRAWING TYPE: WORKING DRAWING	DESIGN STAGE	SCALE	N.T.S	DRG NO	DET-01	ORIENTATION	ARCHITECTS
					<div style="border: 1px solid black; width: 15px; height: 10px; display: inline-block;"></div> SCHEME LEVEL <div style="border: 1px solid black; width: 15px; height: 10px; background-color: #ccc; display: inline-block;"></div> FINAL COPY	DATE	07.10.2025	DRN	K.D		<div style="border: 1px solid black; width: 15px; height: 10px; display: inline-block;"></div> THE SPACE GROUP
						R.DATE	-	CHKD	K.S		TSO DESIGN COMMUNE PVT. LTD. Architects ■ Planners ■ Interior designers <small>NEW NO.16,(OLD NO.42), Ground floor, South West Boag Road, T.Nagar, Chennai - 600017. Ph : 044 - 4212 9252 Telefax : 044 - 2435 0493 E-mail : info@tsodc.com</small>



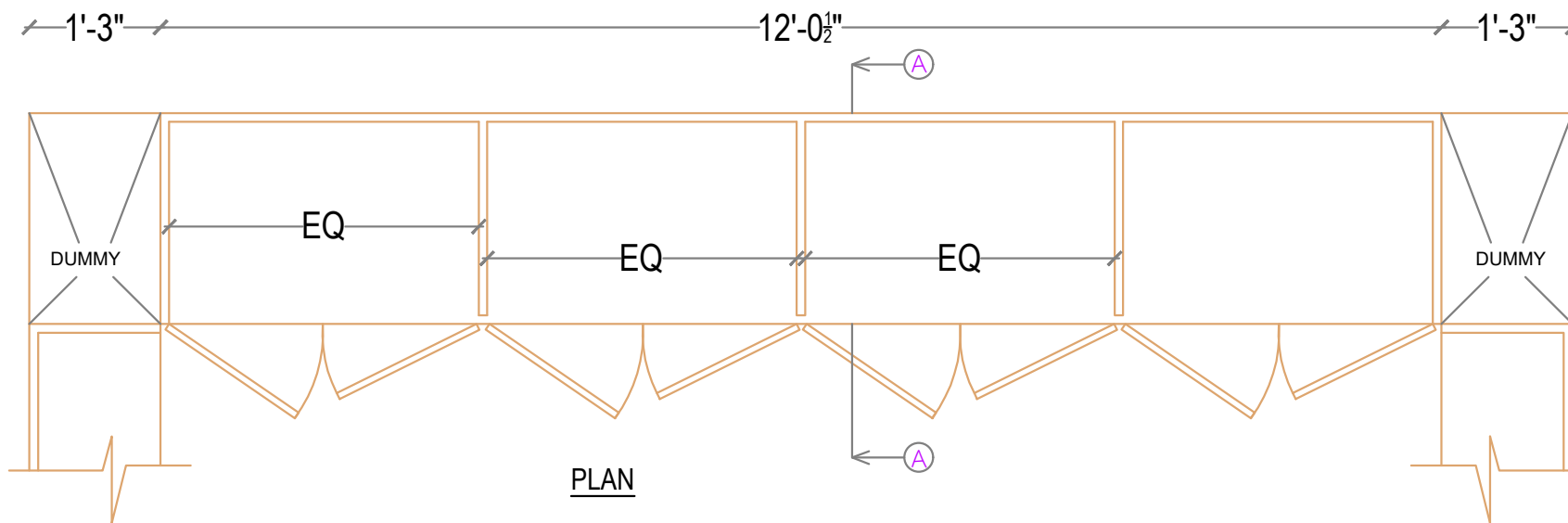
DETAIL OF COLUMN PANELLING

JOB NO		DRAWING TITLE :	COLUMN PANELLING	DESIGN STAGE	SCALE	N.T.S	DRG NO	DET-01	ORIENTATION	ARCHITECTS
1739	PROJECT TITLE : PROPOSED INTERIOR DESIGN FOR CANARA BANK CIRCLE OFFICE SAMBAKULAM ROAD, MADURAI.			<div style="display: flex; justify-content: space-between;"> <div style="border: 1px solid black; width: 20px; height: 10px; margin-bottom: 2px;"></div> SCHEME LEVEL <div style="border: 1px solid black; width: 20px; height: 10px; margin-bottom: 2px; background-color: #ccc;"></div> FINAL COPY </div>	DATE	07.10.2025	DRN	K.D		<div style="border: 1px solid black; width: 20px; height: 20px; margin-bottom: 2px;"></div> TSO DESIGN COMMUNE PVT. LTD. Architects ■ Planners ■ Interior designers <small>NEW NO. 16, (OLD NO. 42), Ground floor, South West Boag Road, T. Nagar, Chennai - 600017. Ph : 044 - 4212 9252 Telefax : 044 - 2435 0493 E-mail : info@tsodc.com</small>
		DRAWING TYPE :	WORKING DRAWING		R.DATE	-	CHKD	K.S		



ELEVATION

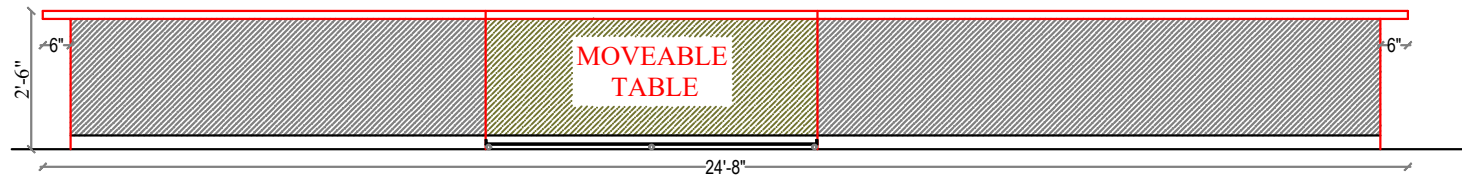
SECTION AA



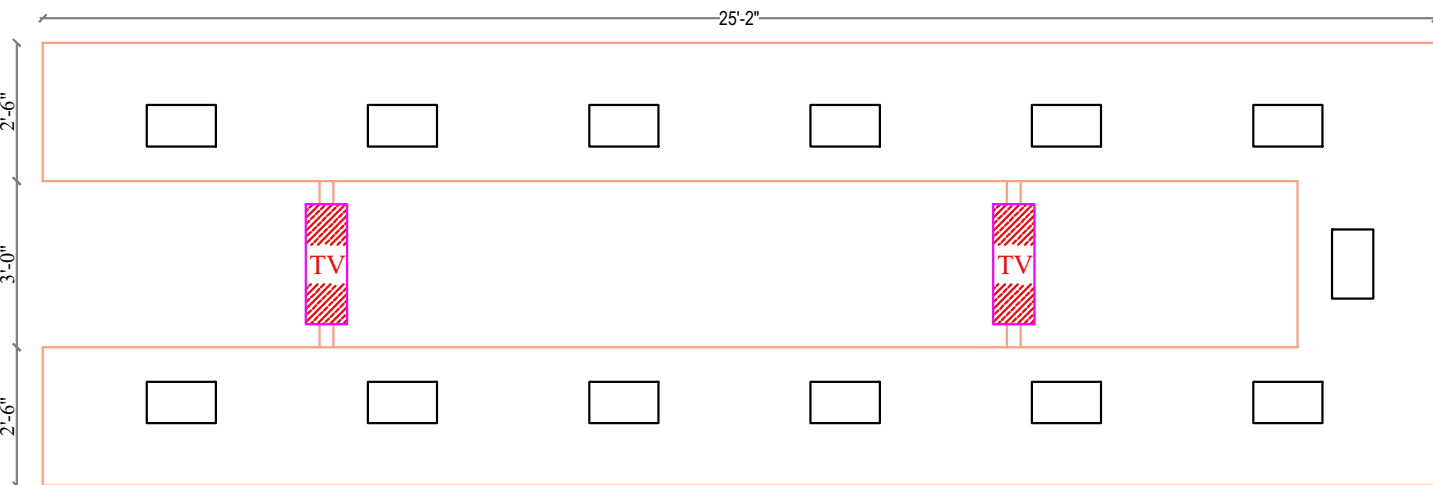
PLAN

DETAIL OF 7'-0" STORAGE

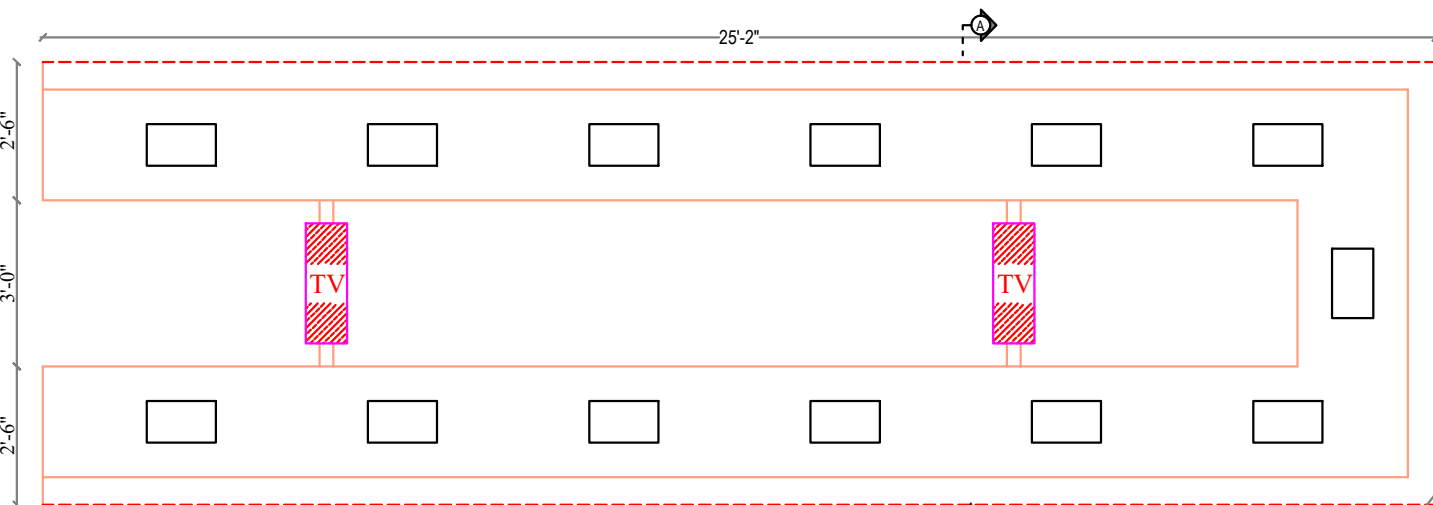
JOB NO	PROJECT TITLE : PROPOSED INTERIOR DESIGN FOR CANARA BANK CIRCLE OFFICE SAMBAKULAM ROAD, MADURAI.	DRAWING TITLE :	7'-0" HT ---STORAGE DETAIL	DESIGN STAGE	SCALE	N.T.S	DRG NO	DET-01	ORIENTATION	ARCHITECTS TSO DESIGN COMMUNE PVT. LTD. Architects ■ Planners ■ Interior designers <small>NEW NO.16,(OLD NO.42), Ground floor, South West Boag Road, T.Nagar, Chennai - 600017, Ph : 044 - 4212 9252 Telefax : 044 - 2435 0493 E-mail : info@tsodc.com</small>
1739		DRAWING TYPE :	WORKING DRAWING	<input type="checkbox"/> SCHEME LEVEL <input checked="" type="checkbox"/> FINAL COPY	DATE	07.10.2025	DRN	K.D		
				R.DATE	-	CHKD	K.S			



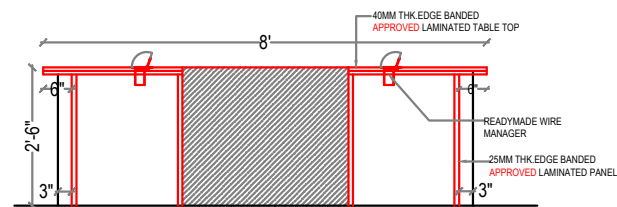
ELEVATION



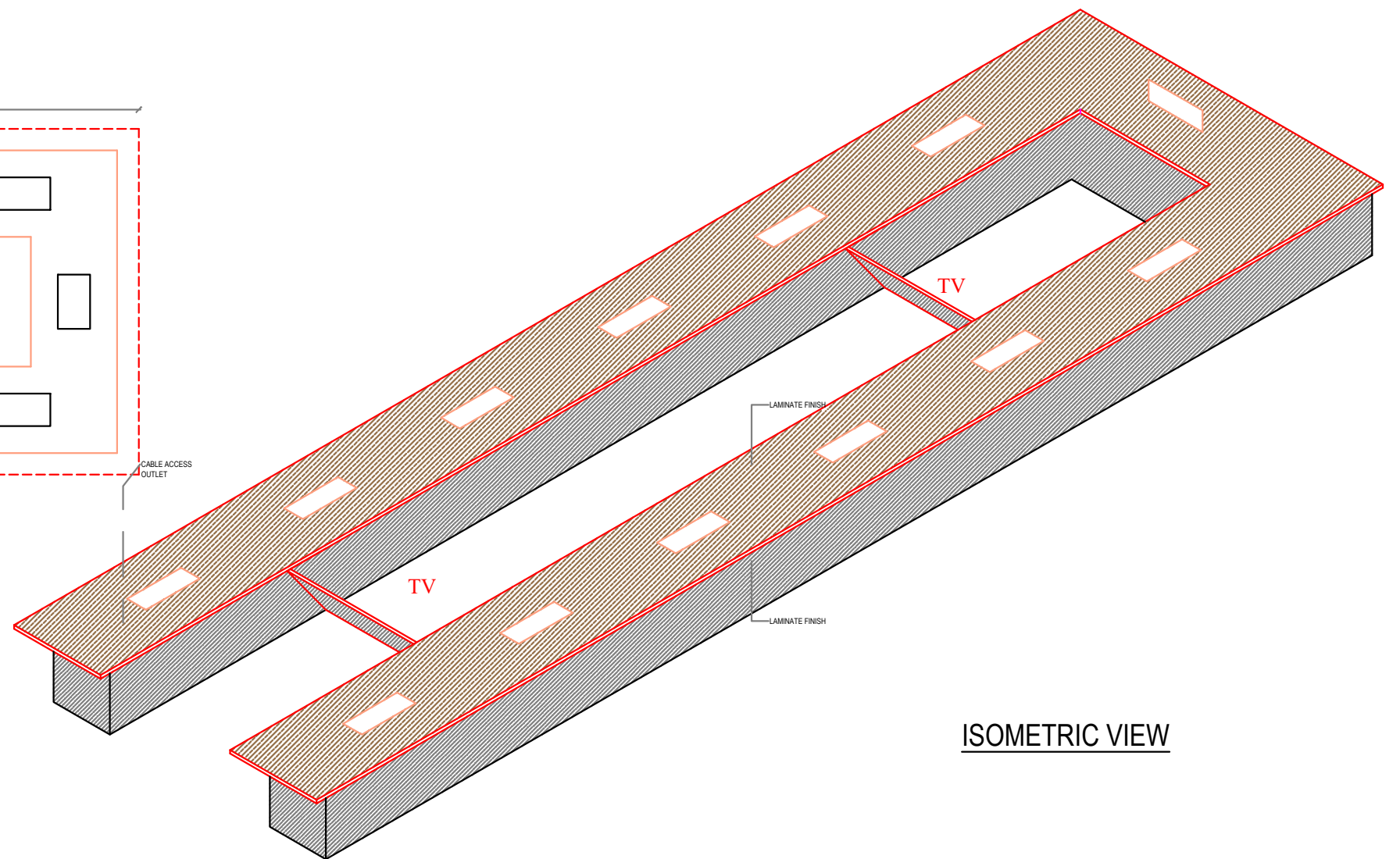
PLAN @ ABOVE +3'-0" HT



PLAN @ BELOW +2'-0" HT

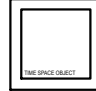




SECTION-AA



ISOMETRIC VIEW

DETAIL OF CONFERENCE TABLE

JOB NO	PROJECT TITLE :	PROPOSED INTERIOR DESIGN FOR CANARA BANK CIRCLE OFFICE SAMBAKULAM ROAD, MADURAI.	DRAWING TITLE :	CONFERENCE TABLE DETAIL	DESIGN STAGE	SCALE	N.T.S	DRG NO	DET-01	ORIENTATION	ARCHITECTS	 TSO DESIGN COMMUNE PVT. LTD. Architects ■ Planners ■ Interior designers <small>NEW NO.16,(OLD NO.42), Ground floor, South West Boag Road, T.Nagar, Chennai - 600017. Ph : 044 - 4212 9252 Telefax : 044 - 2435 0493 E-mail : info@tsodc.com</small>
1739			DRAWING TYPE :	WORKING DRAWING	 SCHEME LEVEL  FINAL COPY	DATE	07.10.2025	DRN	K.D	R.DATE		