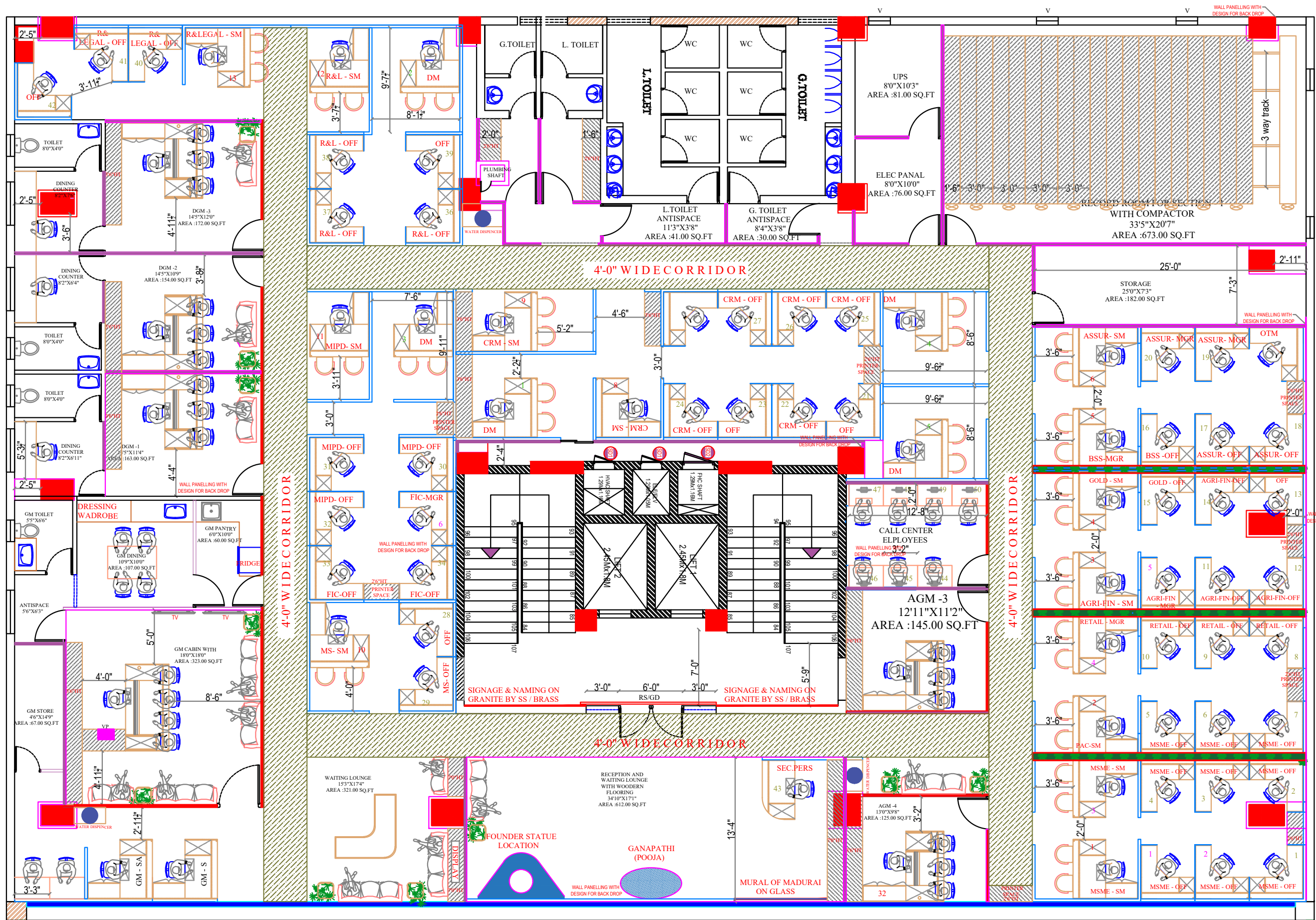


- ▬ SEMI GLAZED PARTITION
  - ▬ LOW HEIGHT PARTITION
  - ▬ FULL GLAZED PARTITION
  - ▬ FULL HEIGHT SOLID PARTITION
- 
- ARM MGR - 1
  - AGM - 2
  - SM - 8
  - MGR - 8
  - OFFICER - 43

CARPET AREA  
 SECOND FLOOR - 7845.10SQ.FT  
 THIRD FLOOR - 8129.10 SQ.FT  
 TOTAL AREA - 15974.20 SQ.FT  
 (EXCLUDED TOILET & STAIRCASE)

JOB NO	PROJECT TITLE : <b>PROPOSED INTERIOR DESIGN FOR CANARA BANK CIRCLE OFFICE</b> SAMBAKULAM ROAD, MADURAI.	DRAWING TITLE : SECOND FLOOR INTERIOR LAYOUT	DRAWING TYPE : SCHEMATIC DRAWING	DESIGN STAGE	SCALE	N.T.S	REV NO	REV - 18	ORIENTATION	ARCHITECTS
<b>1739</b>				<ul style="list-style-type: none"> <li><span style="border: 1px solid black; display: inline-block; width: 15px; height: 10px; margin-right: 5px;"></span> SCHEME LEVEL</li> <li><span style="background-color: #cccccc; display: inline-block; width: 15px; height: 10px; margin-right: 5px;"></span> FINAL COPY</li> </ul>	DATE	29-04-2025	DRN	K.D		
				R.DATE	03.10.2025	CHKD	K.S	<b>TSO DESIGN COMMUNE PVT. LTD.</b> Architects ■ Planners ■ Interior designers NEW NO.16,(OLD NO.42), Ground floor, South West Boag Road, T.Nagar, Chennai - 600017. Ph : 044 - 4212 9252 Telefax : 044 - 2435 0493 E-mail : info@tdoc.com		

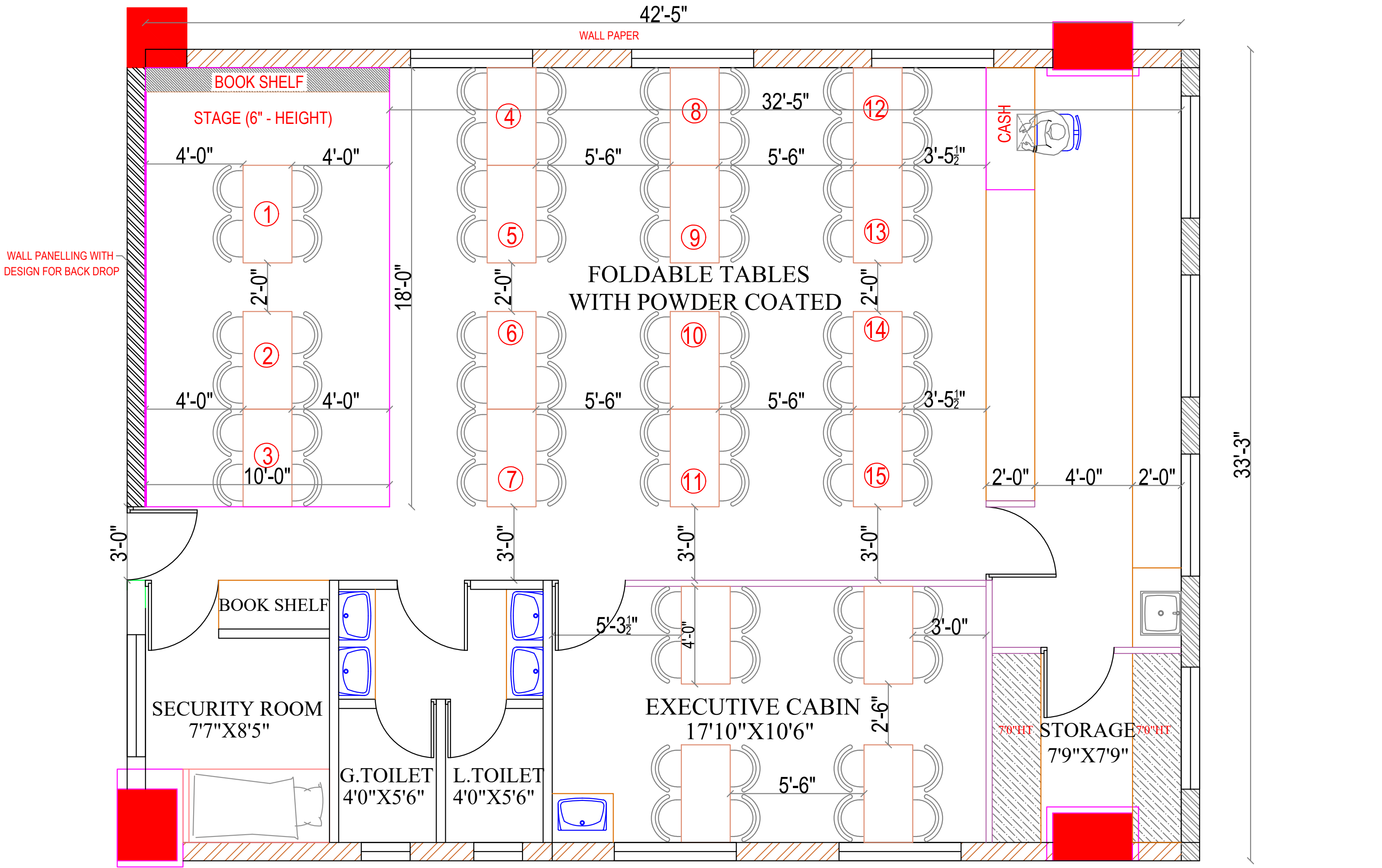


- ▬ SEMI GLAZED PARTITION
  - ▬ LOW HEIGHT PARTITION
  - ▬ FULL GLAZED PARTITION
  - ▬ FULL HEIGHT SOLID PARTITION
- |         |      |
|---------|------|
| GM      | - 1  |
| DGM     | - 3  |
| DM      | - 5  |
| AGM     | - 2  |
| SM      | - 12 |
| MGR     | - 6  |
| OFFICER | - 52 |

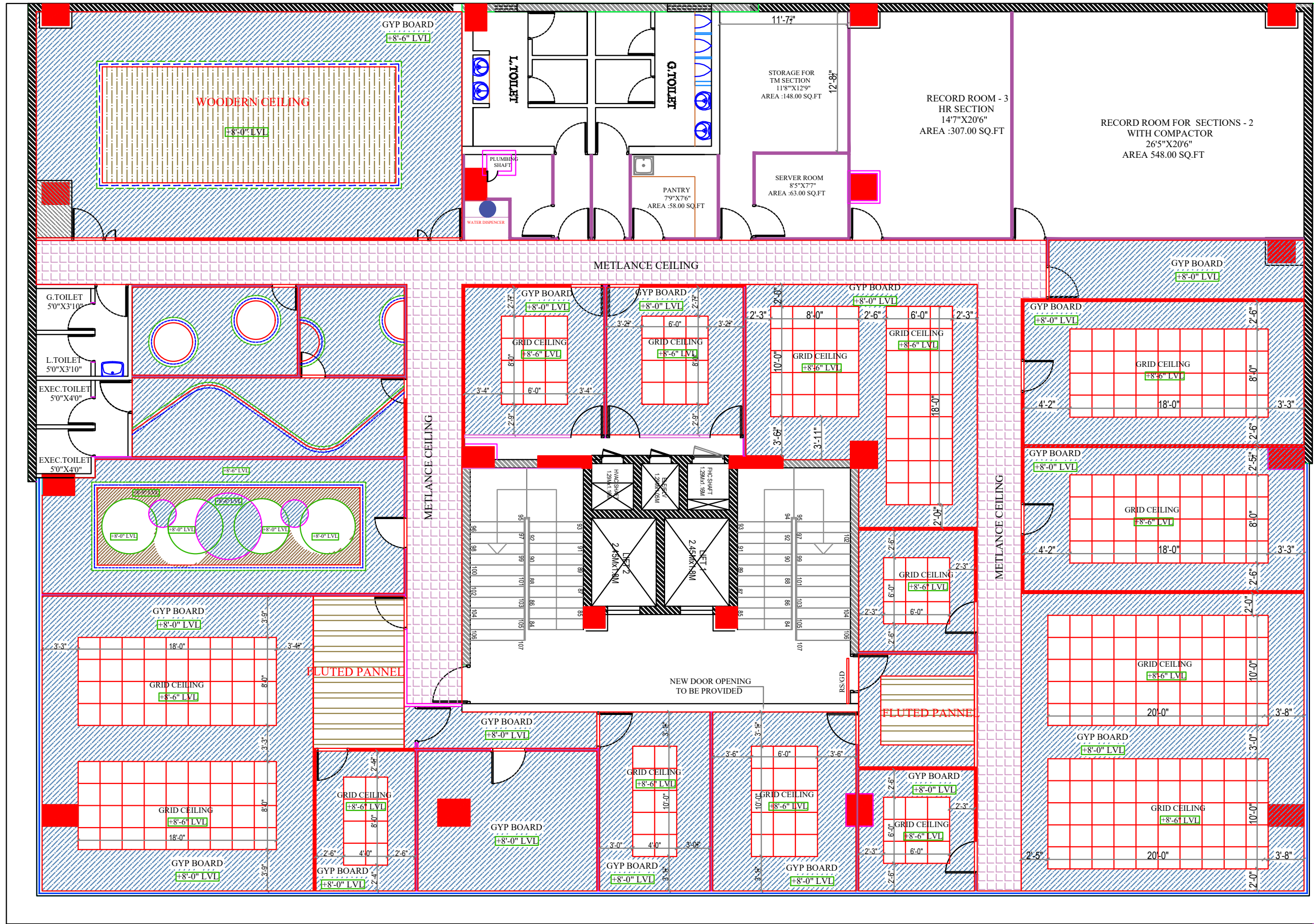
CARPET AREA  
 SECOND FLOOR - 7845.10SQ.FT  
 THIRD FLOOR - 8129.10 SQ.FT  
 TOTAL AREA - 15974.20 SQ.FT  
 (EXCLUDED TOILET & STAIRCASE)

JOB NO	PROJECT TITLE :	DRAWING TITLE :	DESIGN STAGE	SCALE	N.T.S	REV NO	REV - 18	ORIENTATION	ARCHITECTS
1739	PROPOSED INTERIOR DESIGN FOR <b>CANARA BANK CIRCLE OFFICE</b> SAMBAKULAM ROAD, MADURAI.	THIRD FLOOR INTERIOR LAYOUT	SCHEME LEVEL	DATE	29-04-2025	DRN	K.D	 N	 <b>TSO DESIGN COMMUNE PVT. LTD.</b> Architects ■ Planners ■ Interior designers
		DRAWING TYPE :	FINAL COPY	R.DATE	03.10.2025	CHKD	K.S		

NEW NO.16,(OLD NO.42), Ground floor, South West Boag Road,  
 T.Nagar, Chennai - 600017. Ph : 044 - 4212 9252  
 Telefax : 044 - 2435 0493 E-mail : info@tsocd.com



JOB NO	PROJECT TITLE :	PROPOSED INTERIOR DESIGN FOR	DRAWING TITLE :	DESIGN STAGE	SCALE	N.T.S	REV NO	TERR.F-18	ORIENTATION	ARCHITECTS <b>TSO DESIGN COMMUNE PVT. LTD.</b> Architects ■ Planners ■ Interior designers <small>NEW NO.16,(OLD NO.42), Ground floor, South West Boag Road, T.Nagar, Chennai - 600017. Ph : 044 - 4212 9252 Telefax : 044 - 2435 0493 E-mail : info@tsodc.com</small>
<b>1739</b>	<b>CANARA BANK CIRCLE OFFICE</b> SAMBAKULAM ROAD, MADURAI.		TERRACE FLOOR DINING LAYOUT	SCHEME LEVEL	DATE	29-04-2025	DRN	K.D		
			DRAWING TYPE :	FINAL COPY	R.DATE	03.10.2025	CHKD	K.S		

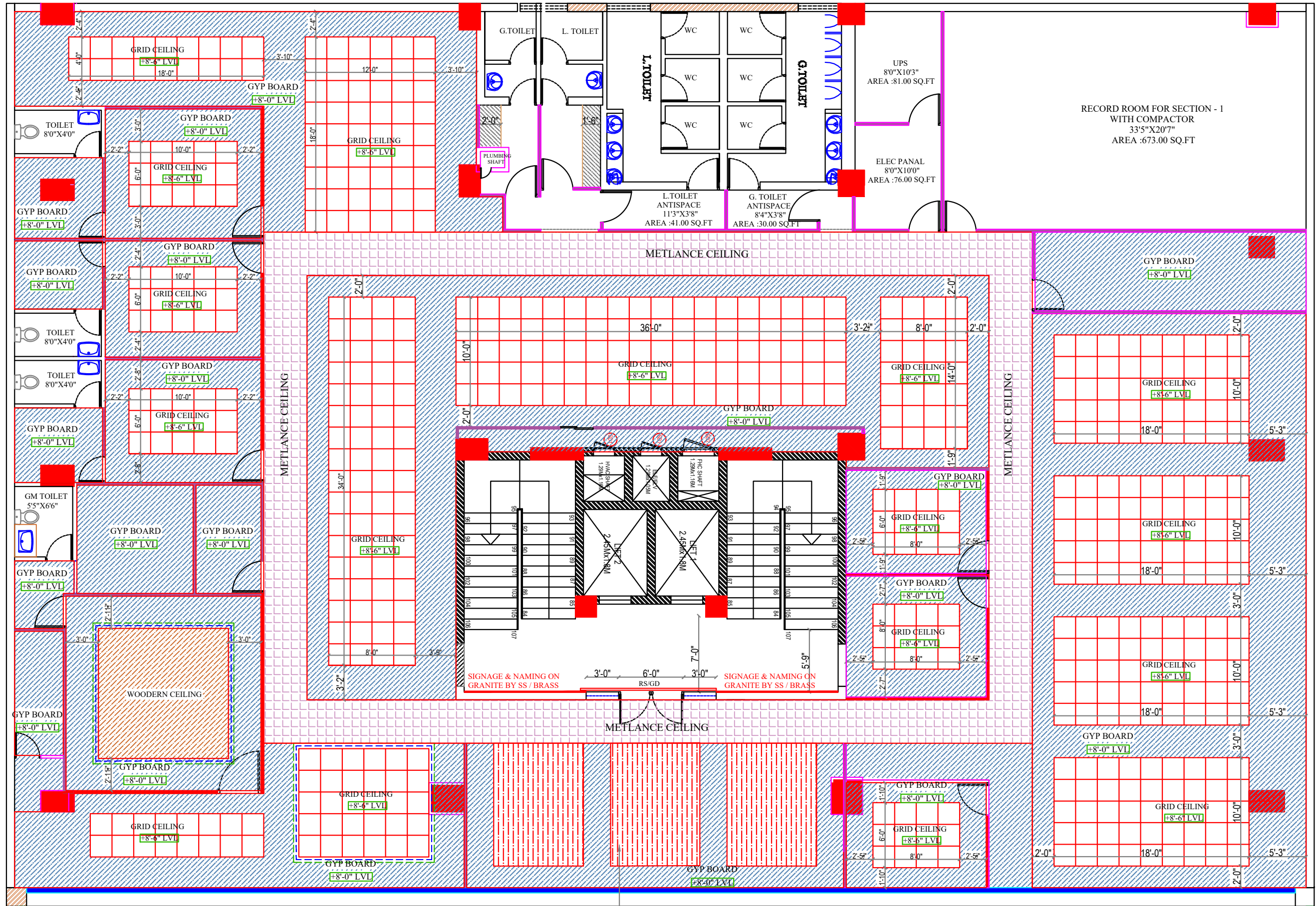


- LOW HEIGHT PARTITION
  - FULL GLAZED PARTITION
  - FULL HEIGHT SOLID PARTITION
- |         |      |
|---------|------|
| ARM MGR | - 1  |
| AGM     | - 2  |
| SM      | - 8  |
| MGR     | - 8  |
| OFFICER | - 43 |

CARPET AREA  
 SECOND FLOOR - 7845.10SQ.FT  
 THIRD FLOOR - 8129.10 SQ.FT  
 TOTAL AREA - 15974.20 SQ.FT  
 (EXCLUDED TOILET & STAIRCASE)

JOB NO	PROJECT TITLE : <b>PROPOSED INTERIOR DESIGN FOR CANARA BANK CIRCLE OFFICE</b> SAMBAKULAM ROAD, MADURAI.	DRAWING TITLE : SECOND FLOOR INTERIOR LAYOUT	DRAWING TYPE : SCHEMATIC DRAWING	DESIGN STAGE	SCALE	REV NO	REV - 18	ORIENTATION
<b>1739</b>				<ul style="list-style-type: none"> <li><span style="border: 1px solid black; display: inline-block; width: 15px; height: 10px; margin-right: 5px;"></span> SCHEME LEVEL</li> <li><span style="background-color: gray; display: inline-block; width: 15px; height: 10px; margin-right: 5px;"></span> FINAL COPY</li> </ul>	N.T.S	DRN	K.D	
					DATE	CHKD	K.S	
					29-04-2025	03.10.2025		

**TSO DESIGN COMMUNE PVT. LTD.**  
 Architects ■ Planners ■ Interior designers  
 NEW NO.16,(OLD NO.42), Ground floor, South West Boag Road,  
 T.Nagar, Chennai - 600017. Ph : 044 - 4212 9252  
 Telefax : 044 - 2435 0493 E-mail : info@tsocd.com



RECORD ROOM FOR SECTION - 1  
WITH COMPACTOR  
33'5"X20'7"  
AREA : 673.00 SQ.FT

UPS  
8'0"X10'3"  
AREA : 81.00 SQ.FT

ELEC PANAL  
8'0"X10'0"  
AREA : 76.00 SQ.FT

L.TOILET ANTISPAC  
11'3"X3'8"  
AREA : 41.00 SQ.FT

G. TOILET ANTISPAC  
8'4"X3'8"  
AREA : 30.00 SQ.FT

- ▬ LOW HEIGHT PARTITION
- ▬ FULL GLAZED PARTITION
- ▬ FULL HEIGHT SOLID PARTITION

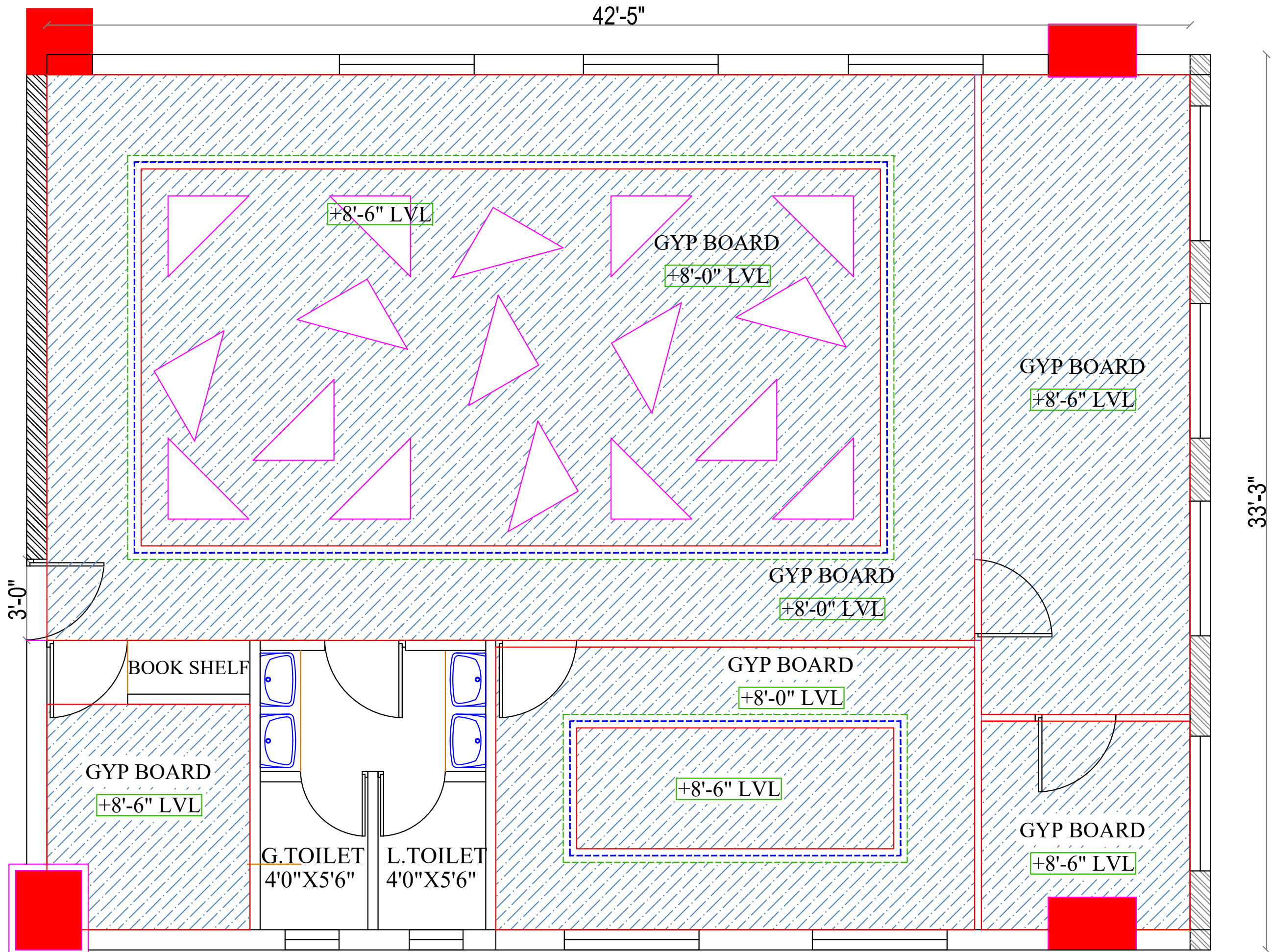
GM	- 1
DGM	- 3
DM	- 5
AGM	- 2
SM	- 12
MGR	- 6
OFFICER	- 52

CARPET AREA  
SECOND FLOOR - 7845.10SQ.FT  
THIRD FLOOR - 8129.10 SQ.FT  
TOTAL AREA - 15974.20 SQ.FT  
(EXCLUDED TOILET & STAIRCASE)

STRETCH CEILING WITH  
BACK LED LIGHT

JOB NO <b>1739</b>	PROJECT TITLE : <b>PROPOSED INTERIOR DESIGN FOR CANARA BANK CIRCLE OFFICE SAMBAKULAM ROAD, MADURAI.</b>	DRAWING TITLE :	THIRD FLOOR INTERIOR LAYOUT	DESIGN STAGE	SCALE	N.T.S	REV NO	REV - 18	ORIENTATION	ARCHITECTS <b>TSO DESIGN COMMUNE PVT. LTD.</b> Architects ■ Planners ■ Interior Designers
		DRAWING TYPE :	SCHEMATIC DRAWING			DATE	29-04-2025	DRN	K.D	
					R.DATE	03.10.2025	CHKD	K.S		

NEW NO.16,(OLD NO.42), Ground floor, South West Boag Road,  
T.Nagar, Chennai - 600017. Ph : 044 - 4212 9252  
Telefax : 044 - 2435 0493 E-mail : info@tsodc.com



3'-0"

42'-5"

33'-3"

+8'-6" LVL

GYP BOARD

+8'-0" LVL

GYP BOARD

+8'-6" LVL

GYP BOARD

+8'-0" LVL

BOOK SHELF

GYP BOARD

+8'-0" LVL

GYP BOARD

+8'-6" LVL

G.TOILET  
4'0"X5'6"

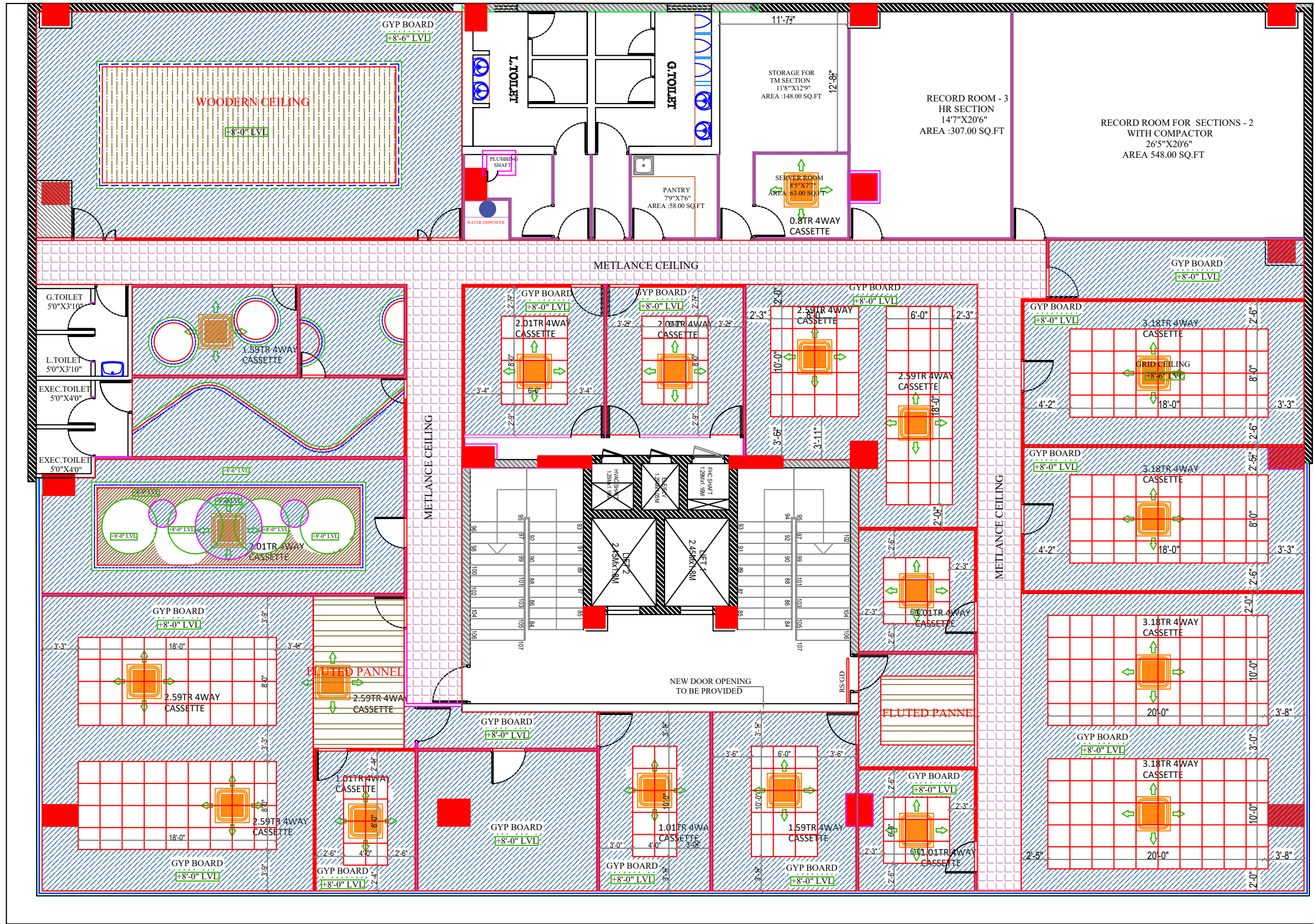
L.TOILET  
4'0"X5'6"

+8'-6" LVL

GYP BOARD

+8'-6" LVL

JOB NO	PROJECT TITLE :	PROPOSED INTERIOR DESIGN FOR	DRAWING TITLE :	DESIGN STAGE	SCALE	N.T.S	REV NO	TERR.F-18	ORIENTATION	ARCHITECTS
1739		<b>CANARA BANK CIRCLE OFFICE</b>	TERRACE FLOOR DINING LAYOUT	SCHEME LEVEL	DATE	29-04-2025	DRN	K.D		
		SAMBAKULAM ROAD, MADURAI.	DRAWING TYPE :	FINAL COPY	R.DATE	03.10.2025	CHKD	K.S		
<p>NEW NO.16,(OLD NO.42), Ground floor, South West Boag Road, T.Nagar, Chennai - 600017. Ph : 044 - 4212 9252. Telefax : 044 - 2435 0493 E-mail : info@tsodc.com</p>										

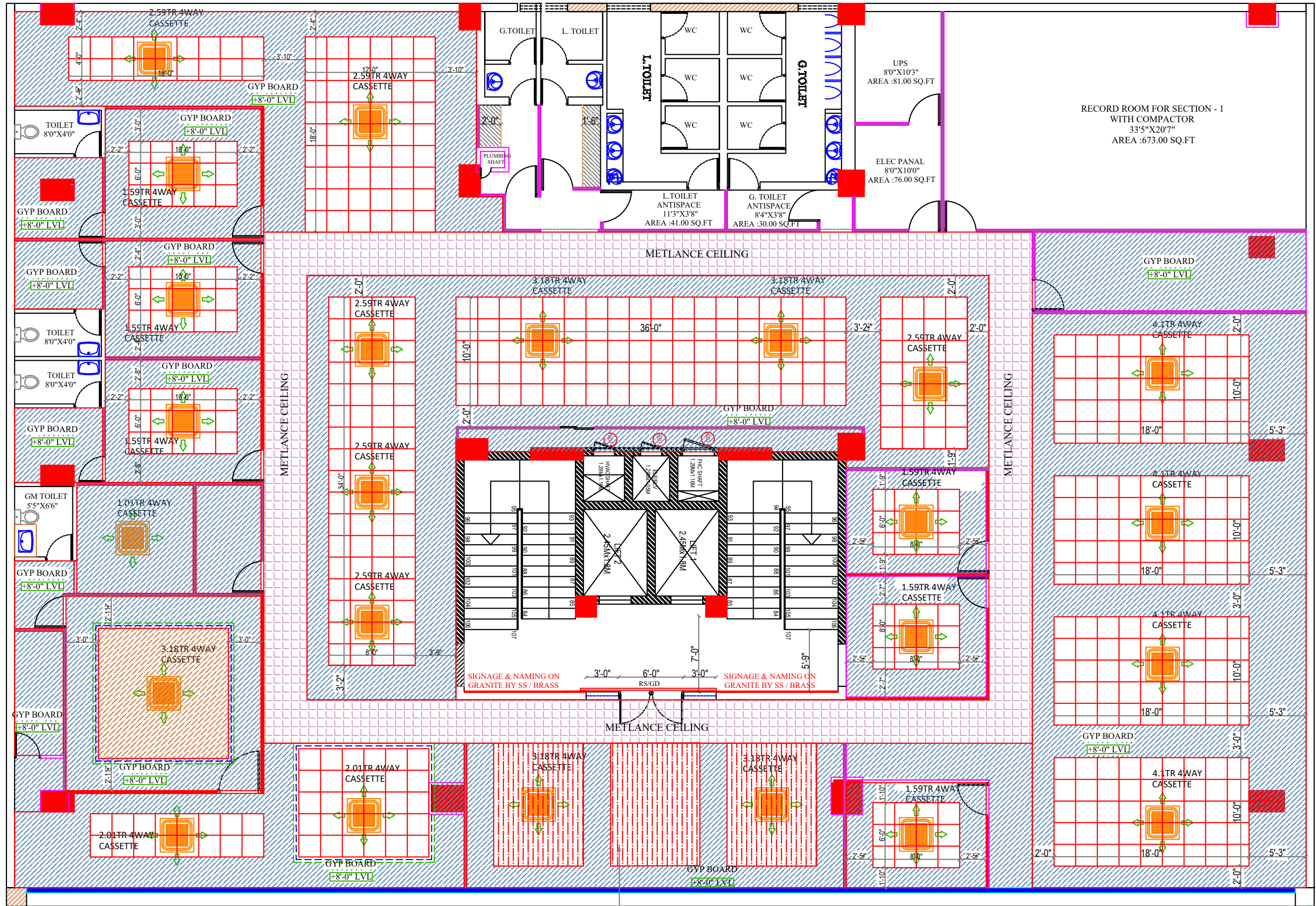


- ▬ LOW HEIGHT PARTITION
  - ▬ FULL GLAZED PARTITION
  - ▬ FULL HEIGHT SOLID PARTITION
- |              |  |
|--------------|--|
| ARM MGR - 1  |  |
| AGM - 2      |  |
| SM - 8       |  |
| MGR - 8      |  |
| OFFICER - 43 |  |

CARPET AREA  
 SECOND FLOOR - 7845.10SQ.FT  
 THIRD FLOOR - 8129.10 SQ.FT  
 TOTAL AREA - 15974.20 SQ.FT  
 (EXCLUDED TOILET & STAIRCASE)

JOB NO	1739	PROJECT TITLE : <b>PROPOSED INTERIOR DESIGN FOR CANARA BANK CIRCLE OFFICE</b> SAMBAKULAM ROAD, MADURAI.	DRAWING TITLE : SECOND FLOOR - AC LAYOUT	DRAWING TYPE : WORKING DRAWING	DESIGN STAGE	SCALE	N.T.S	REV NO	REV - 18	ORIENTATION	ARCHITECTS
					<div style="border: 1px solid black; width: 20px; height: 10px; display: inline-block;"></div> SCHEME LEVEL <div style="border: 1px solid black; width: 20px; height: 10px; background-color: gray; display: inline-block;"></div> FINAL COPY	DATE	29-04-2025	DRN	K.D		
					R.DATE	03.10.2025	CHKD	K.S			

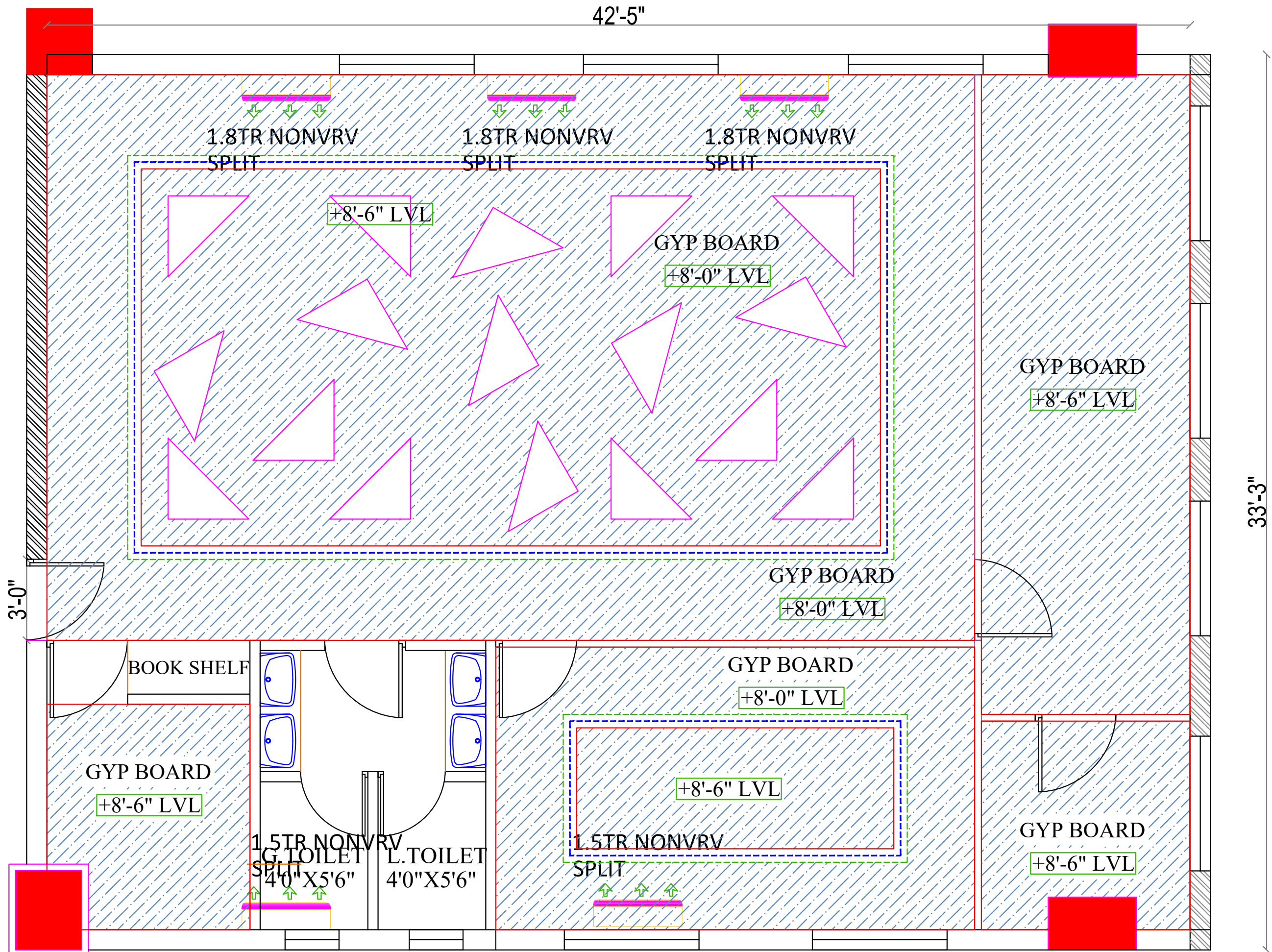
**TSO DESIGN COMMUNE PVT. LTD.**  
 Architects ■ Planners ■ Interior designers  
 NEW NO.16,(OLD NO.42), Ground floor, South West Boag Road,  
 T.Nagar, Chennai - 600017. Ph : 044 - 4212 9252  
 Telefax : 044 - 2435 0493 E-mail : info@tsodc.com



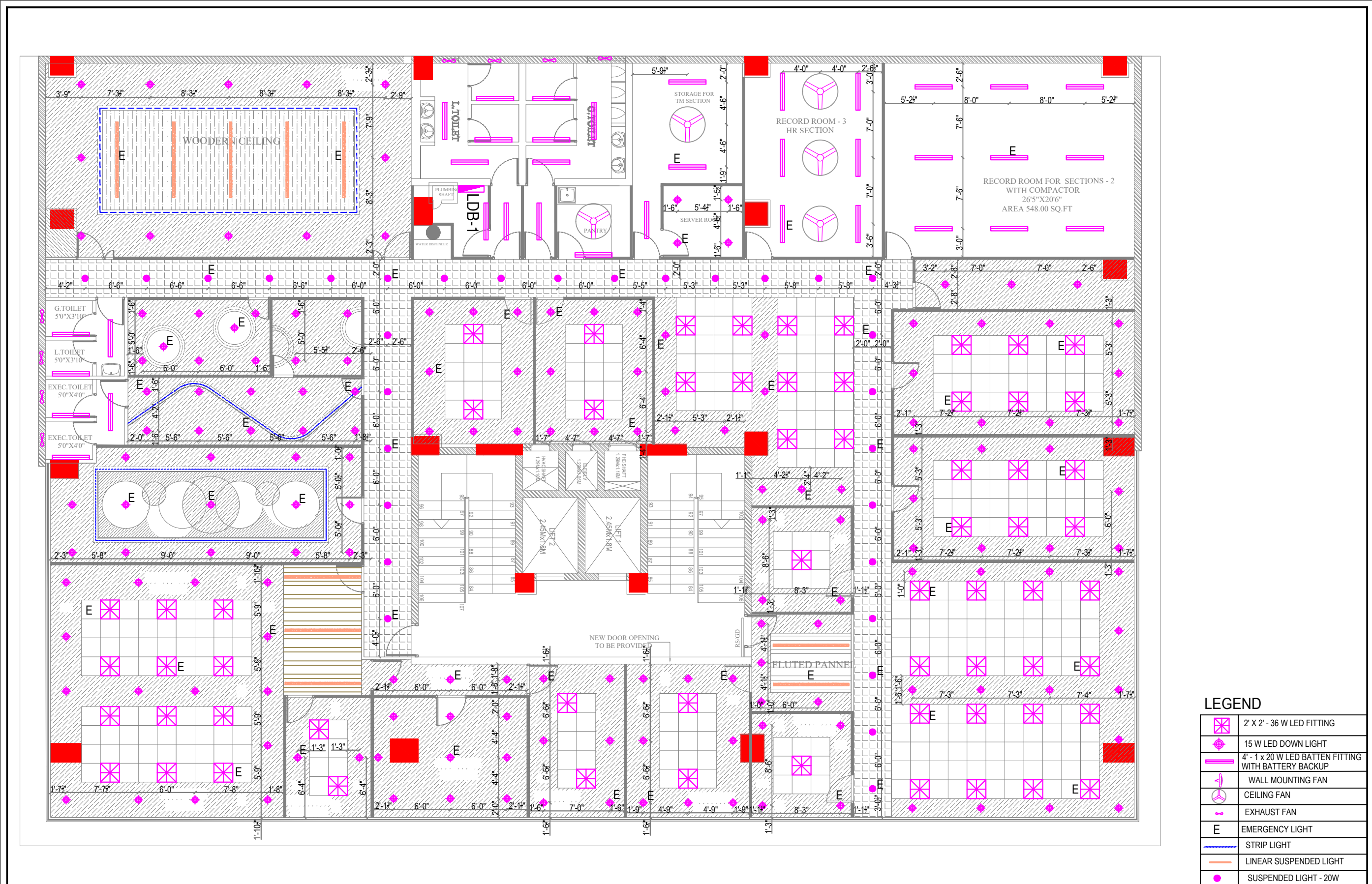
LOW HEIGHT PARTITION	
FULL GLAZED PARTITION	
FULL HEIGHT SOLID PARTITION	
GM	- 1
DGM	- 3
DM	- 5
AGM	- 2
SM	- 12
MGR	- 6
OFFICER	- 52

CARPET AREA  
 SECOND FLOOR - 7845.10SQ.FT  
 THIRD FLOOR - 8129.10 SQ.FT  
 TOTAL AREA - 15974.20 SQ.FT  
 (EXCLUDED TOILET & STAIRCASE)

JOB NO <b>1739</b>	PROJECT TITLE : <b>PROPOSED INTERIOR DESIGN FOR CANARA BANK CIRCLE OFFICE SAMBAKULAM ROAD, MADURAI.</b>	DRAWING TITLE :	THIRD FLOOR - AC LAYOUT	DESIGN STAGE	SCHEME LEVEL	SCALE	N.T.S	REV NO	REV - 18	ORIENTATION	ARCHITECTS <b>TSO DESIGN COMMUNE PVT. LTD.</b> Architects ■ Planners ■ Interior designers
		DRAWING TYPE :	WORKING DRAWING		FINAL COPY	DATE	29-04-2025	DRN	K.D		
						R.DATE	03.10.2025	CHKD	K.S		

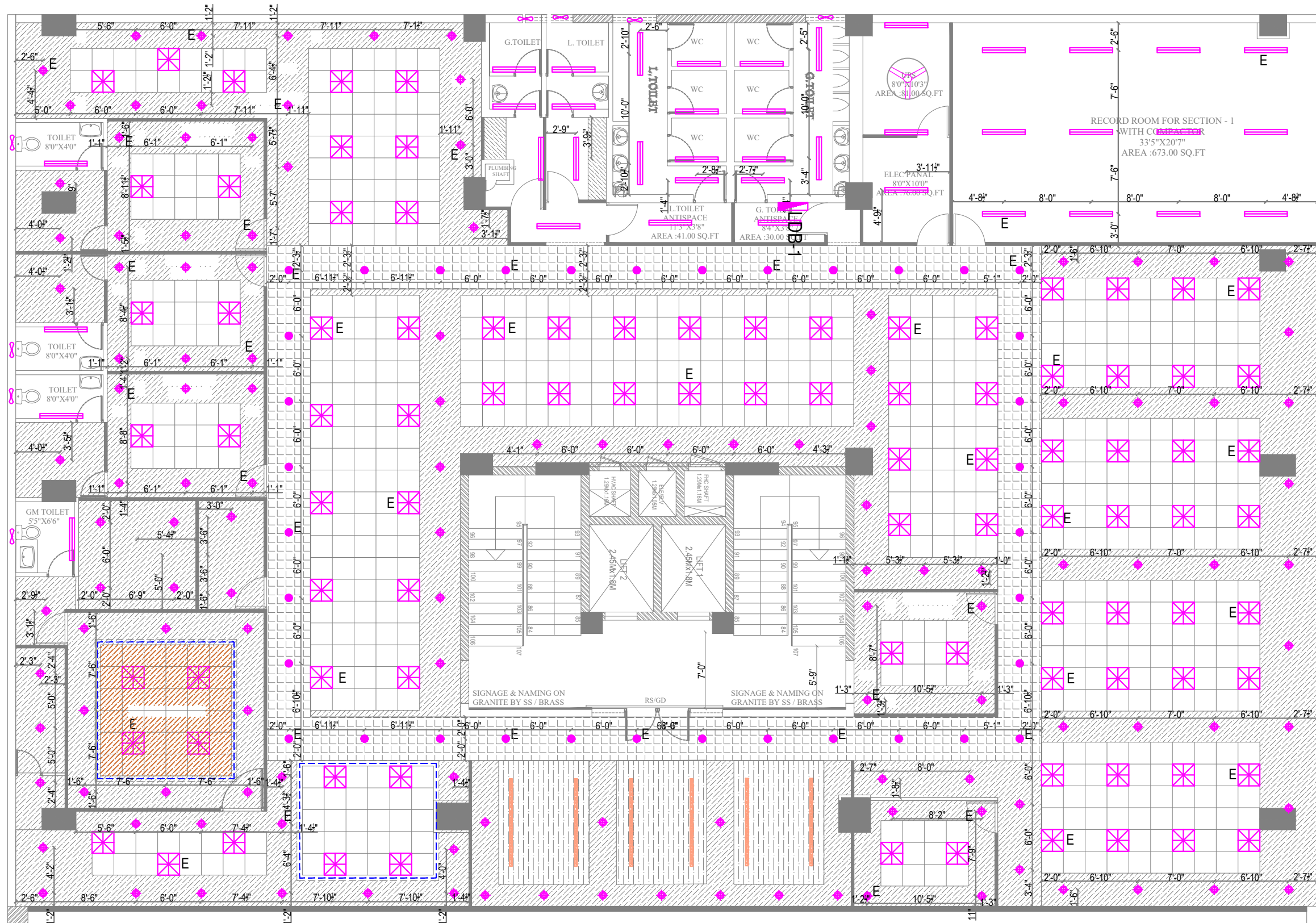


JOB NO	PROJECT TITLE :	PROPOSED INTERIOR DESIGN FOR	DRAWING TITLE :	DESIGN STAGE	SCALE	N.T.S	REV NO	TERR.F-18	ORIENTATION	ARCHITECTS
1739	<b>CANARA BANK CIRCLE OFFICE</b>		TERRACE FLOOR DINING LAYOUT	SCHEME LEVEL	DATE	29-04-2025	DRN	K.D		
	SAMBAKULAM ROAD, MADURAI.		DRAWING TYPE :	FINAL COPY	R.DATE	03.10.2025	CHKD	K.S		
<p>NEW NO.16,(OLD NO.42), Ground floor, South West Boag Road, T.Nagar, Chennai - 600017. Ph : 044 - 4212 9252 Telefax : 044 - 2435 0493 E-mail : info@tsooc.com</p>										



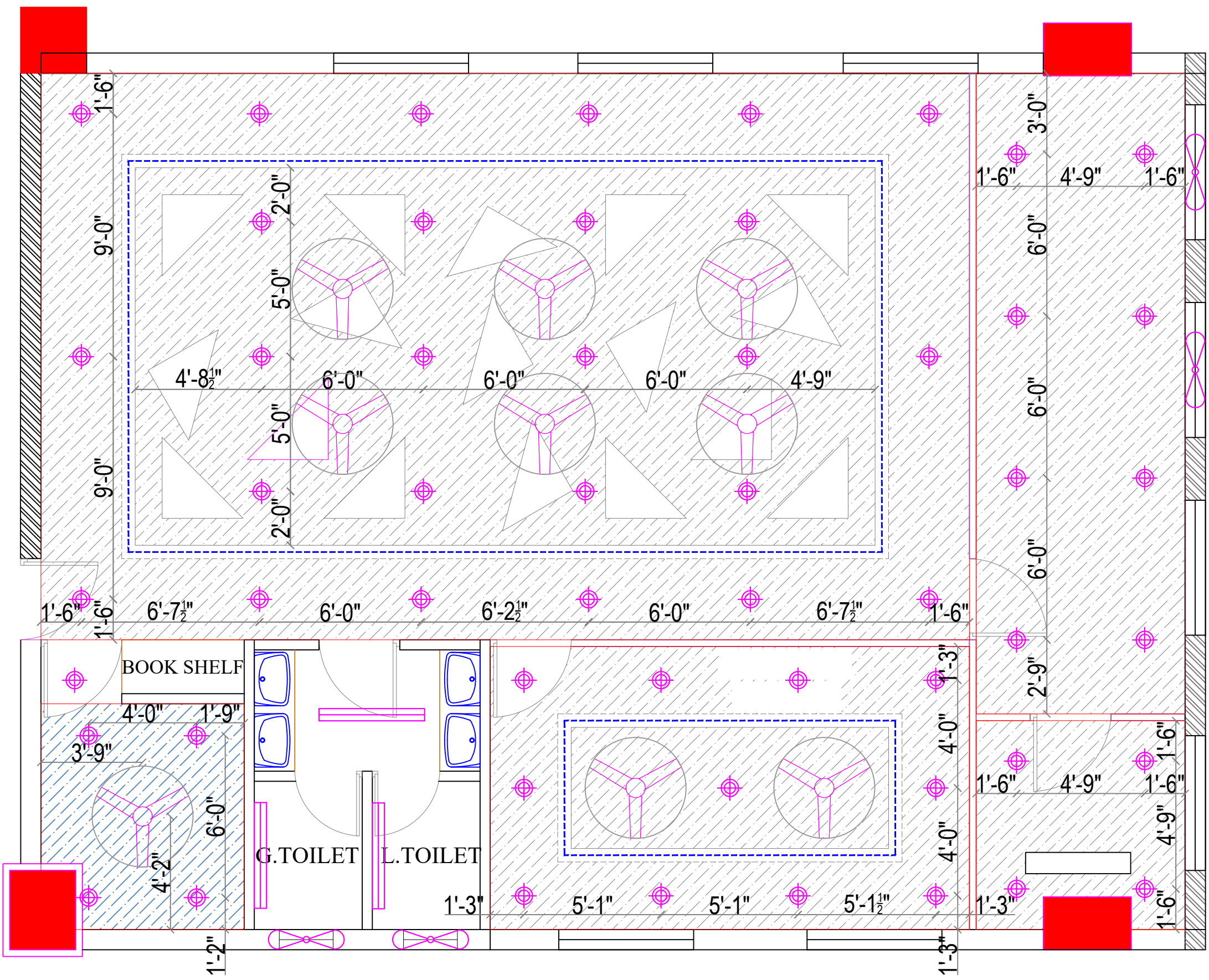
LEGEND	
	2' X 2' - 36 W LED FITTING
	15 W LED DOWN LIGHT
	4' - 1 x 20 W LED BATTEN FITTING WITH BATTERY BACKUP
	WALL MOUNTING FAN
	CEILING FAN
	EXHAUST FAN
	EMERGENCY LIGHT
	STRIP LIGHT
	LINEAR SUSPENDED LIGHT
	SUSPENDED LIGHT - 20W

JOB NO	PROPOSED INTERIOR DESIGN FOR	LIGHTING LAYOUT - SECOND FLOOR	DESIGN STAGE	SCALE	N.T.S	REV NO	03	ORIENTATION	ARCHITECTS
<b>1739</b>	<b>CANARA BANK CIRCLE OFFICE</b> SAMBAKULAM ROAD, MADURAI.		SCHEMATIC DRAWING	SCHEME LEVEL FINAL COPY	DATE	29-04-2025	DRN	HARI G	
				R.DATE	27.09.2025	CHKD	G.G	TSO DESIGN COMMUNE PVT. LTD. Architects ■ Planners ■ Interior designers <small>NEW NO.16,(OLD NO.42), Ground floor, South West Boag Road,          T.Nagar, Chennai - 600017. Ph : 044 - 4212 9252          Website : 044 - 2438 9493 E-mail : info@tsdc.com</small>	



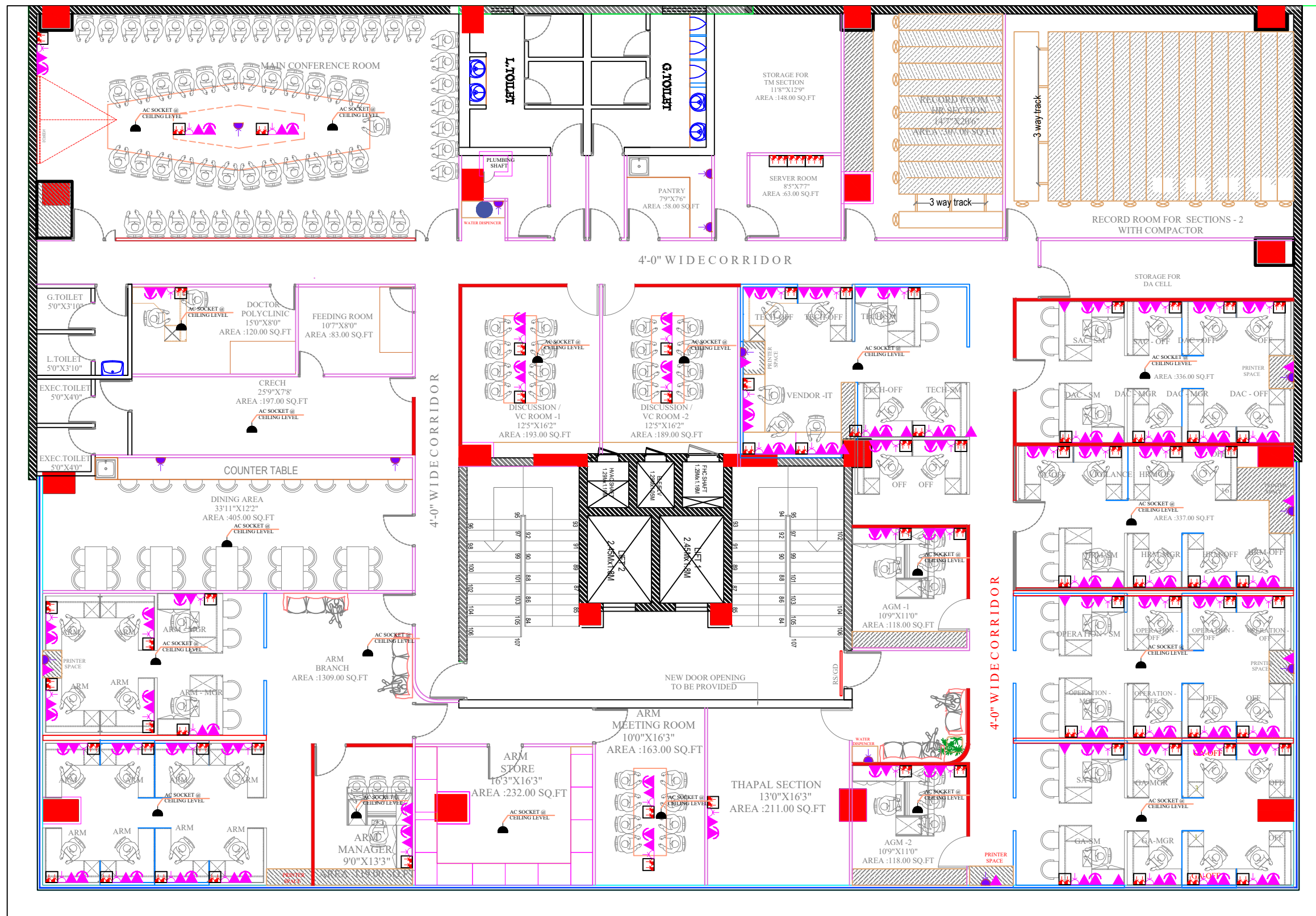
LEGEND	
	2' X 2' - 36 W LED FITTING
	15 W LED DOWN LIGHT
	4' - 1 x 20 W LED BATTEN FITTING WITH BATTERY BACKUP
	WALL MOUNTING FAN
	CEILING FAN
	EXHAUST FAN
	EMERGENCY LIGHT
	STRIP LIGHT
	LINEAR SUSPENDED LIGHT
	SUSPENDED LIGHT - 20W

JOB NO	1739	PROJECT TITLE :	PROPOSED INTERIOR DESIGN FOR <b>CANARA BANK CIRCLE OFFICE</b> SAMBAKULAM ROAD, MADURAI.	DRAWING TITLE :	LIGHTING LAYOUT - THIRD FLOOR	DESIGN STAGE	SCHEME LEVEL	SCALE	N.T.S	REV NO	03	ORIENTATION	ARCHITECTS	 <b>T.S.O DESIGN COMMUNE PVT. LTD.</b> Architects ■ Planners ■ Interior designers <small>NEW NO.16,(OLD NO.42), Ground floor, South West Boag Road,          T.Nagar, Chennai - 600017. Ph : 044 - 4212 9252          Website : 044 - 2435 9493 E-mail : info@tsoc.com</small>
				DRAWING TYPE :	SCHEMATIC DRAWING		FINAL COPY	DATE	29-04-2025	DRN	HARI G			
								R.DATE	27.09.2025	CHKD	G.G			



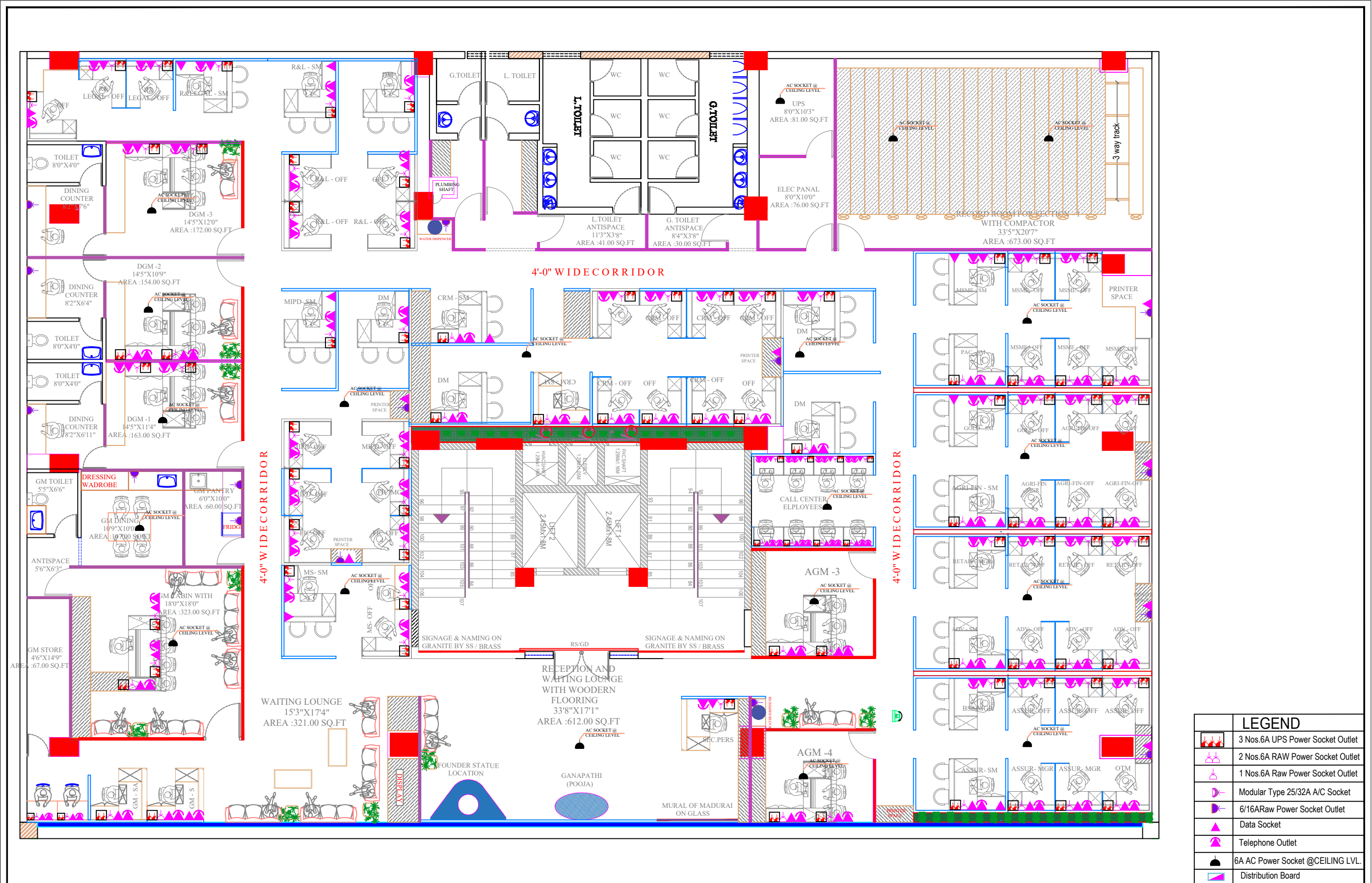
LEGEND	
	15 W LED DOWN LIGHT
	4' - 1 x 20 W LED BATTEN FITTING WITH BATTERY BACKUP
	CEILING FAN
	EXHAUST FAN
	STRIP LIGHT

JOB NO	PROPOSED INTERIOR DESIGN FOR	DRAWING TITLE :	DESIGN STAGE	SCALE	N.T.S	REV NO	02	ORIENTATION		<b>ARCHITECTS</b> <b>TSO DESIGN COMMUNE PVT. LTD.</b> Architects ■ Planners ■ Interior designers <small>NEW NO.16,(OLD NO.42), Ground floor, South West Boag Road,          T.Nagar, Chennai - 600017. Ph : 044 - 4212 9252          Telefax : 044 - 2435 9493 E-mail : info@tsoc.com</small>
<b>1739</b>	<b>CANARA BANK CIRCLE OFFICE</b> SAMBAKULAM ROAD, MADURAI.	LIGHTING LAYOUT TERRACE FLOOR	SCHMATIC DRAWING			DATE	29-04-2025	DRN		
		DRAWING TYPE :				R.DATE	27.09.2025	CHKD	G.G	



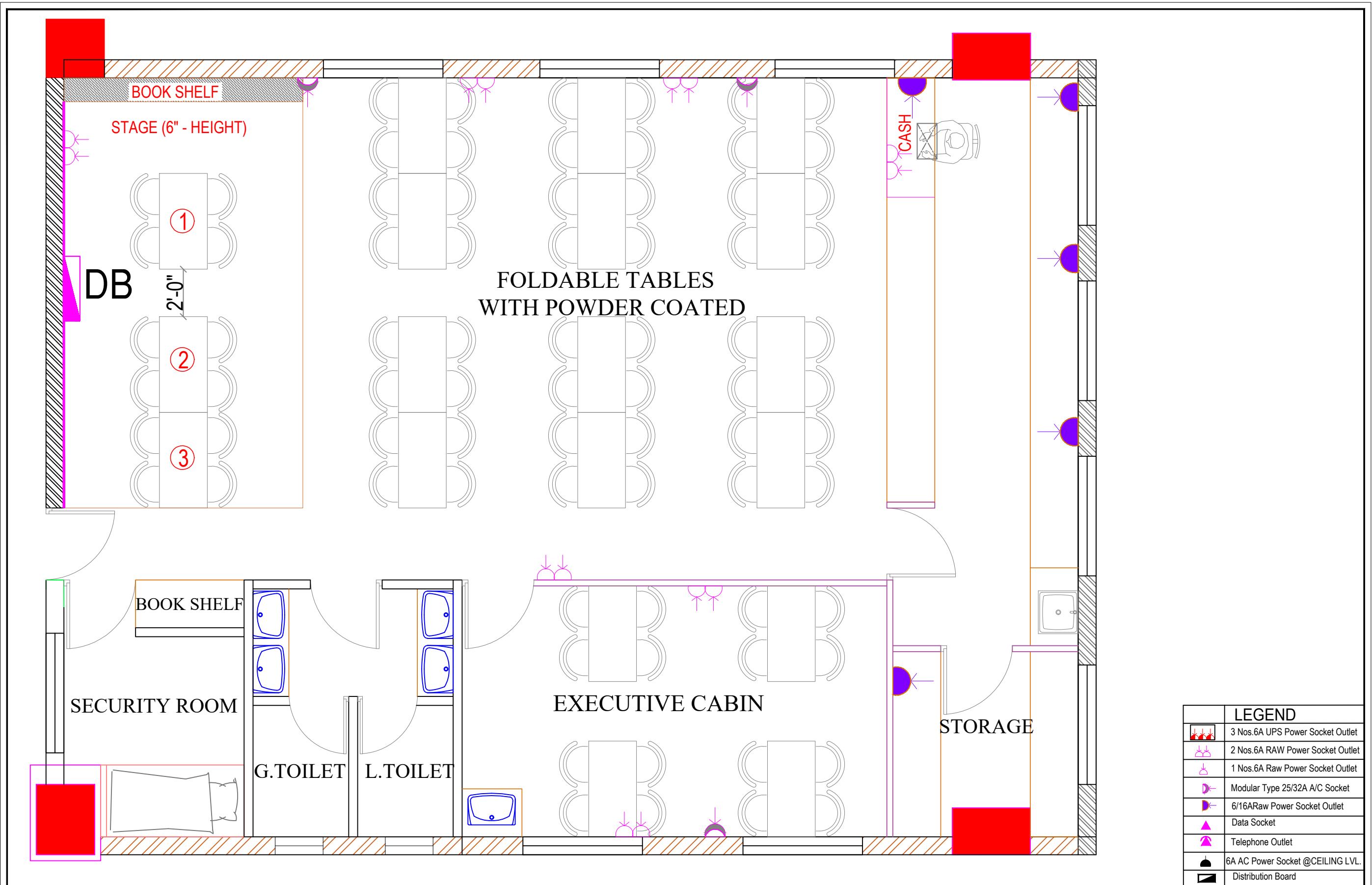
LEGEND	
	3 Nos.6A UPS Power Socket Outlet
	2 Nos.6A RAW Power Socket Outlet
	1 Nos.6A Raw Power Socket Outlet
	Modular Type 25/32A A/C Socket
	6/16ARaw Power Socket Outlet
	Data Socket
	Telephone Outlet
	6A AC Power Socket @CEILING LVL.
	Distribution Board

JOB NO	PROJECT TITLE :	DRAWING TITLE :	DESIGN STAGE	SCALE	N.T.S	REV NO	03	ORIENTATION	ARCHITECTS
1739	PROPOSED INTERIOR DESIGN FOR <b>CANARA BANK CIRCLE OFFICE</b> SAMBAKULAM ROAD, MADURAI.	POWER LAYOUT SECOND FLOOR	SCHEME LEVEL	DATE	29-04-2025	DRN	HARI G		
		DRAWING TYPE :	FINAL COPY	R.DATE	27.09.2025	CHKD	G.G		TSO DESIGN COMMUNE PVT. LTD. Architects ■ Planners ■ Interior designers <small>NEW NO.16,(OLD NO.42), Ground floor, South West Boag Road, T.Nagar, Chennai - 600017. Ph : 044 - 4212 9252 Website : 044 - 2435 9493 E-mail : info@tsoc.com</small>



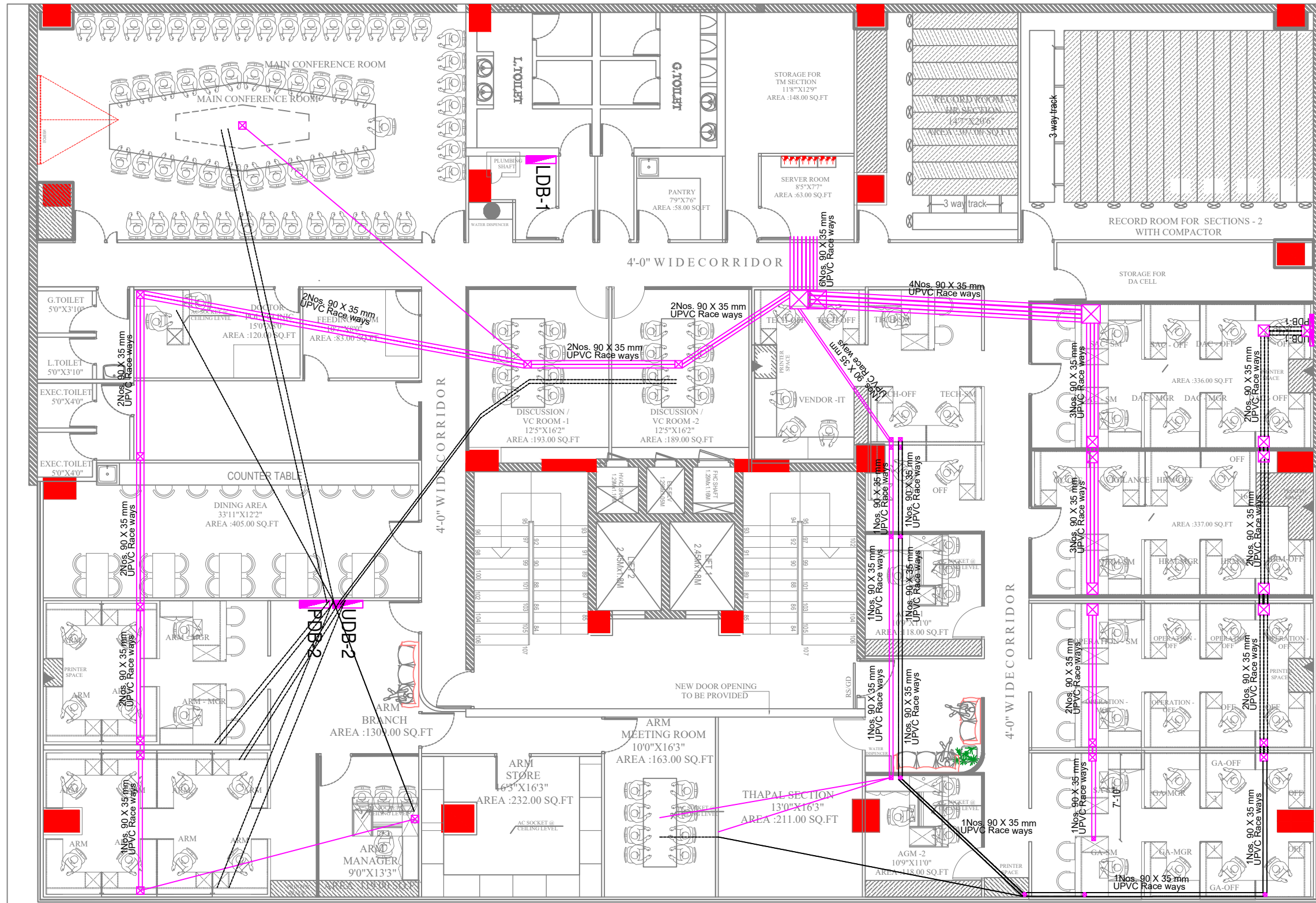
LEGEND	
	3 Nos.6A UPS Power Socket Outlet
	2 Nos.6A RAW Power Socket Outlet
	1 Nos.6A Raw Power Socket Outlet
	Modular Type 25/32A A/C Socket
	6/16ARaw Power Socket Outlet
	Data Socket
	Telephone Outlet
	6A AC Power Socket @CEILING LVL.
	Distribution Board

JOB NO <b>1739</b>	PROJECT TITLE : <b>PROPOSED INTERIOR DESIGN FOR CANARA BANK CIRCLE OFFICE SAMBAKULAM ROAD, MADURAI.</b>	DRAWING TITLE :	POWER LAYOUT THIRD FLOOR	DESIGN STAGE	SCALE	N.T.S	REV NO	03	ORIENTATION	ARCHITECTS <b>TSO DESIGN COMMUNE PVT. LTD.</b> Architects ■ Planners ■ Interior designers <small>NEW NO.16,(OLD NO.42), Ground floor, South West Boag Road, T.Nagar, Chennai - 600017. Ph : 044 - 4212 9252 Website : 044 - 2435 9493 E-mail : info@tsoc.com</small>
		DRAWING TYPE :	SCHEMATIC DRAWING			DATE	29-04-2025	DRN	HARI G	
						R.DATE	27.09.2025	CHKD	G.G	



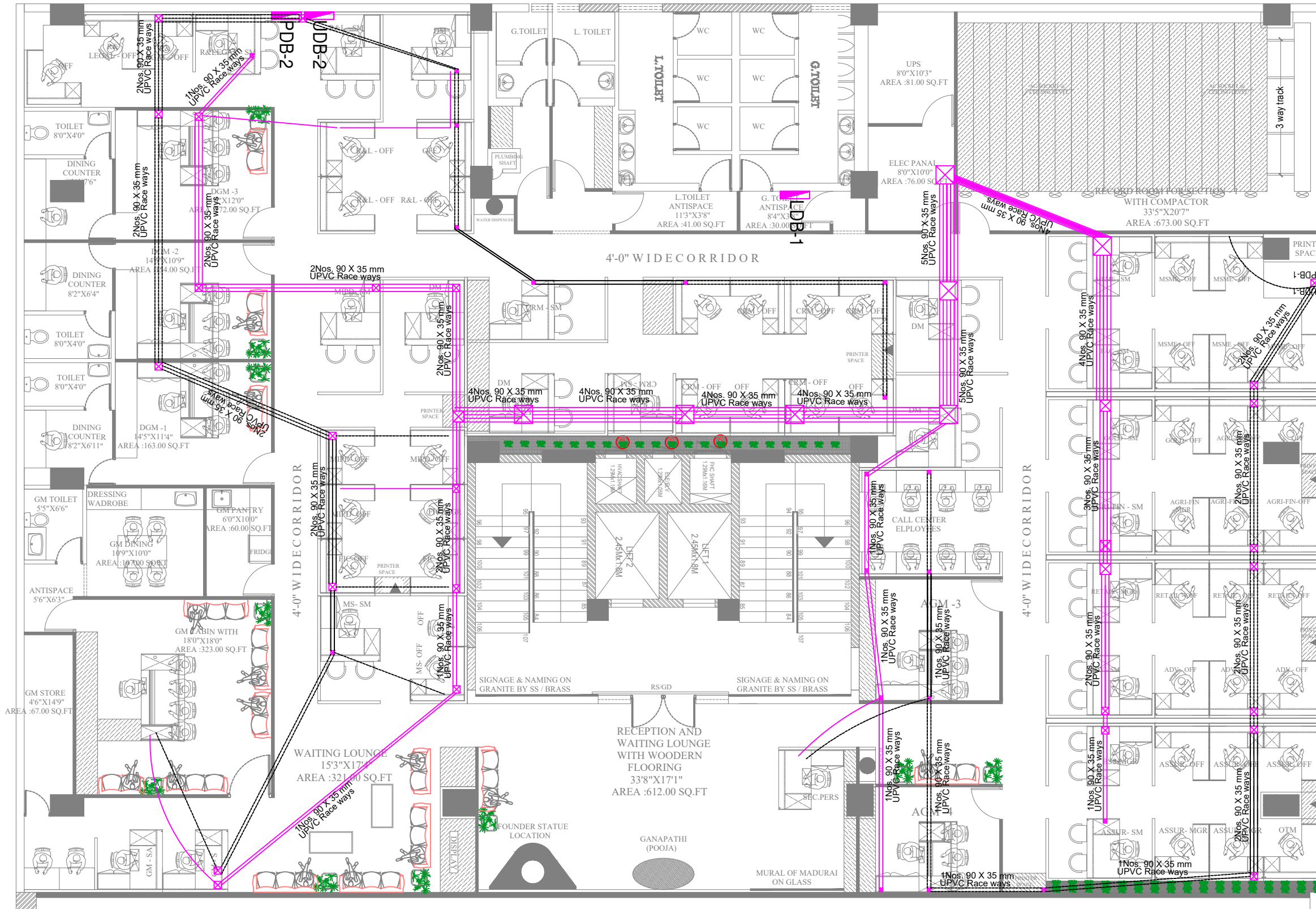
LEGEND	
	3 Nos.6A UPS Power Socket Outlet
	2 Nos.6A RAW Power Socket Outlet
	1 Nos.6A Raw Power Socket Outlet
	Modular Type 25/32A A/C Socket
	6/16ARaw Power Socket Outlet
	Data Socket
	Telephone Outlet
	6A AC Power Socket @CEILING LVL.
	Distribution Board

JOB NO	PROPOSED INTERIOR DESIGN FOR	DRAWING TITLE :	DESIGN STAGE	SCALE	N.T.S	REV NO	ORIENTATION	ARCHITECTS <b>TSO DESIGN COMMUNE PVT. LTD.</b> Architects ■ Planners ■ Interior designers <small>NEW NO.16,(OLD NO.42), Ground floor, South West Boag Road,          T.Nagar, Chennai - 600017. Ph : 044 - 4212 9252          Telefax : 044 - 2435 9493 E-mail : info@tsoc.com</small>
<b>1739</b>	<b>CANARA BANK CIRCLE OFFICE</b>	POWER LAYOUT - TERRACE FLOOR	SCHEME LEVEL	DATE	29-04-2025	DRN		
	SAMBAKULAM ROAD, MADURAI.	SCHEMATIC DRAWING	FINAL COPY	R.DATE	27.09.205	CHKD		



LEGEND	
	DATA RACEWAYS
	RAW & UPS POWER RACEWAYS
	FLOOR JUNCTION BOXES
	25MM DIA PVC CONDUITS
	25MM DIA PVC CONDUITS

JOB NO <b>1739</b>	PROJECT TITLE : <b>PROPOSED INTERIOR DESIGN FOR CANARA BANK CIRCLE OFFICE SAMBAKULAM ROAD, MADURAI.</b>	DRAWING TITLE : FLOOR RACEWAYS LAYOUT SECOND FLOOR	DRAWING TYPE : SCHEMATIC DRAWING	DESIGN STAGE SCHEME LEVEL FINAL COPY	SCALE N.T.S	DATE 29-04-2025	R.DATE 27.09.2025	REV NO 02	DRN HARI G	CHKD G.G	ORIENTATION 	ARCHITECTS  <b>TSO DESIGN COMMUNE PVT. LTD.</b> Architects ■ Planners ■ Interior designers NEW NO.16,(OLD NO.42), Ground floor, South West Boag Road, T.Nagar, Chennai - 600017. Ph : 044 - 4212 9252 Website : 044 - 2435 9493 E-mail : info@tsoc.com
-----------------------	--	--	-------------------------------------	--	----------------	--------------------	----------------------	--------------	---------------	-------------	-----------------	--



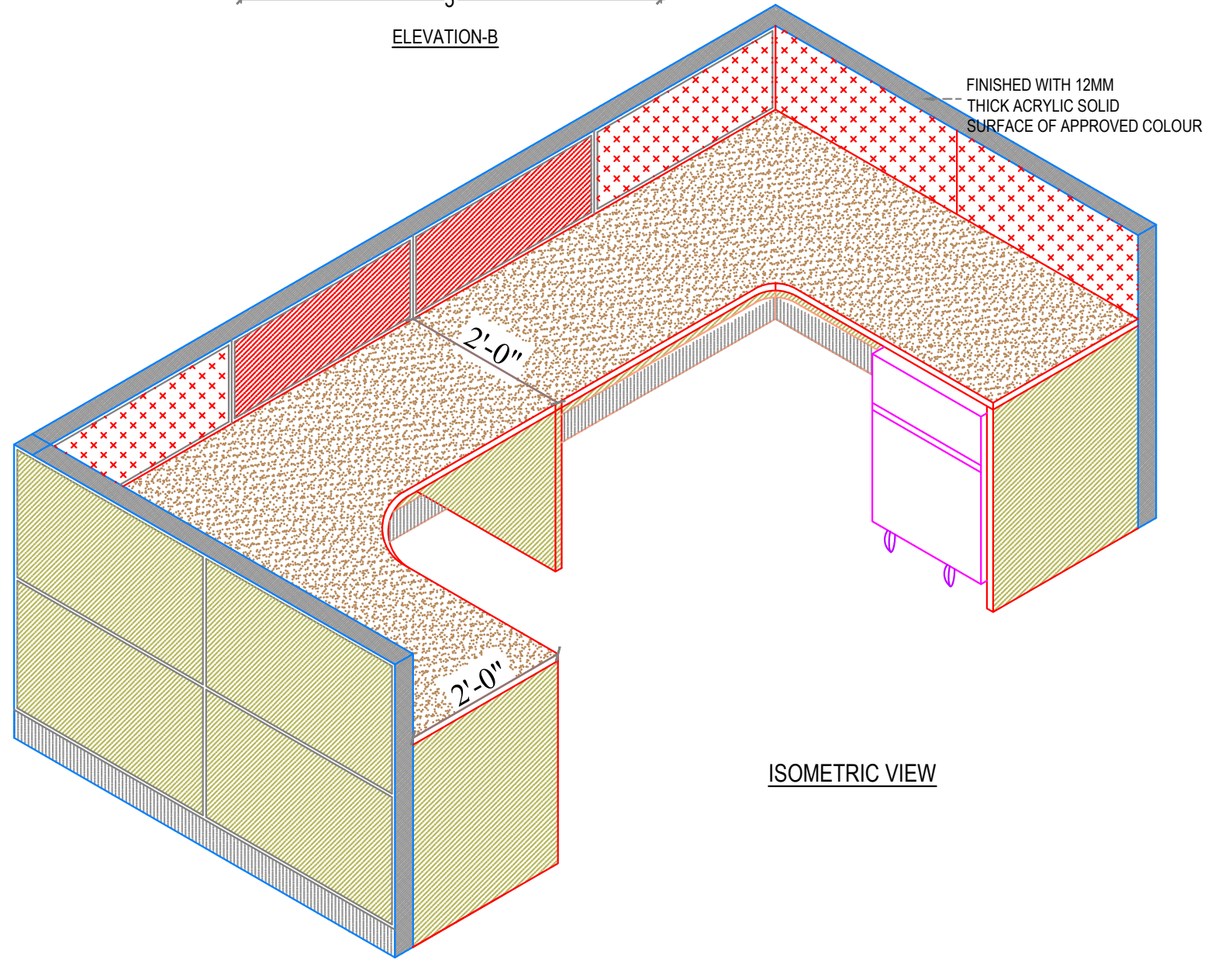
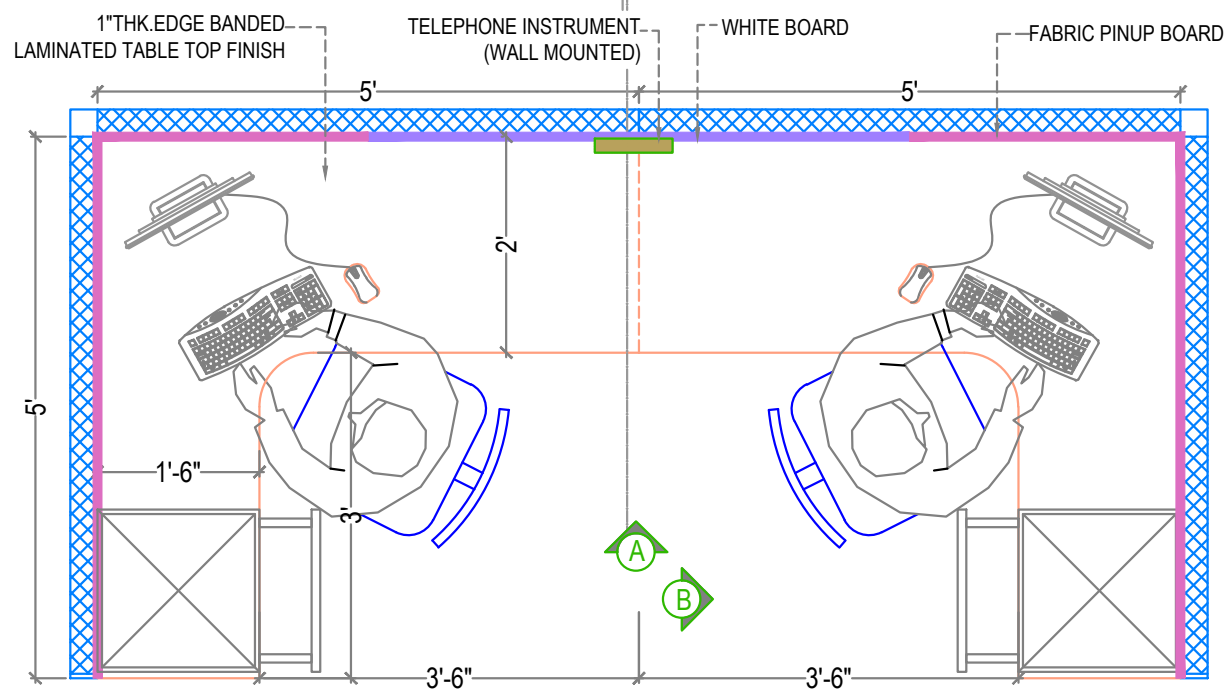
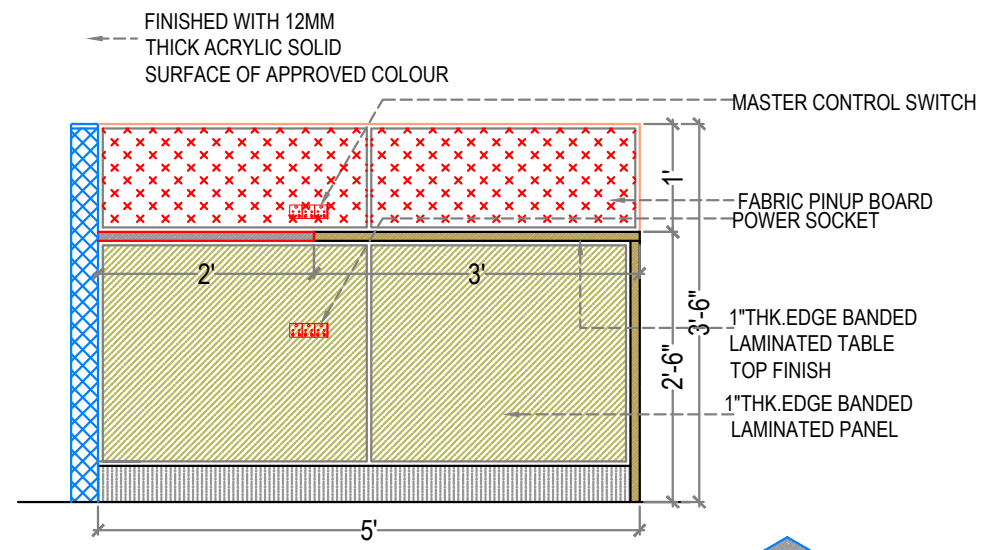
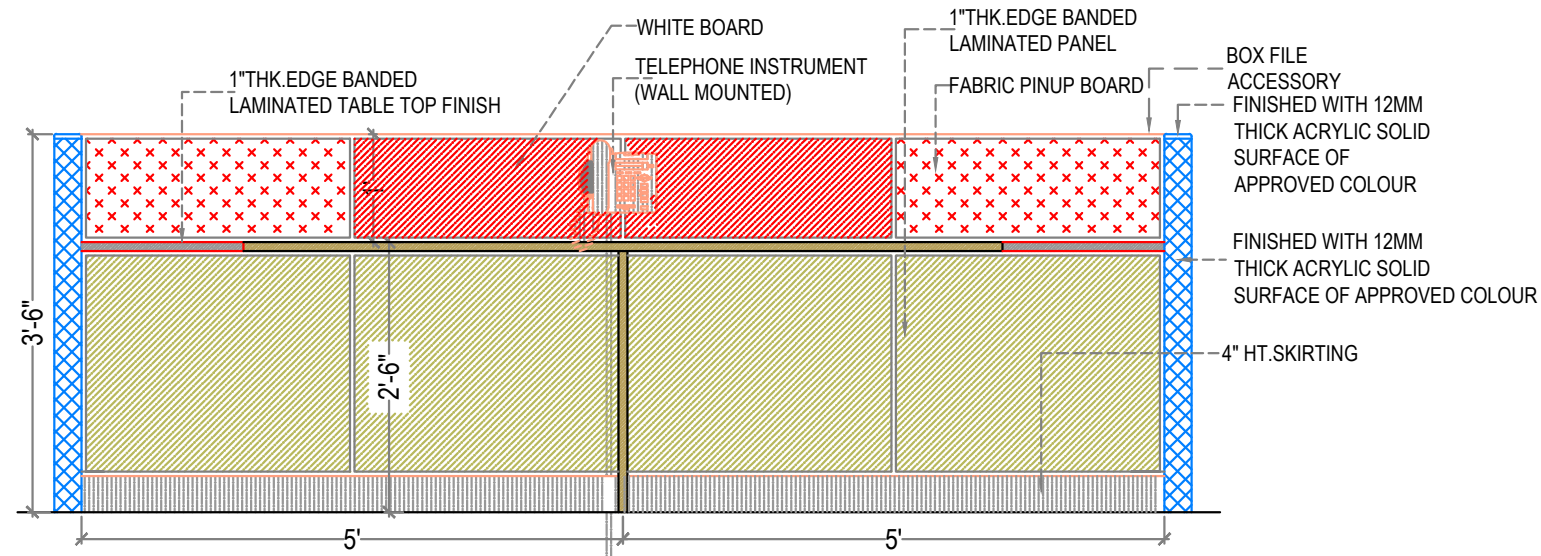
LEGEND	
	DATA RACEWAYS
	RAW & UPS POWER RACEWAYS
	FLOOR JUNCTION BOXES
	25MM DIA PVC CONDUITS
	25MM DIA PVC CONDUITS

JOB NO	PROPOSED INTERIOR DESIGN FOR
<b>1739</b>	<b>CANARA BANK CIRCLE OFFICE</b> SAMBAKULAM ROAD, MADURAI.

DRAWING TITLE :	FLOOR RACEWAYS LAYOUT THIRD FLOOR
DRAWING TYPE :	SCHEMATIC DRAWING

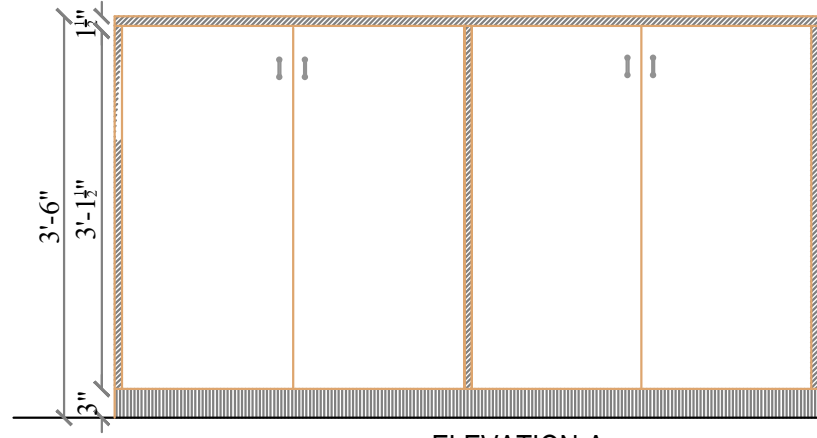
DESIGN STAGE	SCALE	N.T.S	REV NO	02	ORIENTATION
SCHEME LEVEL	DATE	29-04-2025	DRN	HARI G	
FINAL COPY	R.DATE	27.09.2025	CHKD	G.G	

ARCHITECTS	<b>TSO DESIGN COMMUNE PVT. LTD.</b> Architects ■ Planners ■ Interior designers
NEW NO.16,(OLD NO.42), Ground floor, South West Boag Road, T.Nagar, Chennai - 600017. Ph : 044 - 4212 9252 Website : 044 - 2435 9493 E-mail : info@tsoc.com	

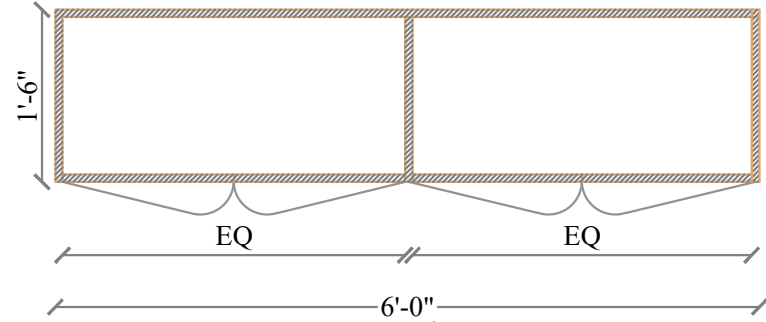


# DETAIL OF WORK STATION TABLE

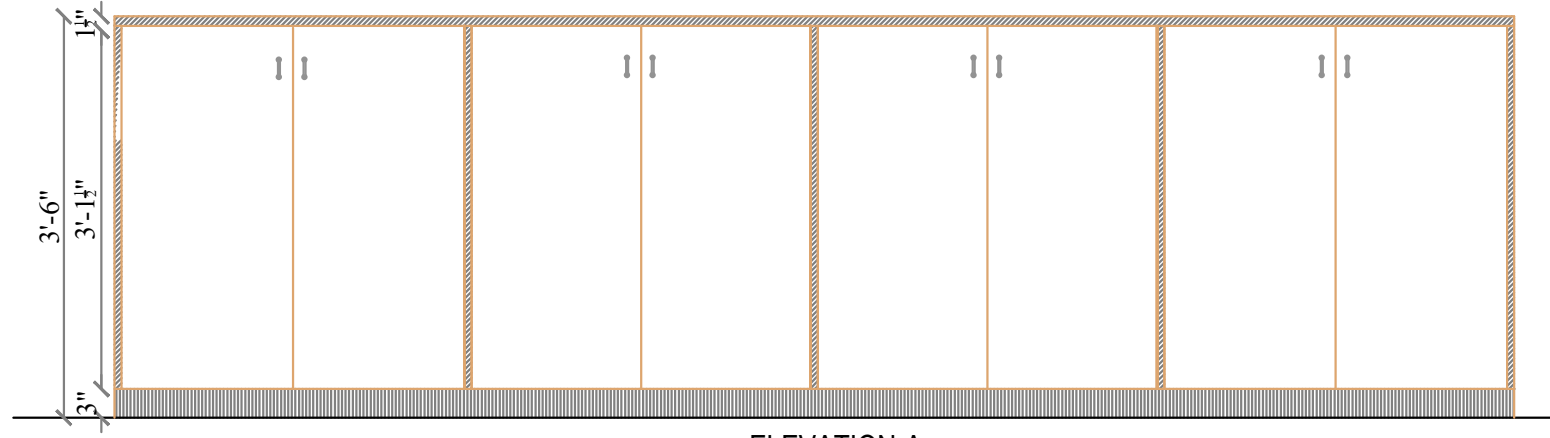
JOB NO	PROJECT TITLE : <b>PROPOSED INTERIOR DESIGN FOR CANARA BANK CIRCLE OFFICE SAMBAKULAM ROAD, MADURAI.</b>	DRAWING TITLE :	WORK STATION DETAIL	DESIGN STAGE	SCALE	N.T.S	DRG NO	DET-01	ORIENTATION	ARCHITECTS <b>TSO DESIGN COMMUNE PVT. LTD.</b> Architects ■ Planners ■ Interior designers <small>NEW NO.16,(OLD NO.42), Ground floor, South West Boag Road, T.Nagar, Chennai - 600017. Ph : 044 - 4212 9252 Telefax : 044 - 2435 0493 E-mail : info@tsodc.com</small>
<b>1739</b>		DRAWING TYPE :	WORKING DRAWING	SCHEME LEVEL	DATE	07.10.2025	DRN	K.D		
				FINAL COPY	R.DATE	-	CHKD	K.S		



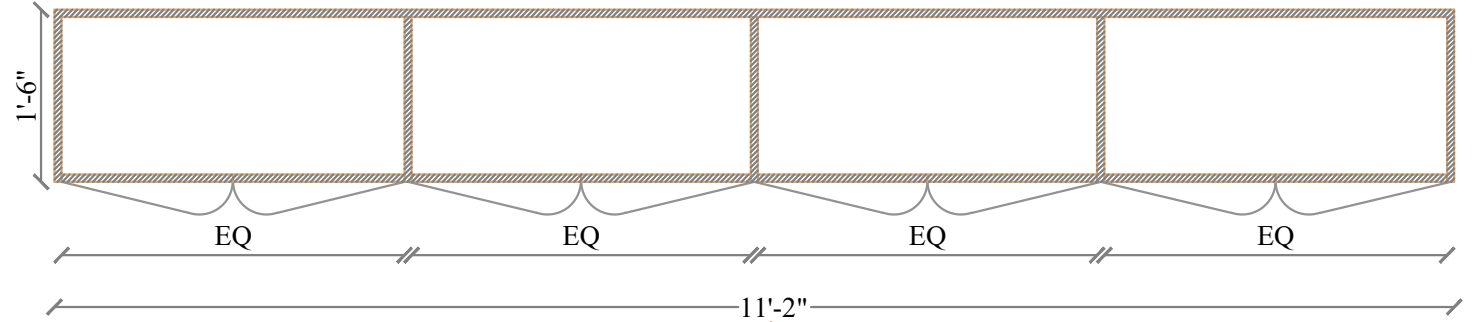
ELEVATION-A



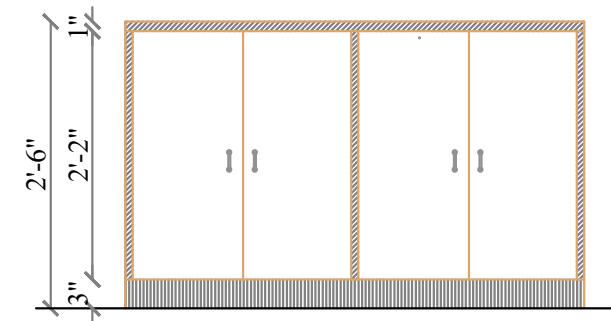
CABIN BACK SIDE  
STORAGE PLAN(3'-6" HT)



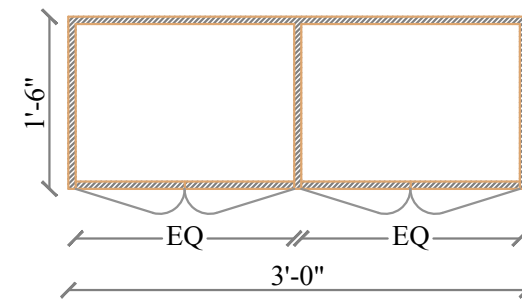
ELEVATION-A



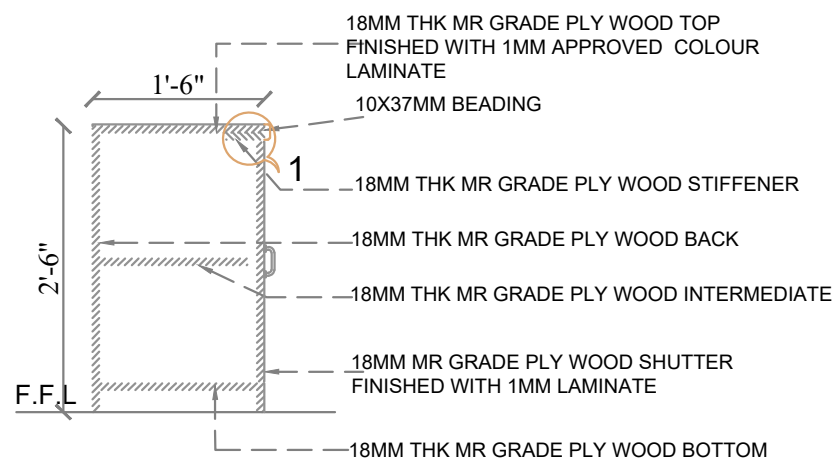
CABIN BACK SIDE  
STORAGE PLAN(3'-6" HT)



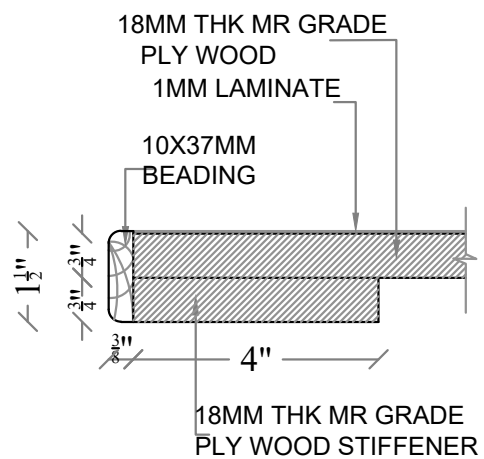
ELEVATION-A



OFFICER BACK SIDE  
STORAGE PLAN (2'-6" HT)



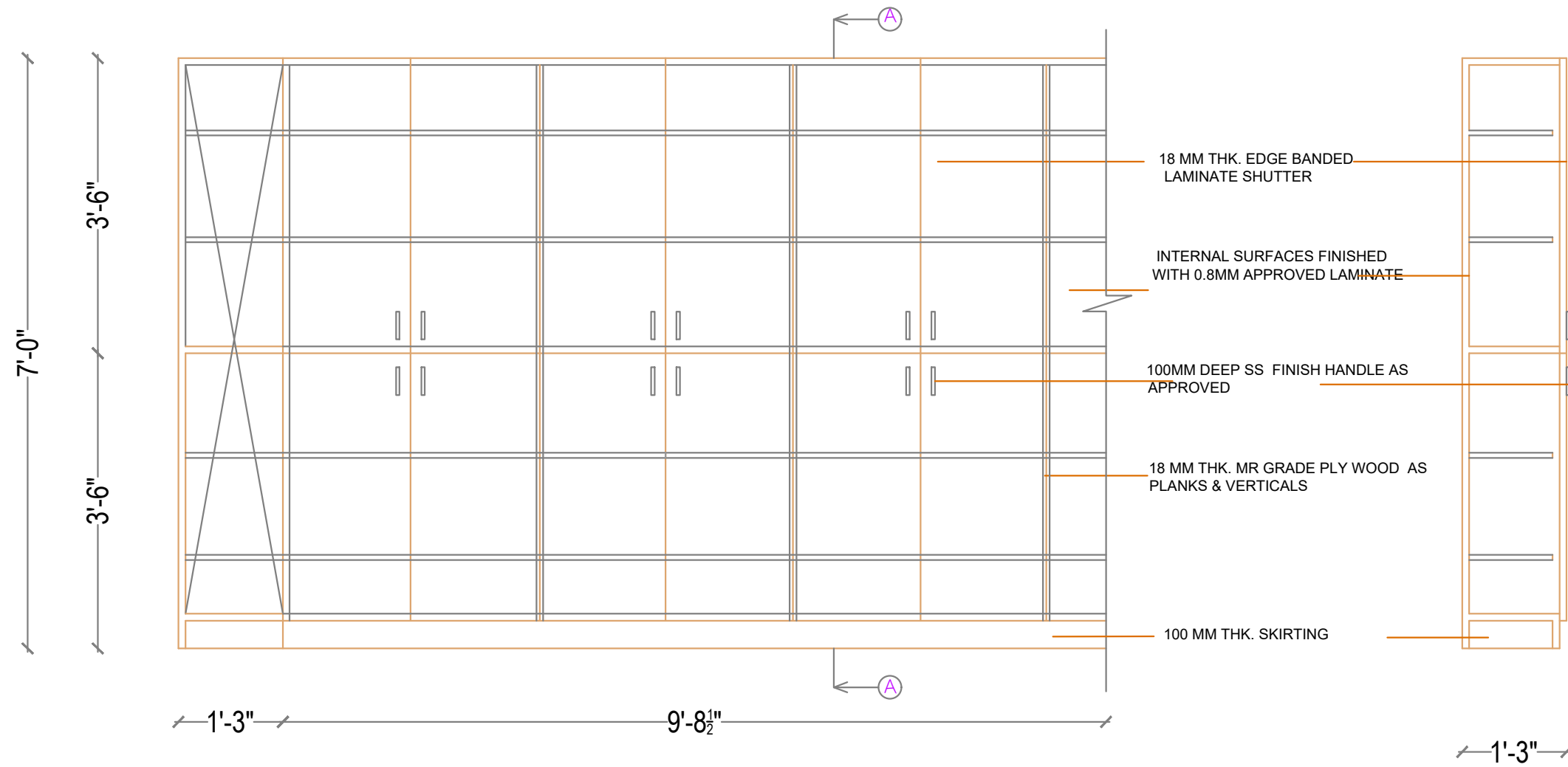
SECTION X-X



DETAIL-1

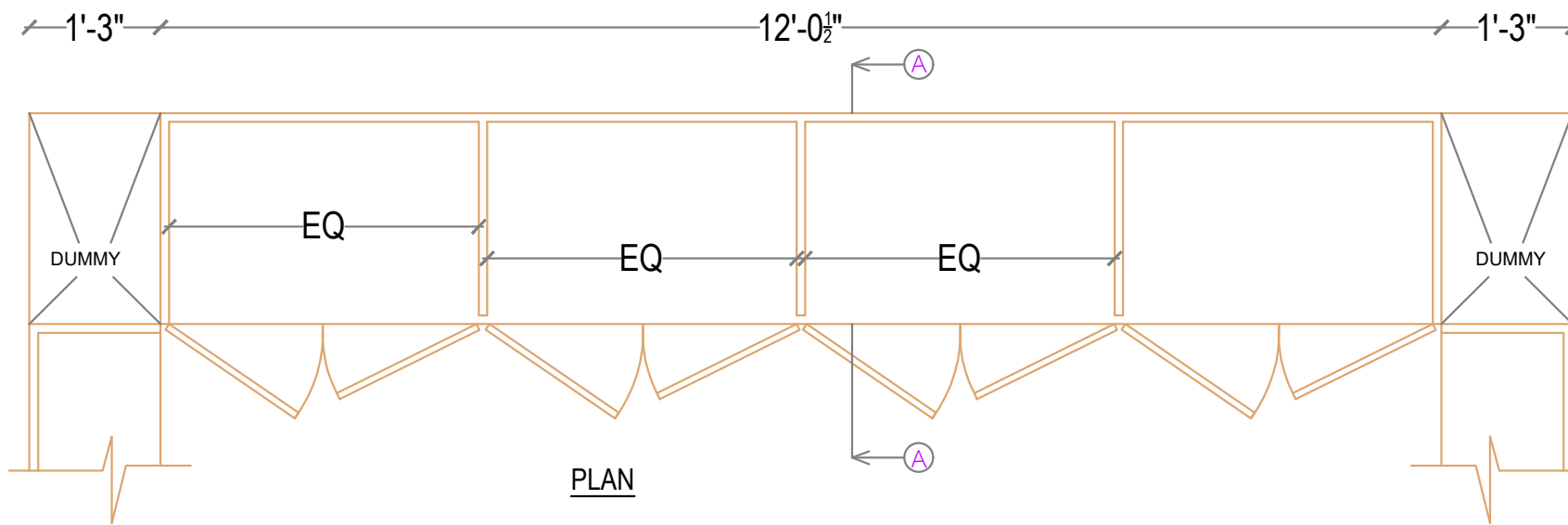
**DETAIL OF 2'6" & 3'6" STORAGE**

JOB NO	PROJECT TITLE : <b>PROPOSED INTERIOR DESIGN FOR CANARA BANK CIRCLE OFFICE SAMBAKULAM ROAD, MADURAI.</b>	DRAWING TITLE :	STORAGE DETAIL	DESIGN STAGE	SCALE	N.T.S	DRG NO	DET-01	ORIENTATION	ARCHITECTS <b>TSO DESIGN COMMUNE PVT. LTD.</b> Architects ■ Planners ■ Interior designers <small>NEW NO.16,(OLD NO.42), Ground floor, South West Boag Road, T.Nagar, Chennai - 600017, Ph : 044 - 4212 9252 Telefax : 044 - 2435 0493 E-mail : info@tsodc.com</small>
<b>1739</b>		DRAWING TYPE :	WORKING DRAWING	SCHEME LEVEL	DATE	07.10.2025	DRN	K.D		
				FINAL COPY	R.DATE	-	CHKD	K.S		



ELEVATION

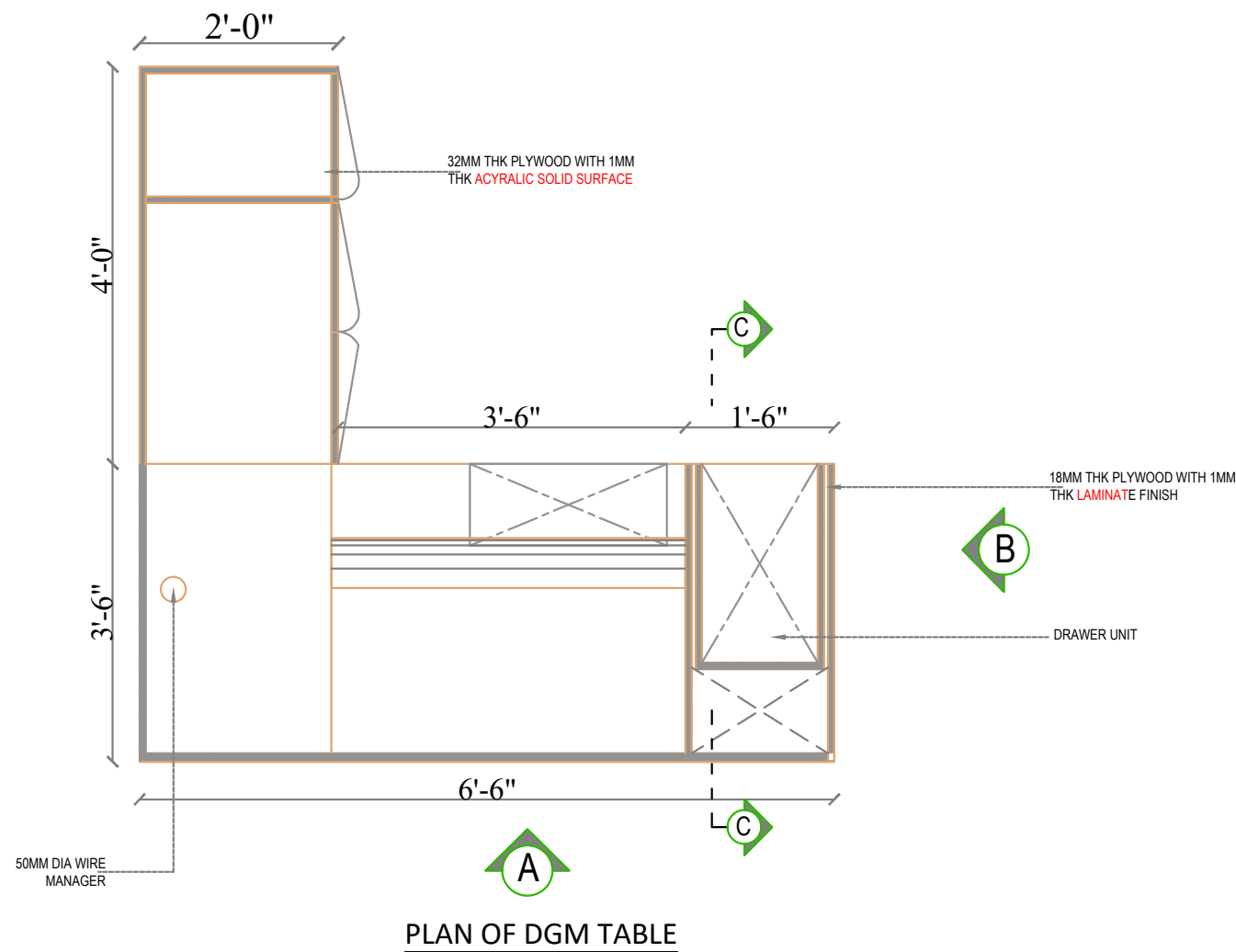
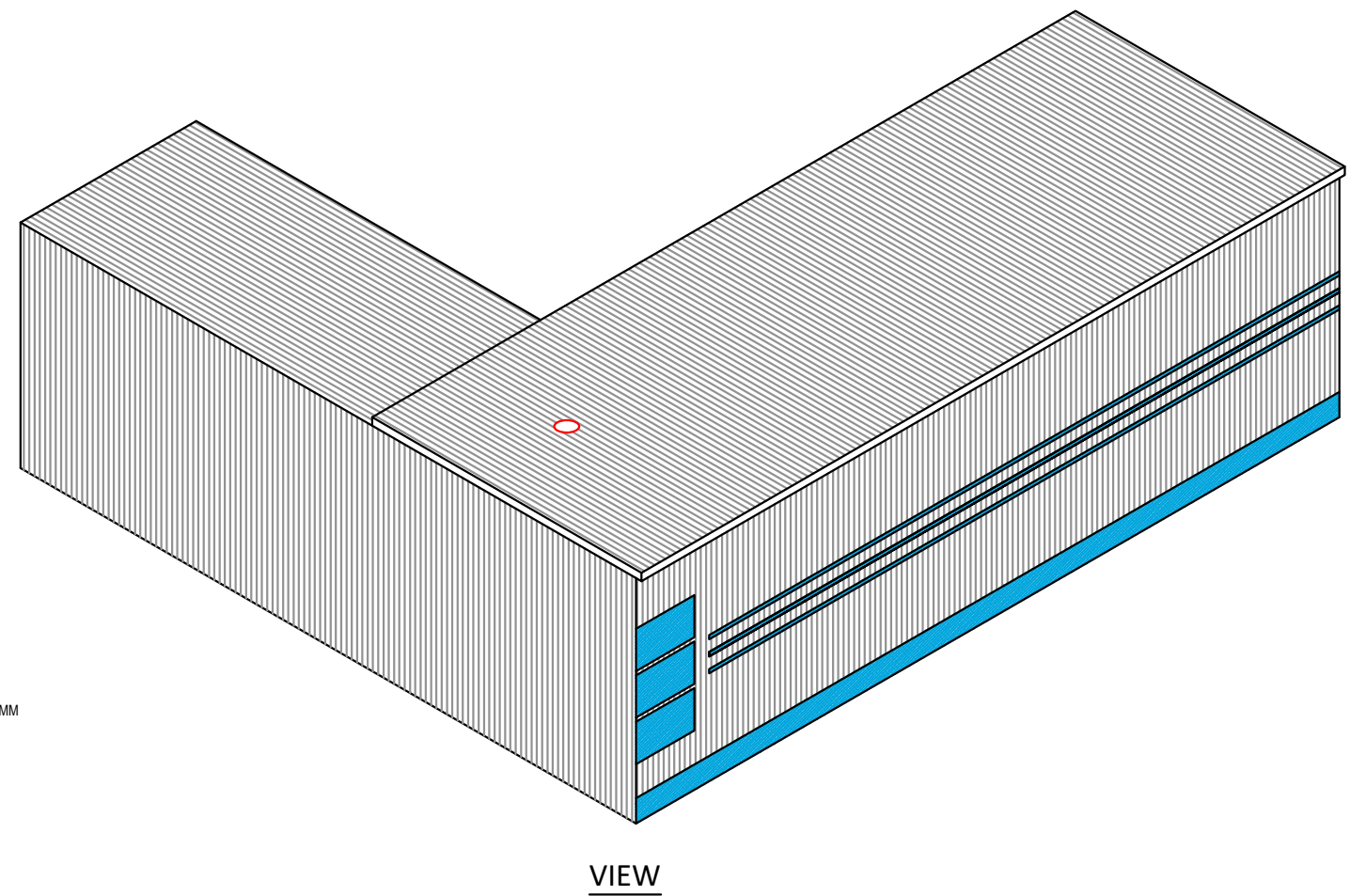
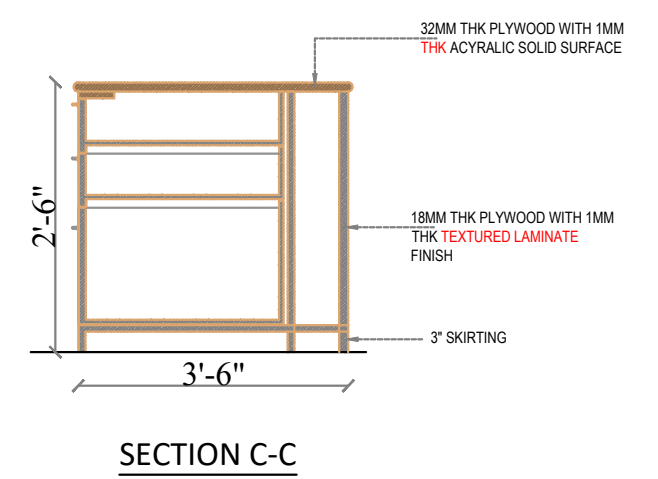
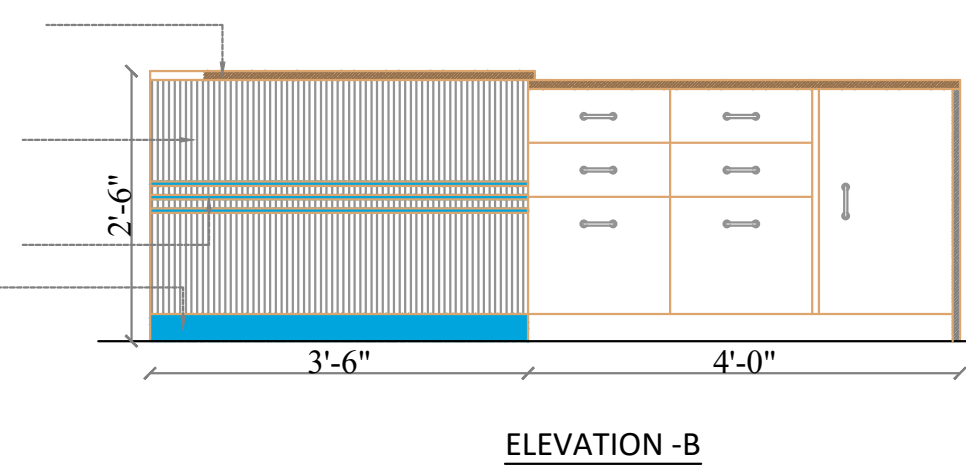
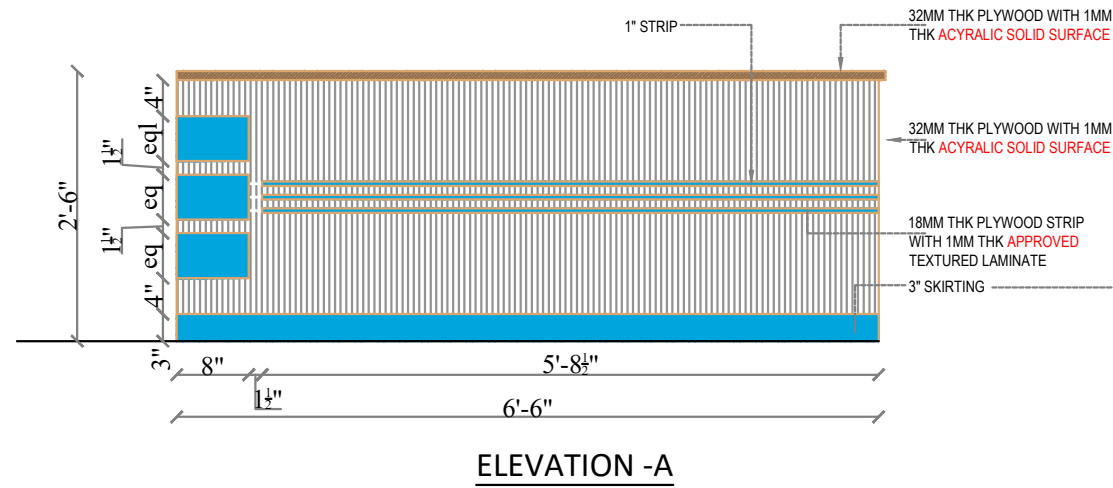
SECTION AA



PLAN

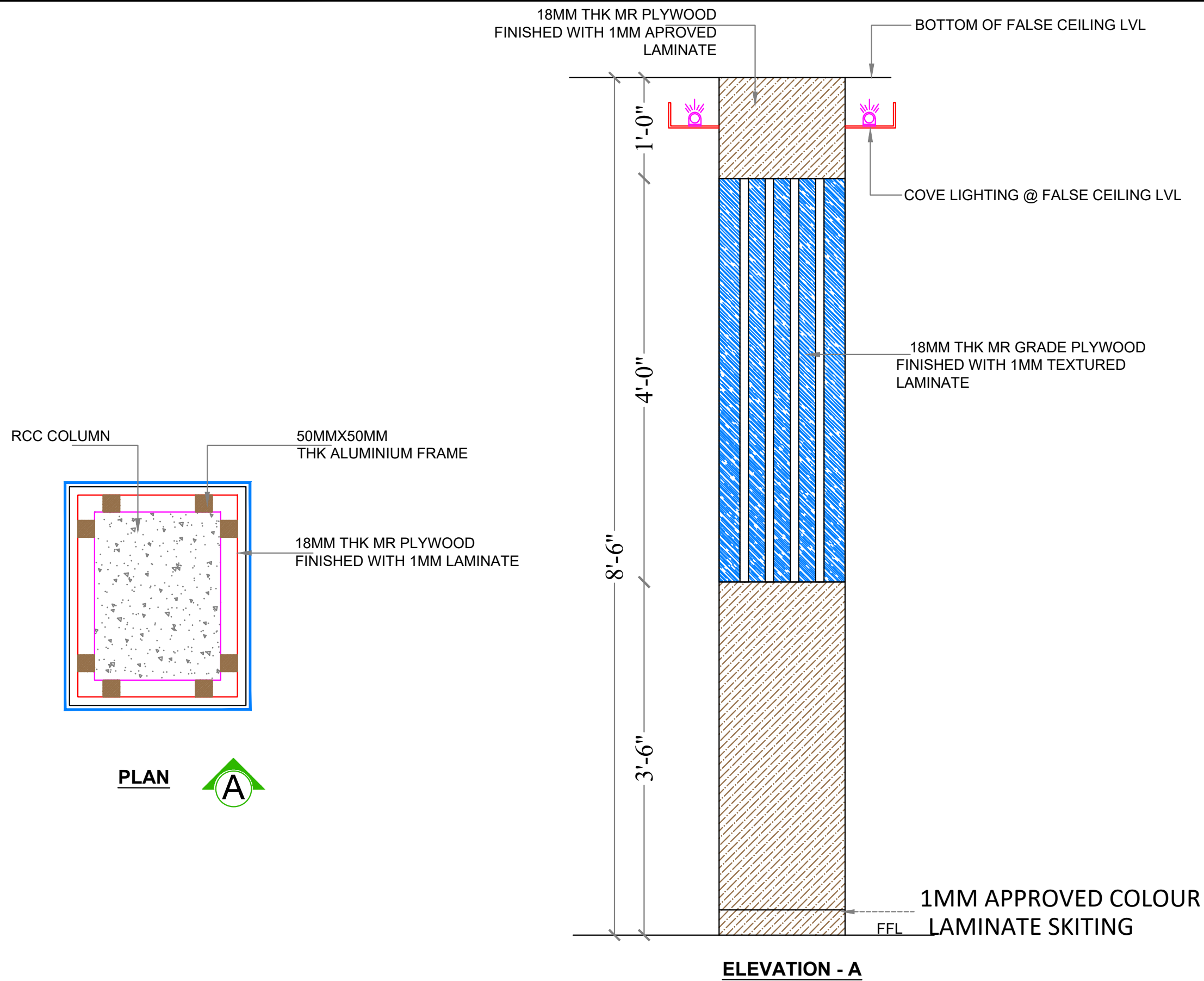
**DETAIL OF 7'-0" STORAGE**

JOB NO	PROJECT TITLE : <b>PROPOSED INTERIOR DESIGN FOR CANARA BANK CIRCLE OFFICE SAMBAKULAM ROAD, MADURAI.</b>	DRAWING TITLE :	7'-0" HT ---STORAGE DETAIL	DESIGN STAGE	SCALE	N.T.S	DRG NO	DET-01	ORIENTATION	ARCHITECTS <b>TSO DESIGN COMMUNE PVT. LTD.</b> Architects ■ Planners ■ Interior designers <small>NEW NO.16,(OLD NO.42), Ground floor, South West Boag Road, T.Nagar, Chennai - 600017, Ph : 044 - 4212 9252 Telefax : 044 - 2435 0493 E-mail : info@tsodc.com</small>
<b>1739</b>		DRAWING TYPE :	WORKING DRAWING	<input type="checkbox"/> SCHEME LEVEL <input checked="" type="checkbox"/> FINAL COPY	DATE	07.10.2025	DRN	K.D		
				R.DATE	-	CHKD	K.S			



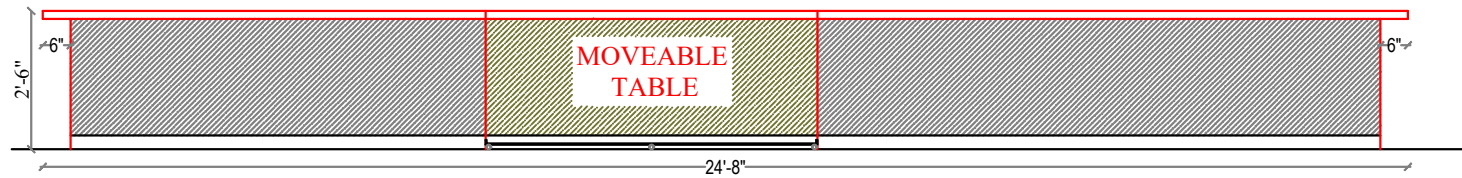
**DETAIL OF AGM TABLE**

JOB NO	PROJECT TITLE : <b>PROPOSED INTERIOR DESIGN FOR CANARA BANK CIRCLE OFFICE SAMBAKULAM ROAD, MADURAI.</b>	DRAWING TITLE :	AGM TABLE DETAIL	DESIGN STAGE	SCALE	N.T.S	DRG NO	DET-01	ORIENTATION	ARCHITECTS <b>TSO DESIGN COMMUNE PVT. LTD.</b> Architects ■ Planners ■ Interior designers NEW NO.16,(OLD NO.42), Ground floor, South West Boag Road, T.Nagar, Chennai - 600017. Ph : 044 - 4212 9252 Telefax : 044 - 2435 0493 E-mail : info@tsocd.com
<b>1739</b>		DRAWING TYPE :	WORKING DRAWING	SCHEME LEVEL	DATE	07.10.2025	DRN	K.D		
				FINAL COPY	R.DATE	-	CHKD	K.S		

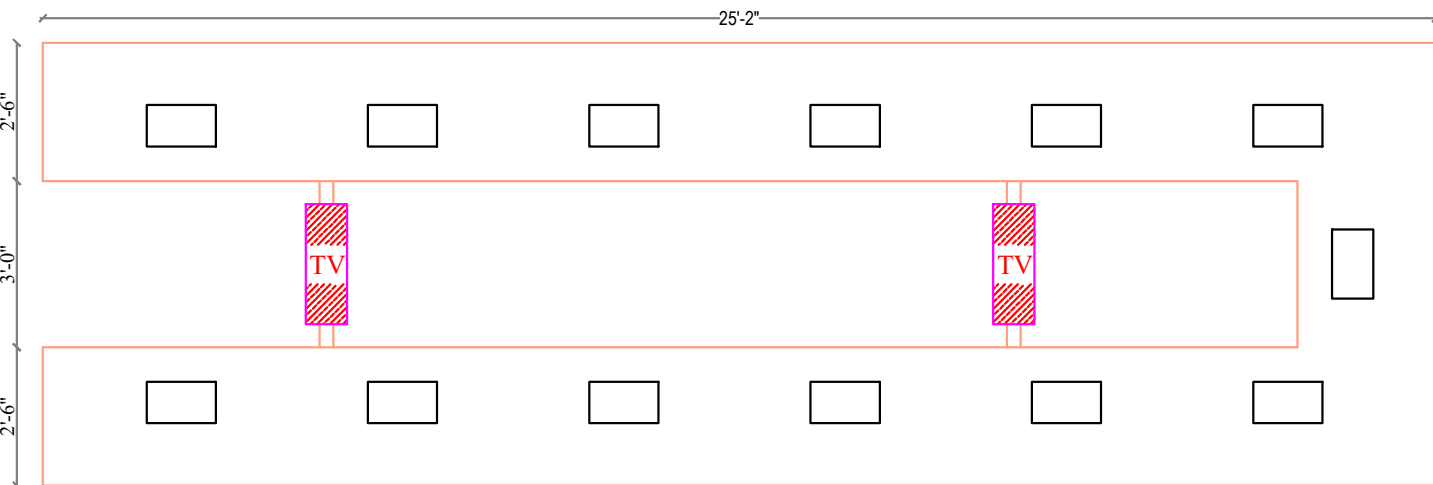


# DETAIL OF COLUMN PANELLING

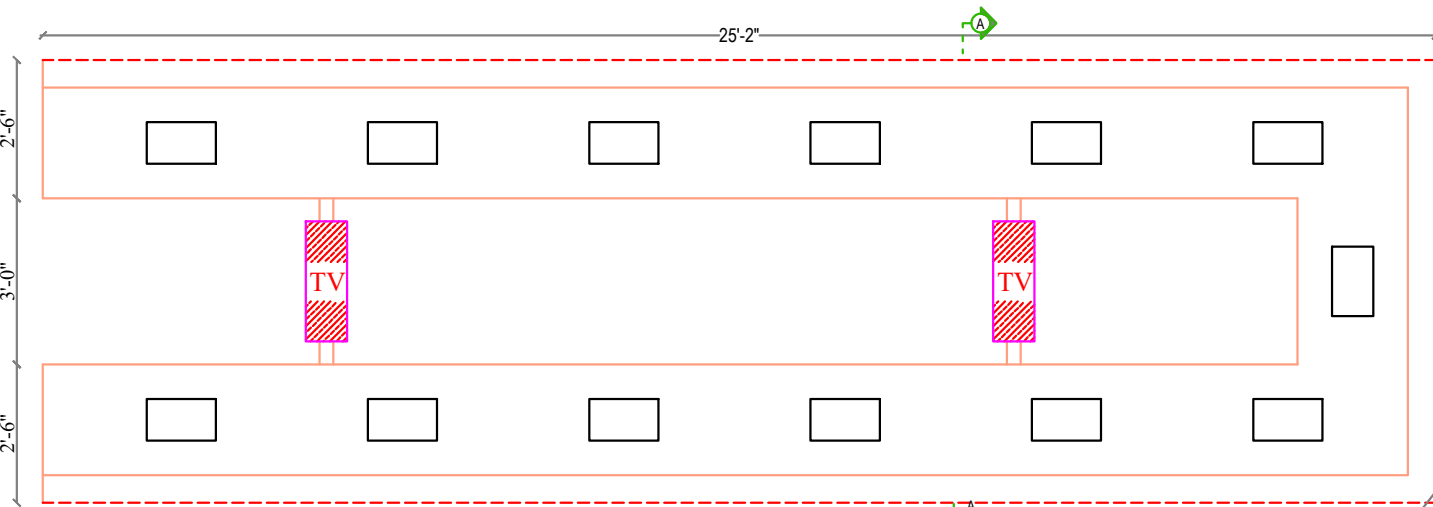
JOB NO	PROPOSED INTERIOR DESIGN FOR <b>CANARA BANK CIRCLE OFFICE</b> SAMBAKULAM ROAD, MADURAI.	DRAWING TITLE :	COLUMN PANELLING	DESIGN STAGE	SCALE	N.T.S	DRG NO	DET-01	ORIENTATION	ARCHITECTS
1739		DRAWING TYPE :	WORKING DRAWING	<input type="checkbox"/> SCHEME LEVEL	DATE	07.10.2025	DRN	K.D		<b>TSO DESIGN COMMUNE PVT. LTD.</b> Architects ■ Planners ■ Interior designers <small>NEW NO. 16, (OLD NO.42), Ground floor, South West Boag Road,          T.Nagar, Chennai - 600017. Ph : 044 - 4212 9252          Telefax : 044 - 2435 0493 E-mail : info@tsodc.com</small>
				<input checked="" type="checkbox"/> FINAL COPY	R.DATE	-	CHKD	K.S		



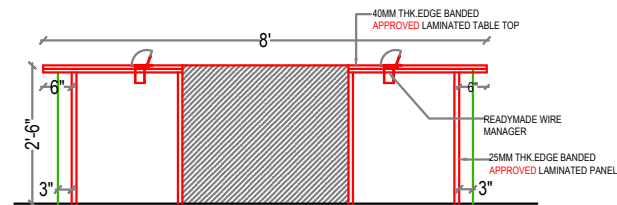
ELEVATION



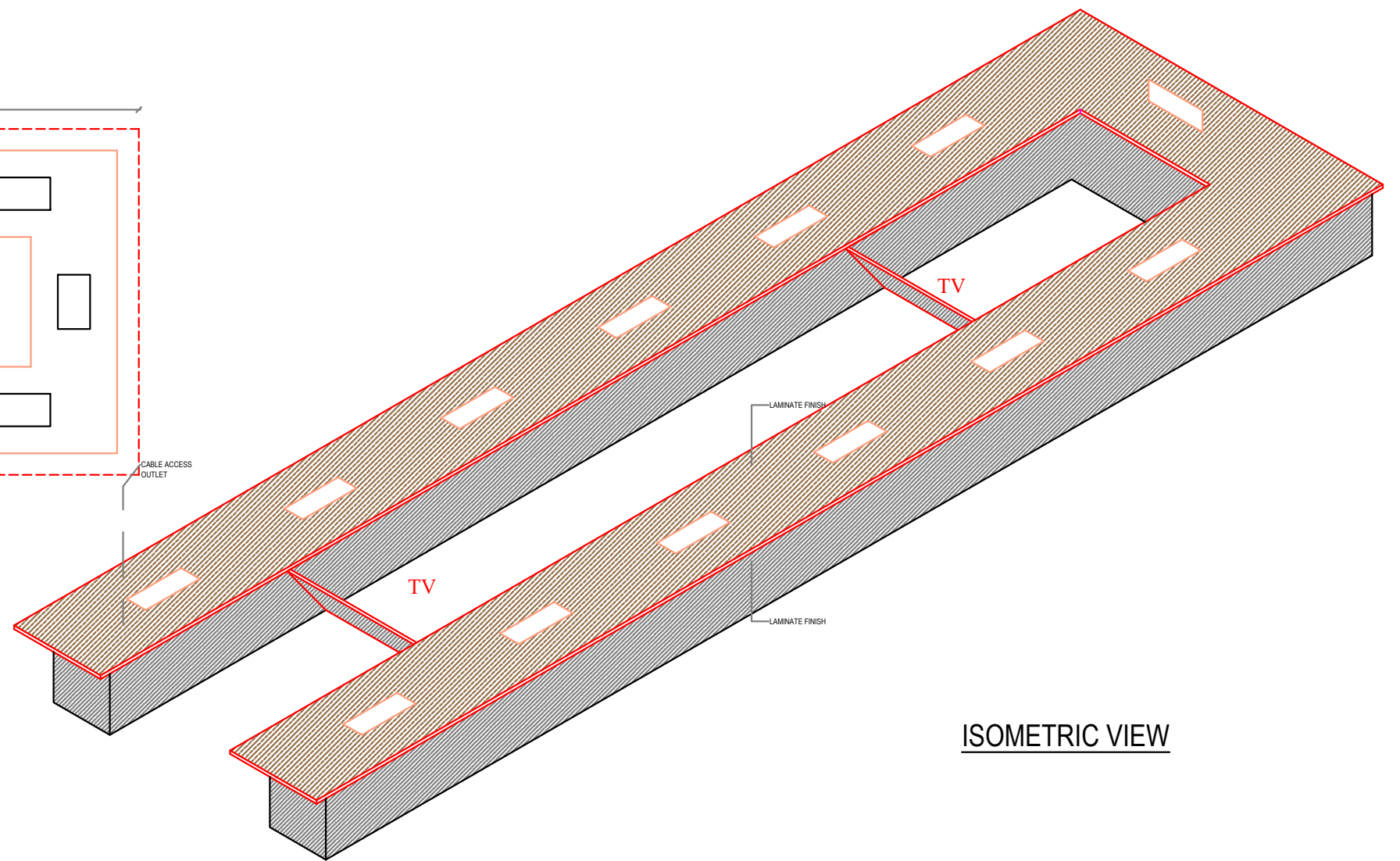
PLAN @ ABOVE +3'-0" HT



PLAN @ BELOW +2'-0" HT



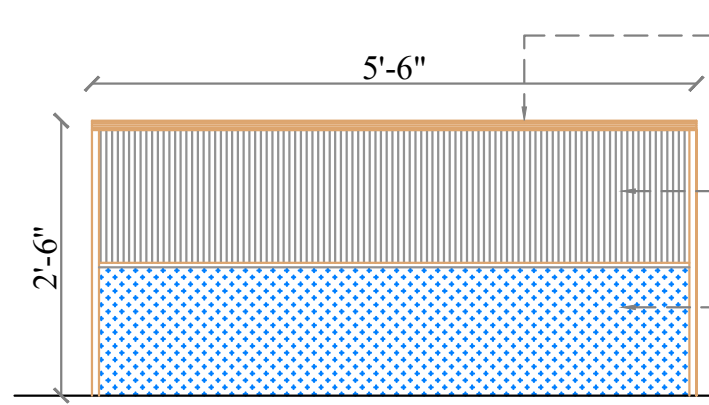
SECTION-AA



ISOMETRIC VIEW

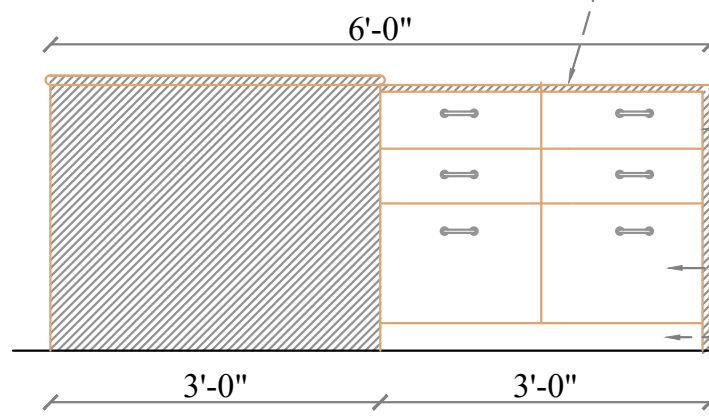
DETAIL OF CONFERENCE TABLE

JOB NO	PROJECT TITLE : <b>PROPOSED INTERIOR DESIGN FOR CANARA BANK CIRCLE OFFICE SAMBAKULAM ROAD, MADURAI.</b>	DRAWING TITLE :	CONFERENCE TABLE DETAIL	DESIGN STAGE	SCALE	N.T.S	DRG NO	DET-01	ORIENTATION	ARCHITECTS <b>TSO DESIGN COMMUNE PVT. LTD.</b> Architects ■ Planners ■ Interior designers NEW NO.16,(OLD NO.42), Ground floor, South West Boag Road, T.Nagar, Chennai - 600017. Ph : 044 - 4212 9252 Telefax : 044 - 2435 0493 E-mail : info@tsodc.com
<b>1739</b>		DRAWING TYPE :	WORKING DRAWING	SCHEME LEVEL	DATE	07.10.2025	DRN	K.D		
				FINAL COPY	R.DATE	-	CHKD	K.S		



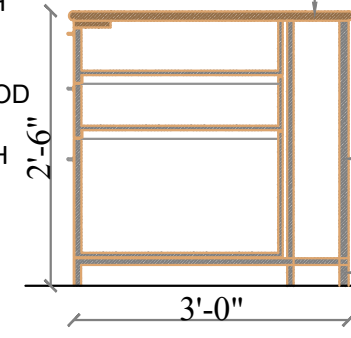
ELEVATION -A

18MM MR GRADE PLY WOOD FINISHED WITH 1MM APPROVED LAMINATE  
 18MM MR GRADE PLY WOOD  
 FINISHED WITH 1MM THK APPROVED LAMINATE FINISH  
 18MM MR GRADE PLY WOOD FINISHED WITH 1MM THK APPROVED COLOUR LAMINATE



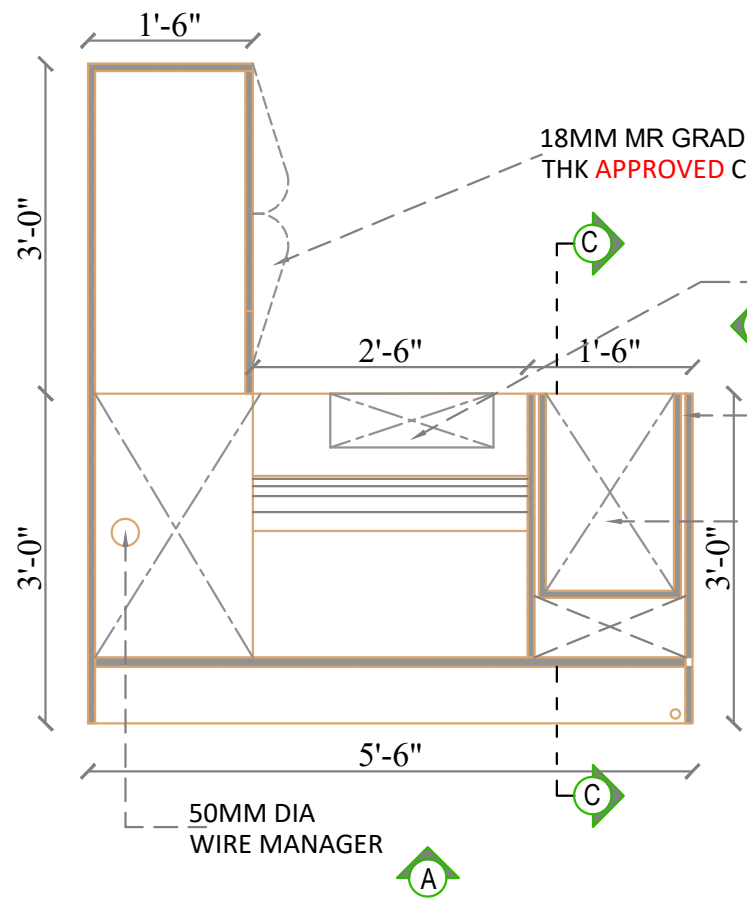
ELEVATION -B

18MM MR GRADE PLY WOOD FINISHED WITH 1MM THK APPROVED LAMINATE FINISH  
 18MM MR GRADE PLY WOOD FINISHED WITH 1MM THK APPROVED LAMINATE FINISH  
 PULL OUT DRAW UNIT  
 3" HT SKITING



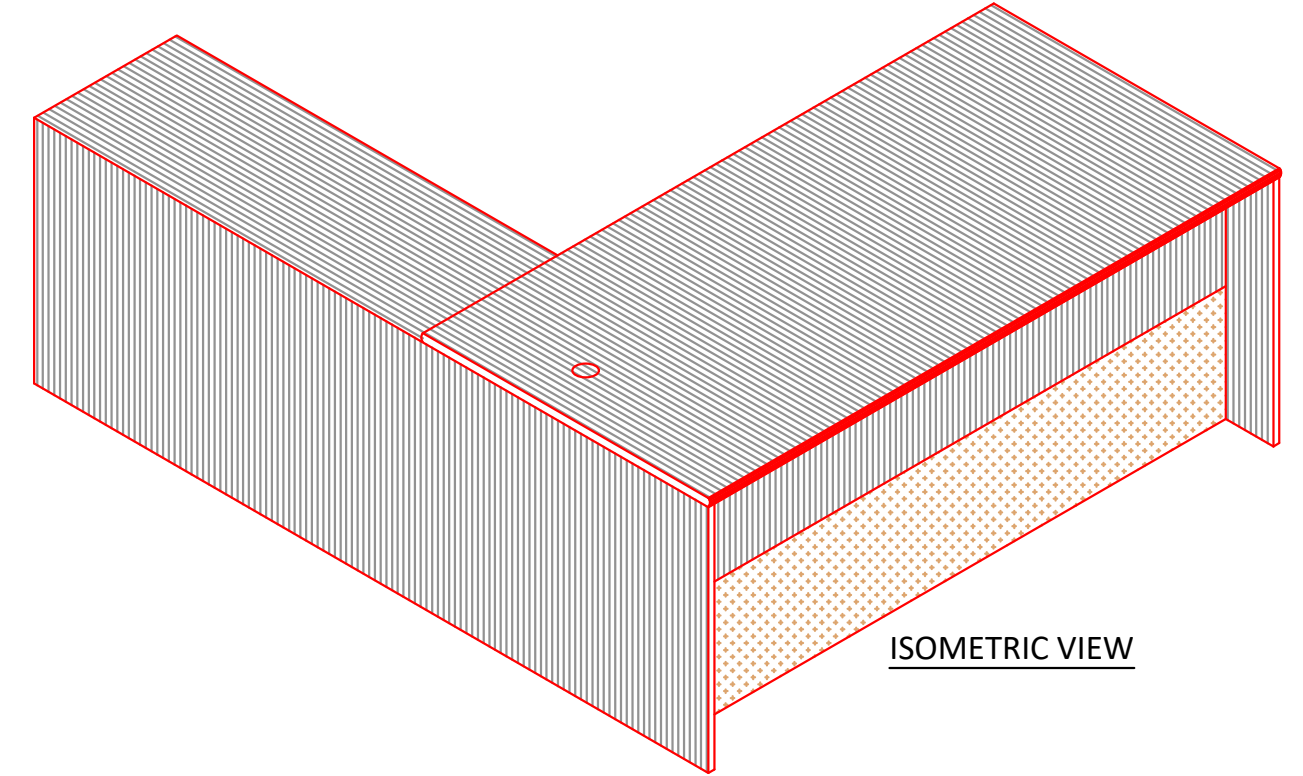
SECTION C-C

MR GRADE PLY WOOD POST FORMED EDGE  
 18MM MR GRADE PLY WOOD FINISHED WITH 1MM THK APPROVED COLOUR LAMINATE FINISH  
 3" HT SKITING



PLAN BELOW TABLE TOP

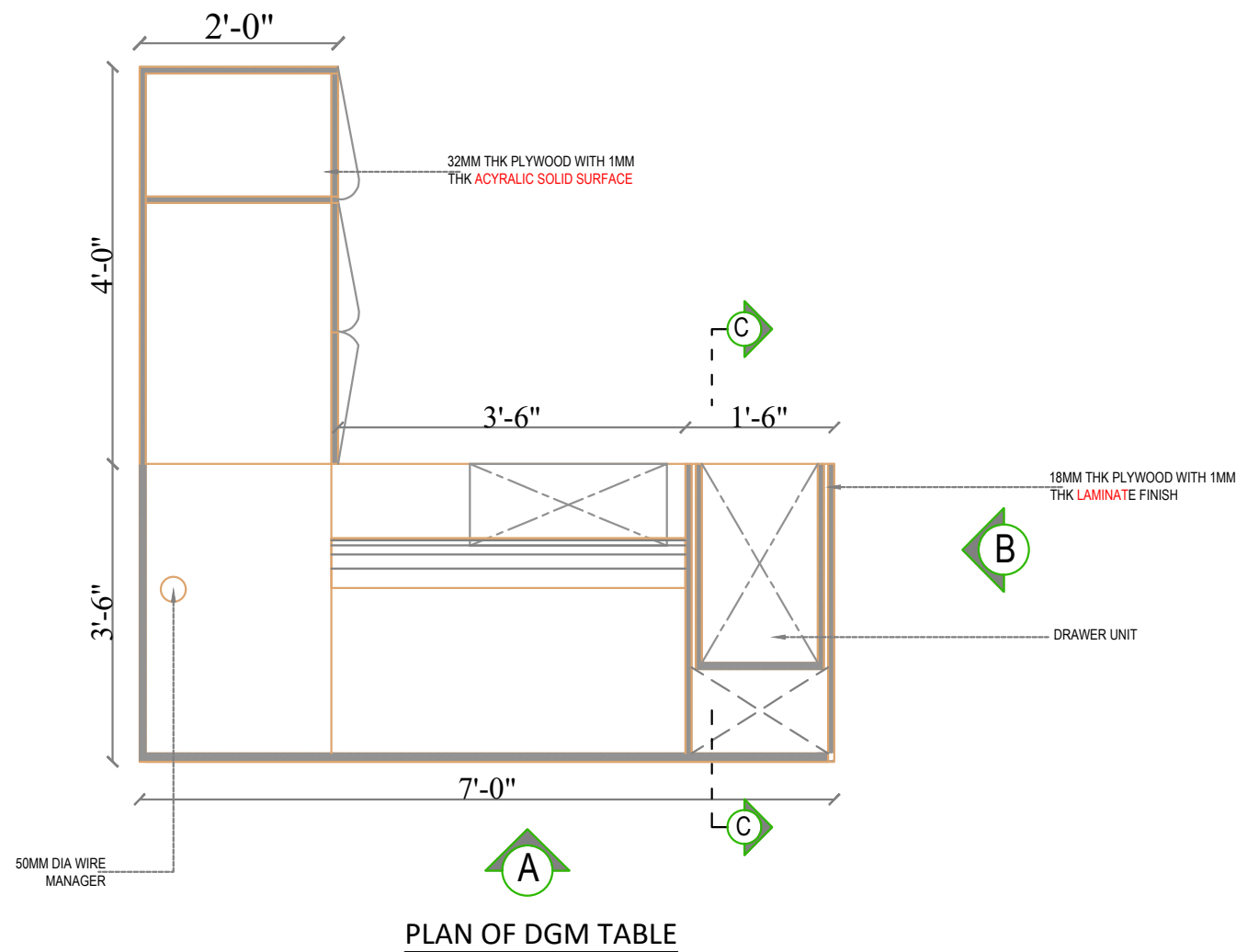
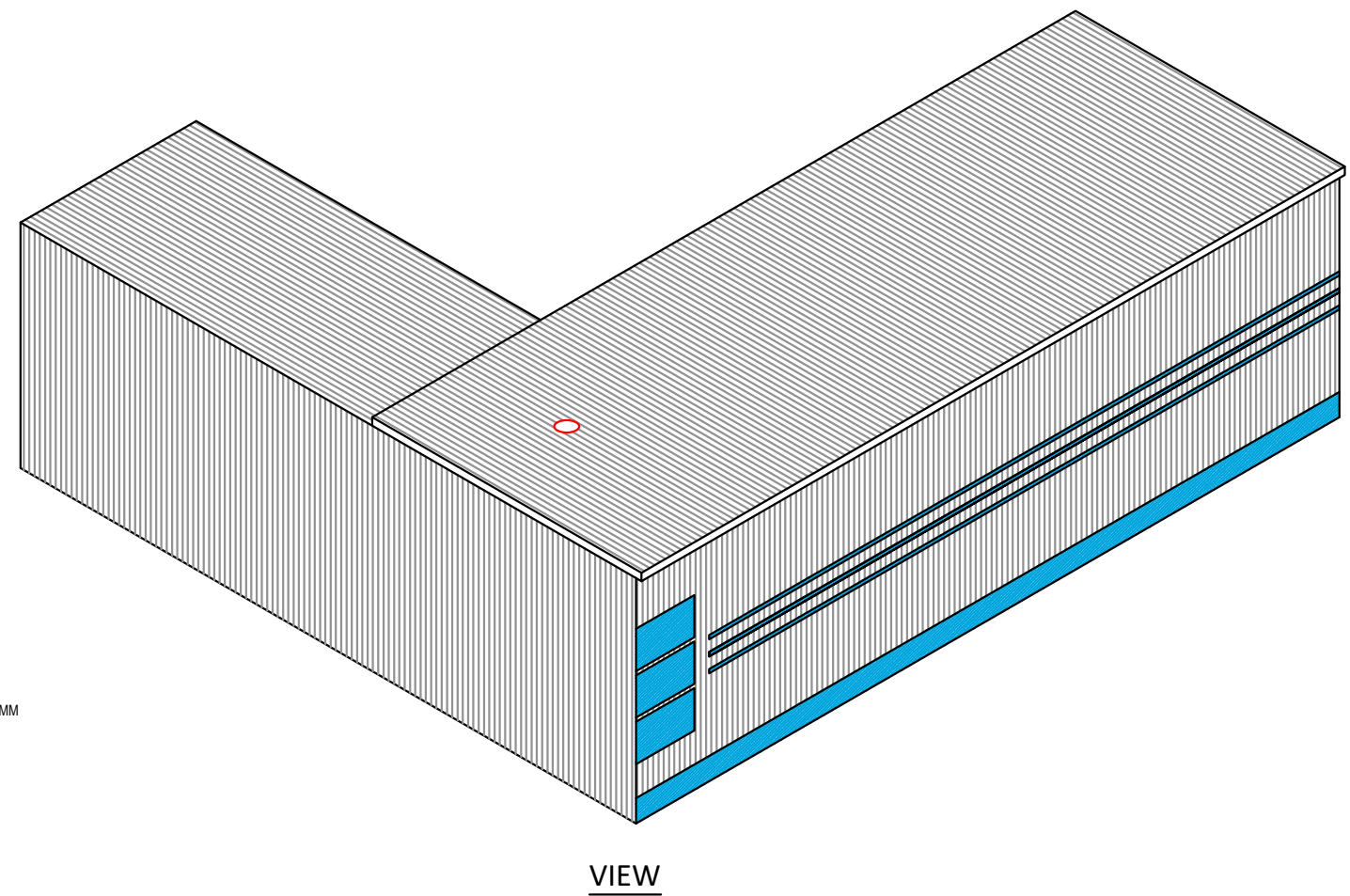
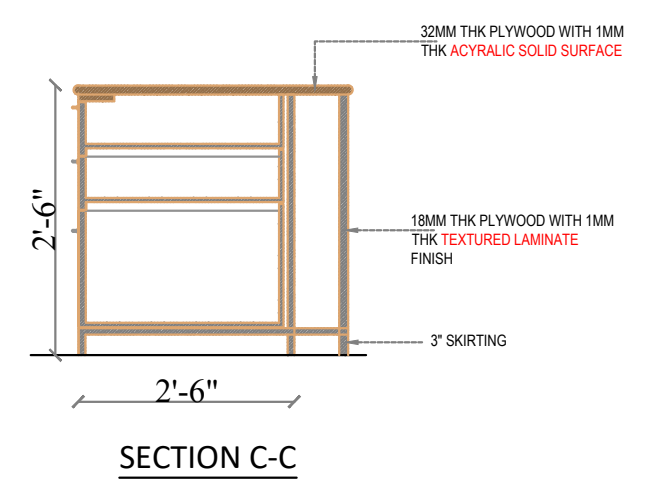
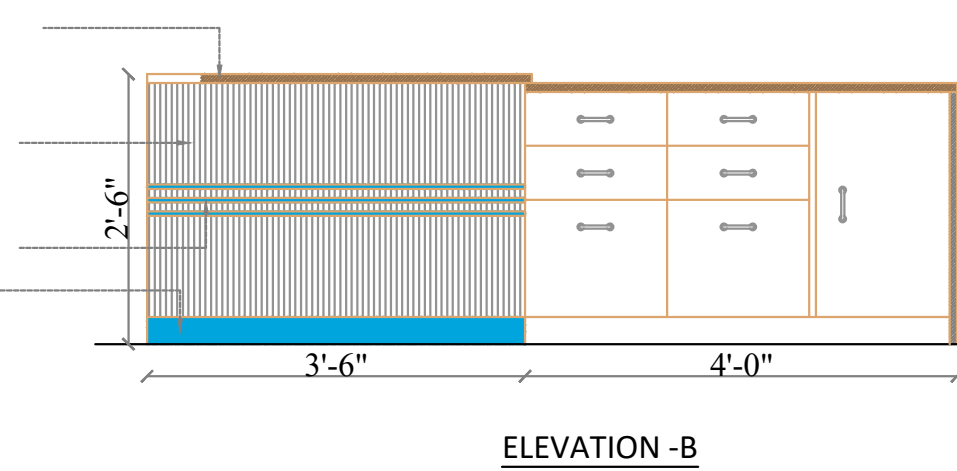
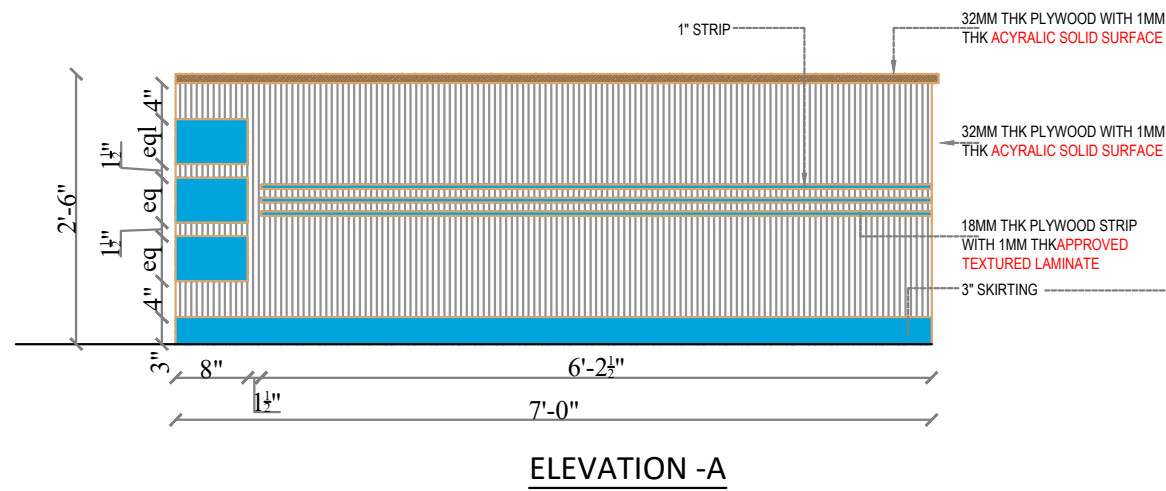
18MM MR GRADE PLY WOOD FINISHED WITH 1MM THK APPROVED COLOUR LAMINATE FINISH  
 M.S POWDER COATED KEYBOARD TRAY  
 18MM MR GRADE PLY WOOD FINISHED WITH 1MM THK APPROVED COLOUR LAMINATE FINISH  
 DRAW UNIT  
 50MM DIA WIRE MANAGER



ISOMETRIC VIEW

**DETAIL OF DM , SM & MGR TABLE**

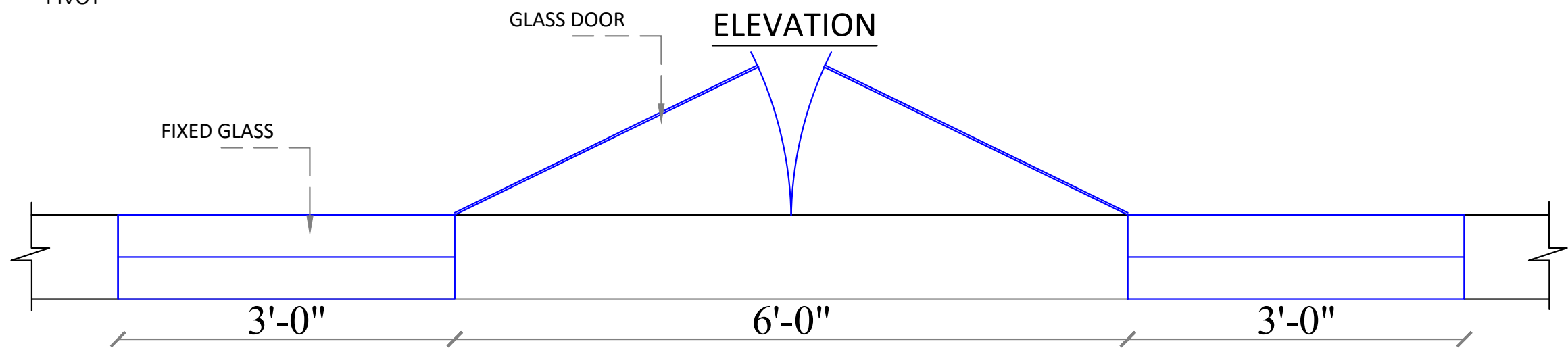
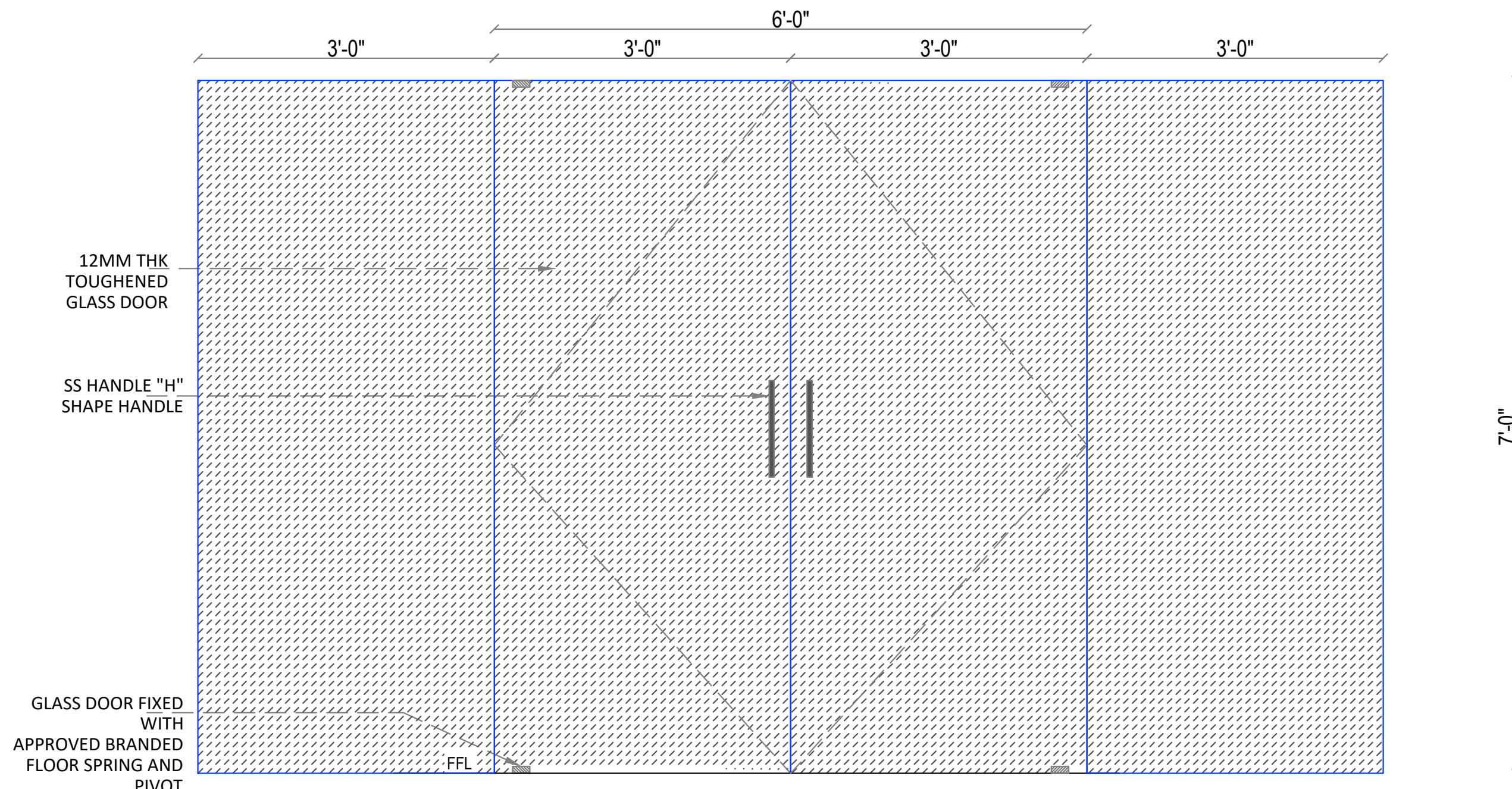
JOB NO	PROJECT TITLE : <b>PROPOSED INTERIOR DESIGN FOR CANARA BANK CIRCLE OFFICE SAMBAKULAM ROAD, MADURAI.</b>	DRAWING TITLE :	DM , SM & MGR TABLE DETAIL	DESIGN STAGE	SCALE	N.T.S	DRG NO	DET-03	ORIENTATION	ARCHITECTS <b>TSO DESIGN COMMUNE PVT. LTD.</b> Architects ■ Planners ■ Interior designers NEW NO.16 (OLD NO.42), Ground floor, South West Boag Road, T.Nagar, Chennai - 600017. Ph : 044 - 4212 9252 Telefax : 044 - 2435 0493 E-mail : info@tsodc.com								
<b>1739</b>		DRAWING TYPE :	WORKING DRAWING	<table border="1"> <tr> <td></td> <td>SCHEME LEVEL</td> <td>DATE</td> <td>07.10.2025</td> <td>DRN</td> <td>K.D</td> </tr> <tr> <td></td> <td>FINAL COPY</td> <td>R.DATE</td> <td>-</td> <td>CHKD</td> <td>K.S</td> </tr> </table>		SCHEME LEVEL	DATE	07.10.2025	DRN		K.D		FINAL COPY	R.DATE	-	CHKD	K.S	
	SCHEME LEVEL	DATE	07.10.2025	DRN	K.D													
	FINAL COPY	R.DATE	-	CHKD	K.S													



**DETAIL OF DGM TABLE**

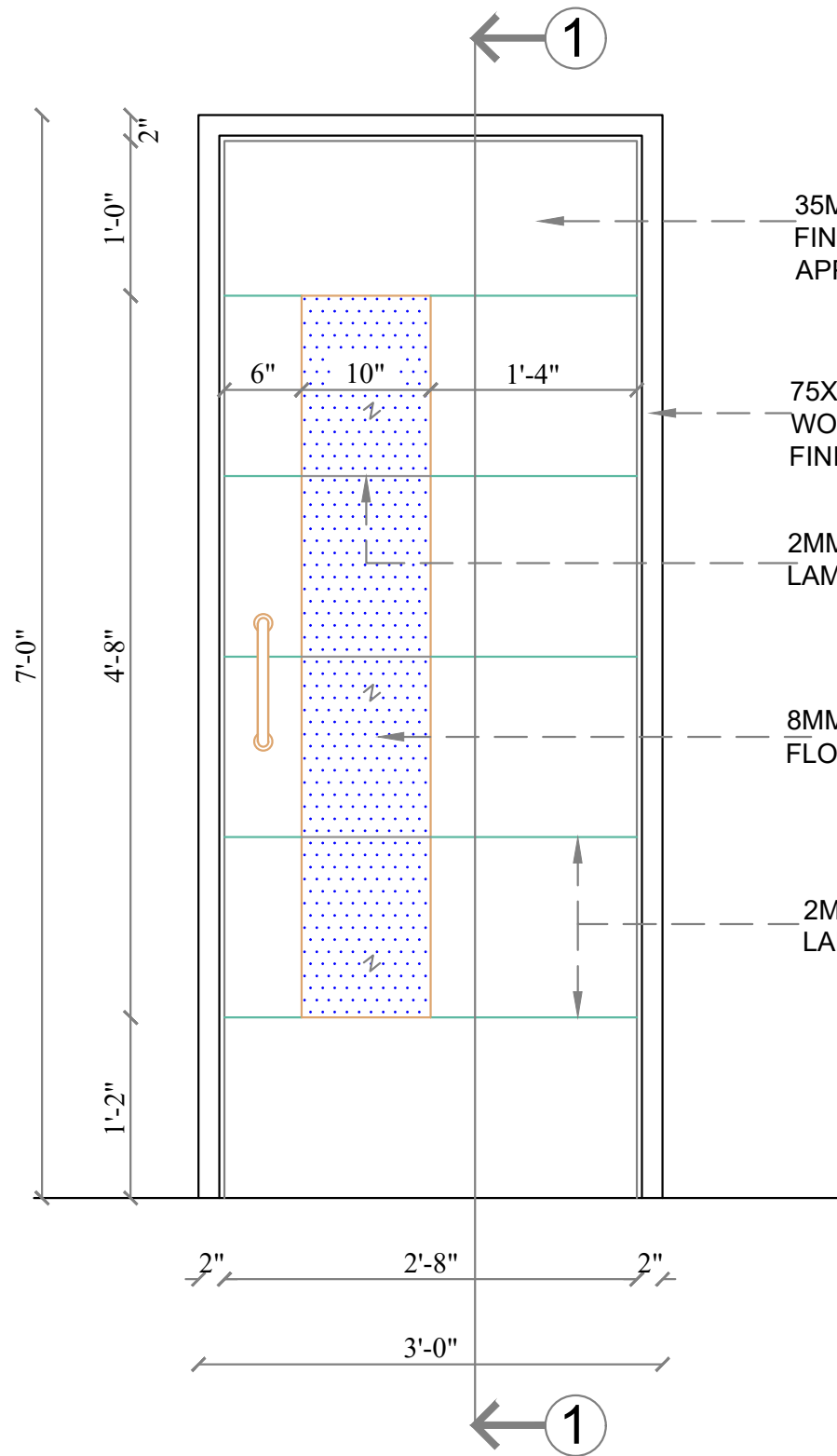
JOB NO	PROJECT TITLE : <b>PROPOSED INTERIOR DESIGN FOR CANARA BANK CIRCLE OFFICE SAMBAKULAM ROAD, MADURAI.</b>	DRAWING TITLE :	DGM TABLE DETAIL	DESIGN STAGE	SCALE	N.T.S	DRG NO	DET-01	ORIENTATION	ARCHITECTS <b>TSO DESIGN COMMUNE PVT. LTD.</b> Architects ■ Planners ■ Interior designers NEW NO.16,(OLD NO.42), Ground floor, South West Boag Road, T.Nagar, Chennai - 600017. Ph : 044 - 4212 9252 Telefax : 044 - 2435 0493 E-mail : info@tsocd.com
<b>1739</b>		DRAWING TYPE :	WORKING DRAWING				DRN	K.D		
							CHKD	K.S		



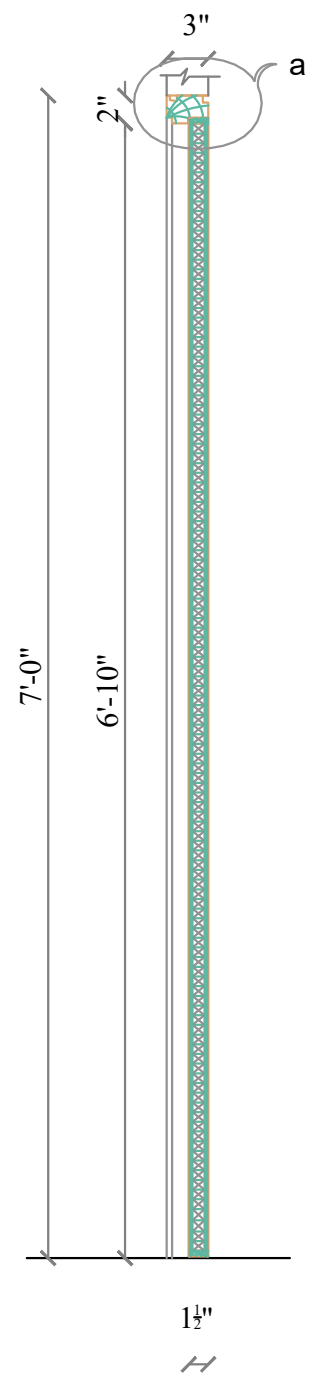


# DETAIL OF MAIN ENTRANCE

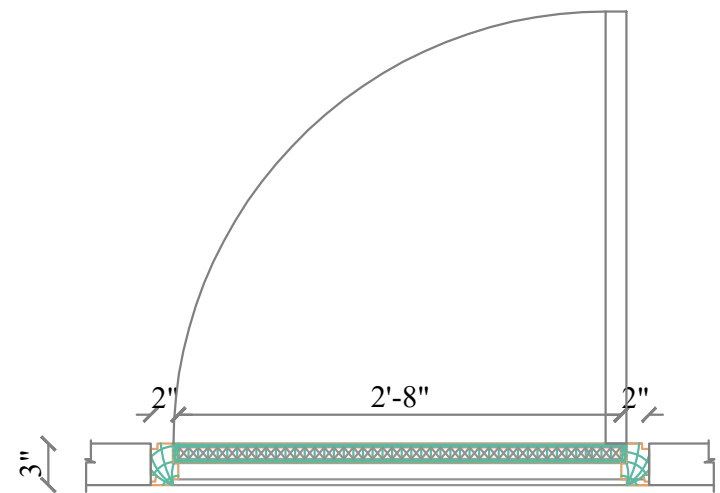
JOB NO	PROJECT TITLE: <b>1739</b>	PROPOSED INTERIOR DESIGN FOR <b>CANARA BANK CIRCLE OFFICE</b> SAMBAKULAM ROAD, MADURAI.	DRAWING TITLE : MAIN ENTRANCE	DESIGN STAGE	SCALE	N.T.S	DRG NO	DET-01	ORIENTATION	ARCHITECTS <b>TSO DESIGN COMMUNE PVT. LTD.</b> Architects ■ Planners ■ Interior designers <small>NEW NO.16,(OLD NO.42), Ground floor, South West Boag Road, T.Nagar, Chennai - 600017. Ph : 044 - 4212 9252 Telefax : 044 - 2435 0493 E-mail : info@tsocd.com</small>
		DRAWING TYPE : WORKING DRAWING	<div style="display: flex; align-items: center;"> <div style="width: 15px; height: 10px; border: 1px solid black; margin-right: 5px;"></div> <span>SCHEME LEVEL</span> </div> <div style="display: flex; align-items: center;"> <div style="width: 15px; height: 10px; background-color: #cccccc; border: 1px solid black; margin-right: 5px;"></div> <span>FINAL COPY</span> </div>	DATE	25.09.2025	DRN	K.D			
				R.DATE	-	CHKD	K.S			



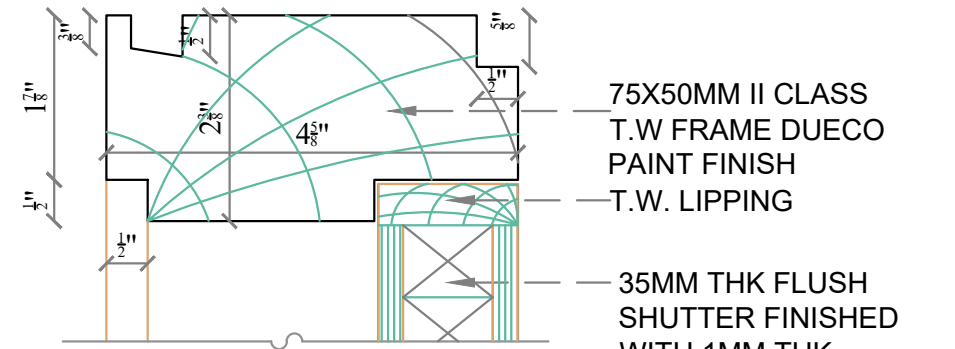
**ELEVATION - A**



**SECTION 1-1**



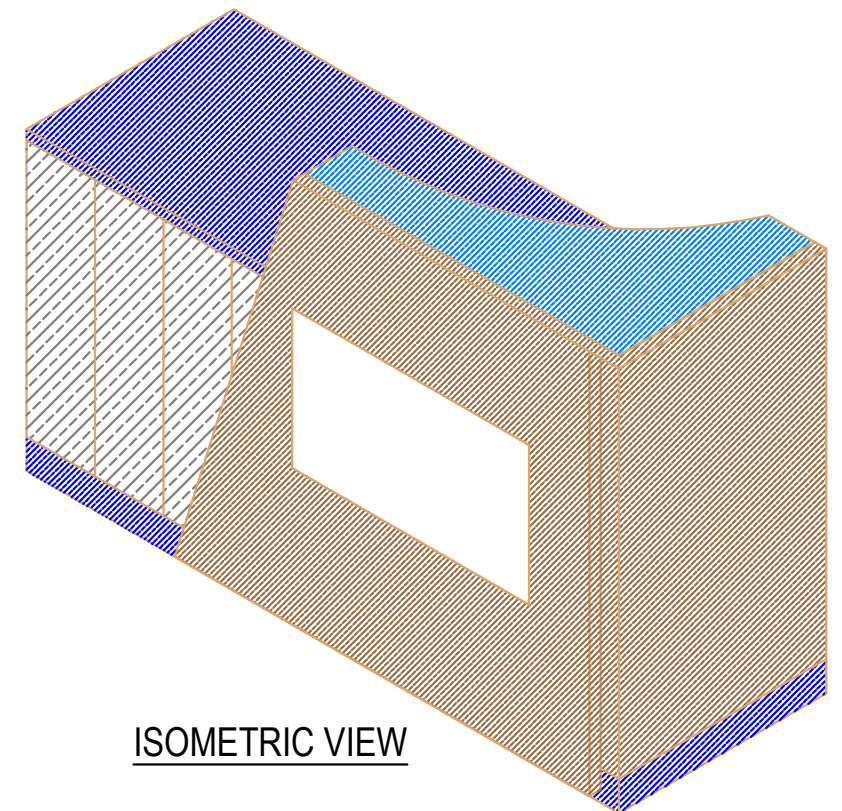
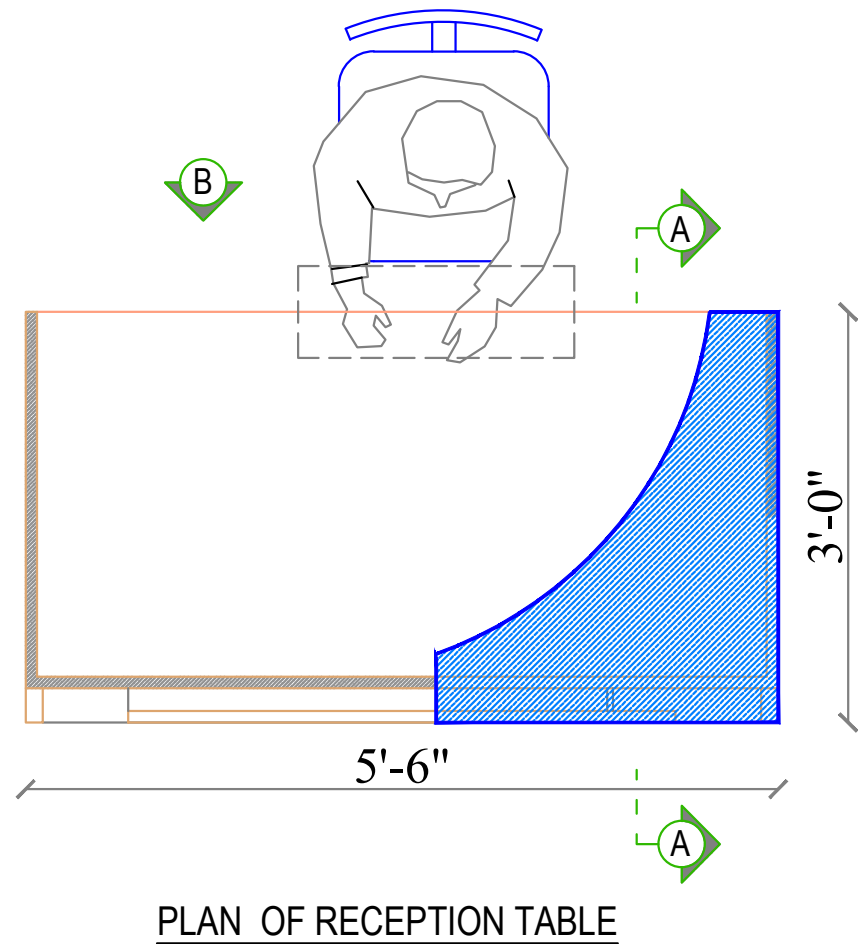
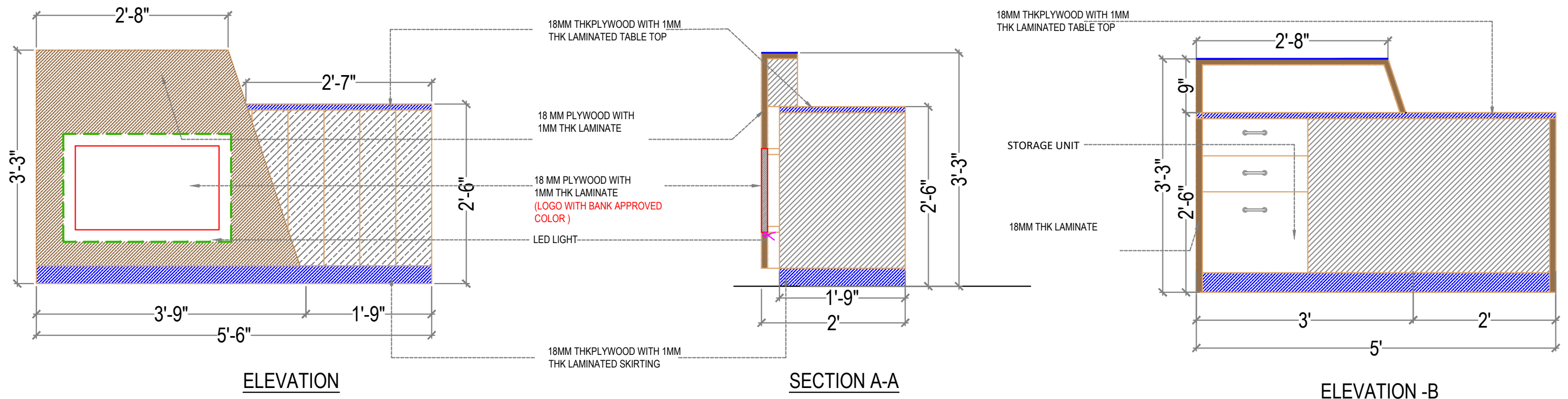
**PLAN FOR PARTLY GLASS DOOR**



**DETAIL - A**

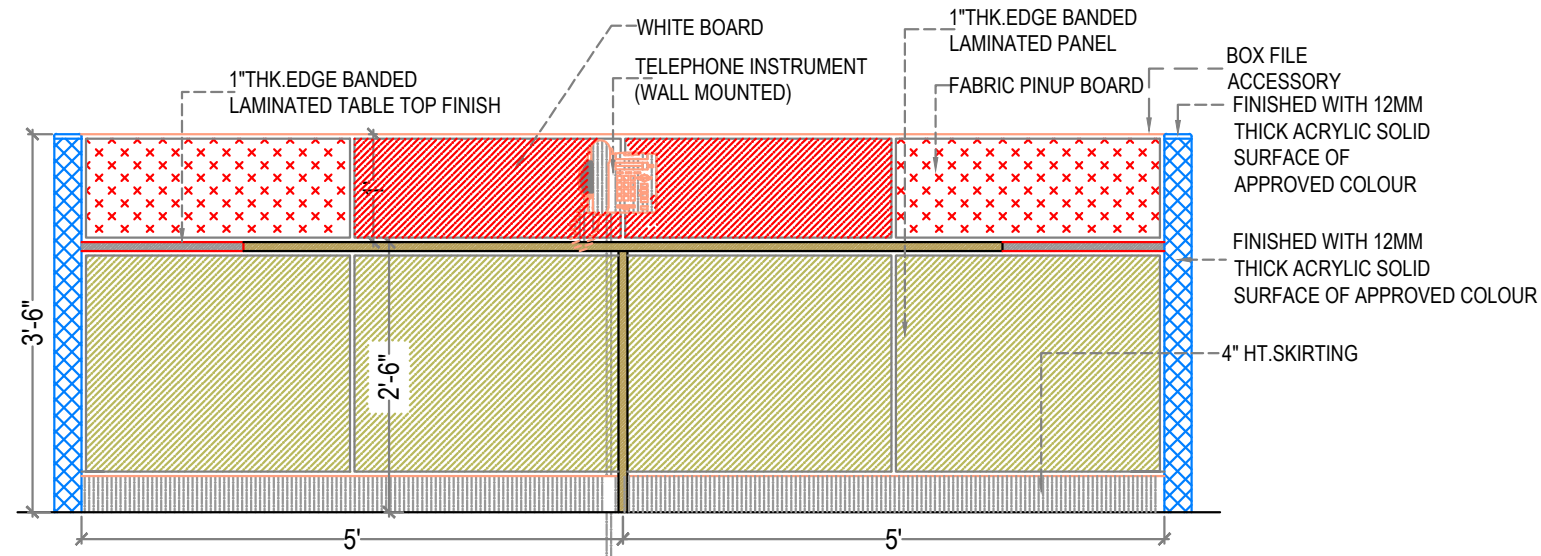
# DETAIL OF PARTLY GLASS DOOR

<b>JOB NO</b>	1739	<b>PROJECT TITLE:</b>	PROPOSED INTERIOR DESIGN FOR <b>CANARA BANK CIRCLE OFFICE</b> SAMBAKULAM ROAD, MADURAI.	<b>DRAWING TITLE:</b>	PARTLY GLASS DOOR	<b>DESIGN STAGE</b>	SCHEME LEVEL	<b>SCALE</b>	N.T.S	<b>DRG NO</b>	DET-01	<b>ORIENTATION</b>	<b>ARCHITECTS</b>
				<b>DRAWING TYPE:</b>	WORKING DRAWING		FINAL COPY	<b>DATE</b>	07.10.2025	<b>DRN</b>	K.D		<b>TSO DESIGN COMMUNE PVT. LTD.</b> Architects ■ Planners ■ Interior designers <small>NEW NO.16, (OLD NO.42), Ground floor, South West Bypass Road,          Thiruvananthapuram - 695017. Ph: 044-4212 8252          Textfax: 044-4212 0452 E-mail: info@tsodc.com</small>
								<b>R.DATE</b>	-	<b>CHKD</b>	K.S		

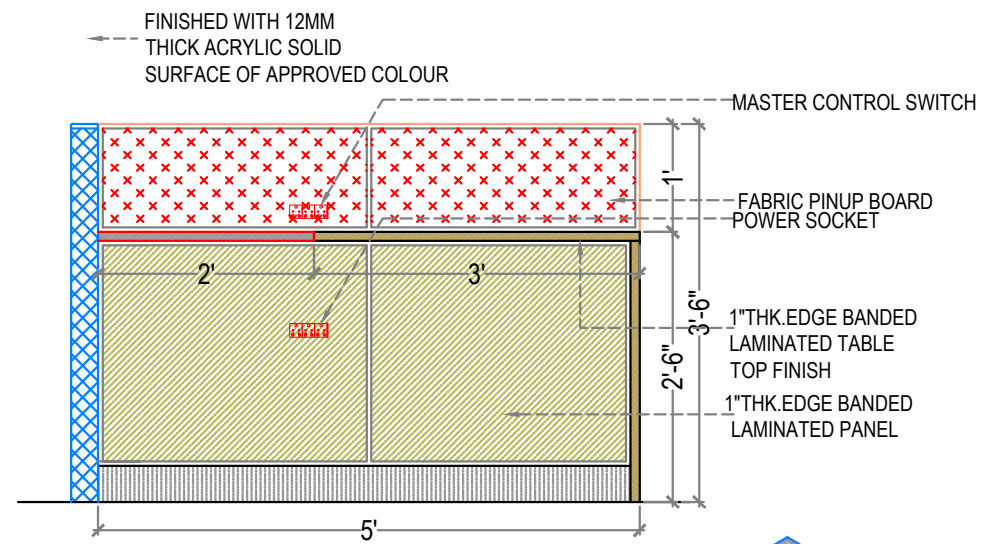


# DETAIL OF RECEPTION TABLE

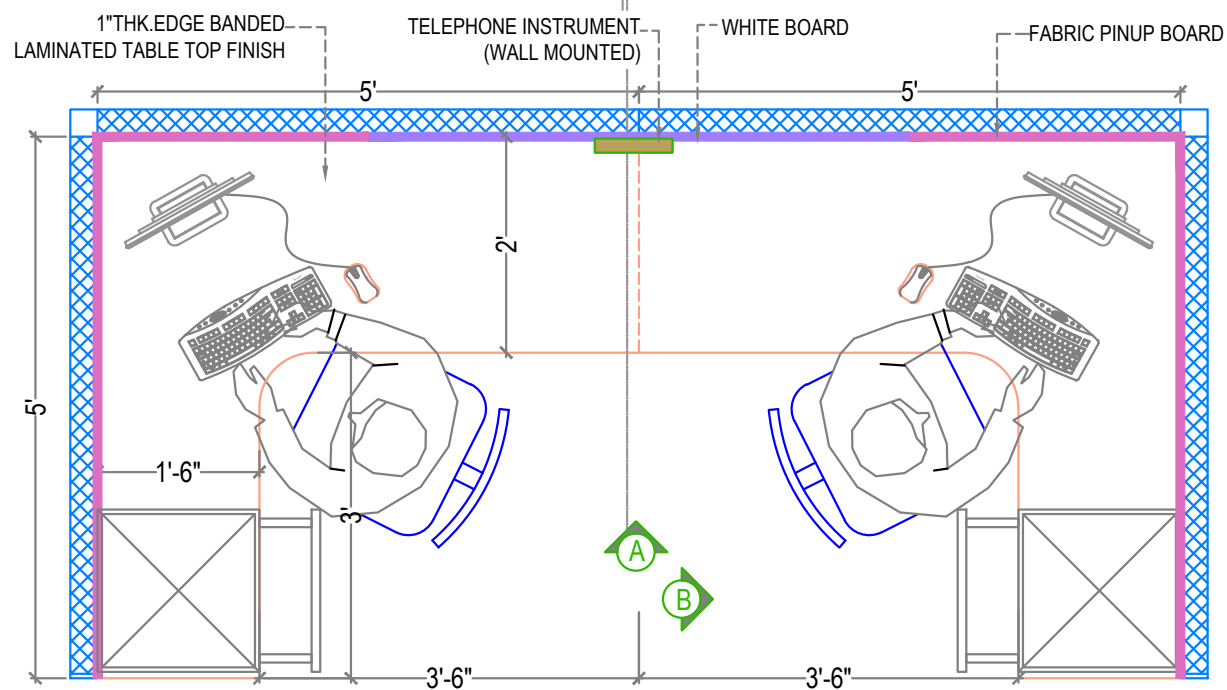
JOB NO	PROJECT TITLE : <b>PROPOSED INTERIOR DESIGN FOR          CANARA BANK CIRCLE OFFICE          SAMBAKULAM ROAD, MADURAI.</b>	DRAWING TITLE : RECEPTION TABLE	DESIGN STAGE SCHEME LEVEL FINAL COPY	SCALE N.T.S	DATE 07.10.2025	DRG NO DRN	DET-01 K.D	ORIENTATION	ARCHITECTS <b>TSO DESIGN COMMUNE PVT. LTD.</b> Architects ■ Planners ■ Interior designers <small>NEW NO.16,(OLD NO.42), Ground floor, South West Boag Road,          T.Nagar, Chennai - 600017. Ph : 044 - 4212 9252          Telefax : 044 - 2435 0493 E-mail : info@tsodc.com</small>
1739		DRAWING TYPE : WORKING DRAWING		R.DATE -		CHKD K.S			



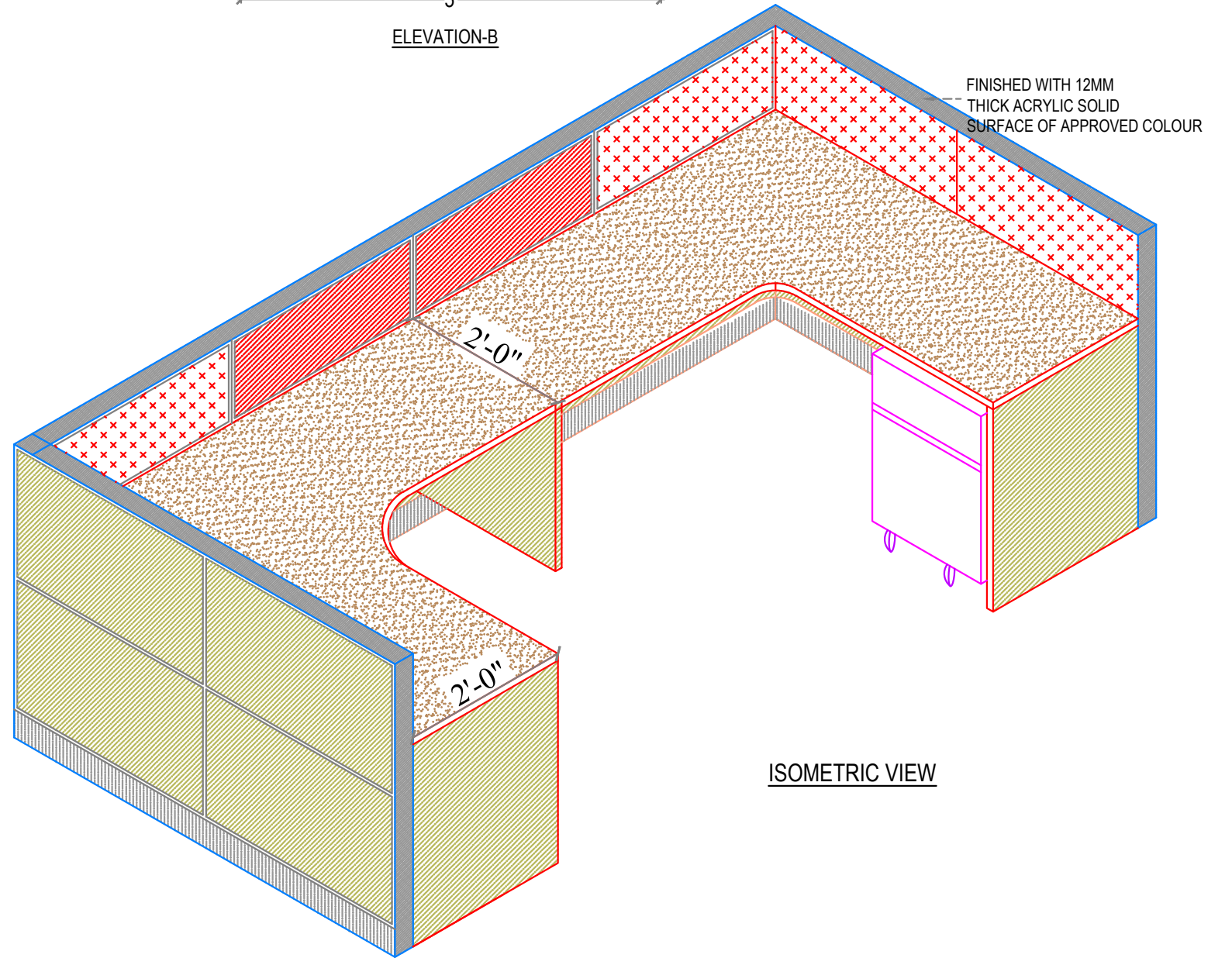
ELEVATION-A



ELEVATION-B



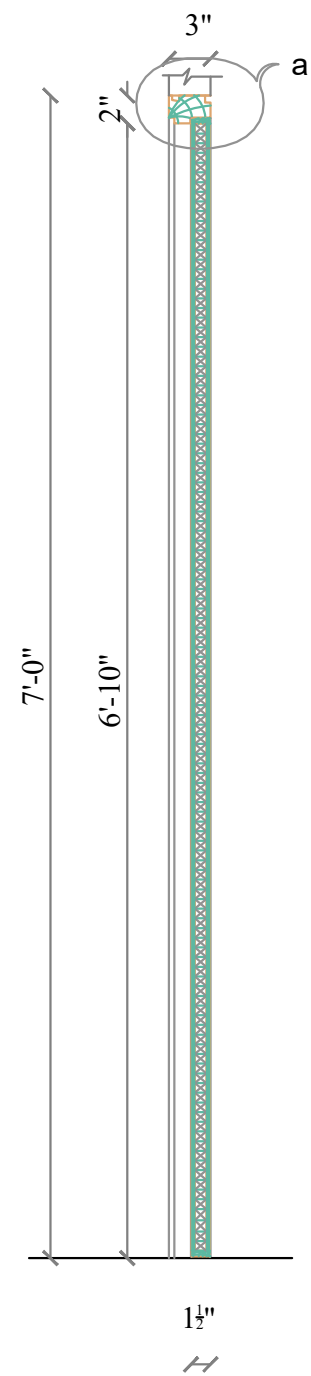
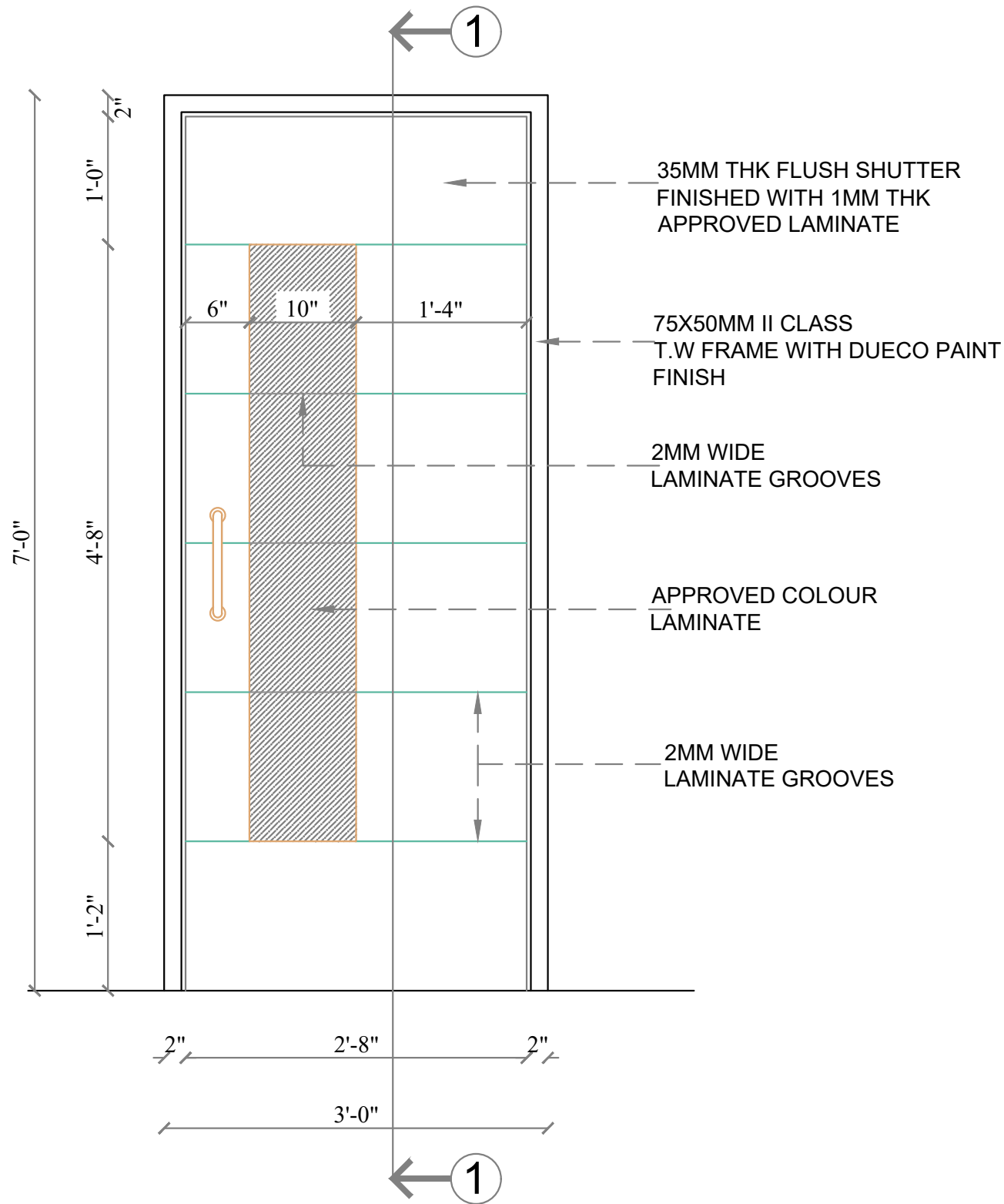
PLAN



ISOMETRIC VIEW

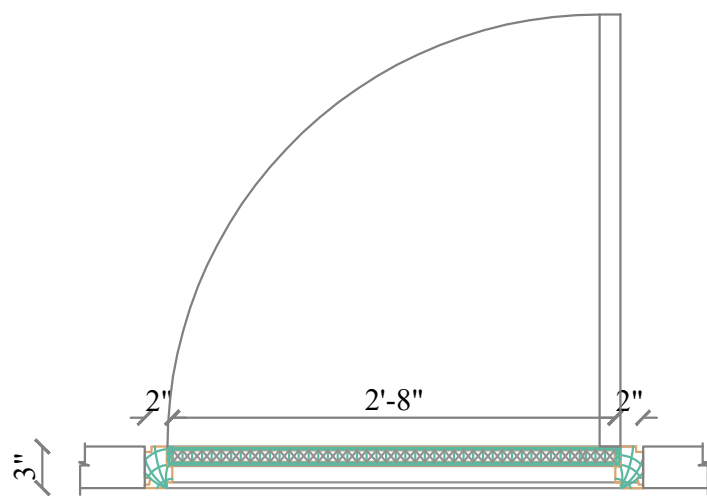
**DETAIL OF WORK STATION TABLE**

JOB NO	PROJECT TITLE : <b>PROPOSED INTERIOR DESIGN FOR CANARA BANK CIRCLE OFFICE SAMBAKULAM ROAD, MADURAI.</b>	DRAWING TITLE :	WORK STATION DETAIL	DESIGN STAGE	SCALE	N.T.S	DRG NO	DET-01	ORIENTATION	ARCHITECTS <b>TSO DESIGN COMMUNE PVT. LTD.</b> Architects ■ Planners ■ Interior designers <small>NEW NO.16,(OLD NO.42), Ground floor, South West Boag Road, T.Nagar, Chennai - 600017. Ph : 044 - 4212 9252 Telefax : 044 - 2435 0493 E-mail : info@tsodc.com</small>
<b>1739</b>		DRAWING TYPE :	WORKING DRAWING	SCHEME LEVEL	DATE	07.10.2025	DRN	K.D		
				FINAL COPY	R.DATE	-	CHKD	K.S		

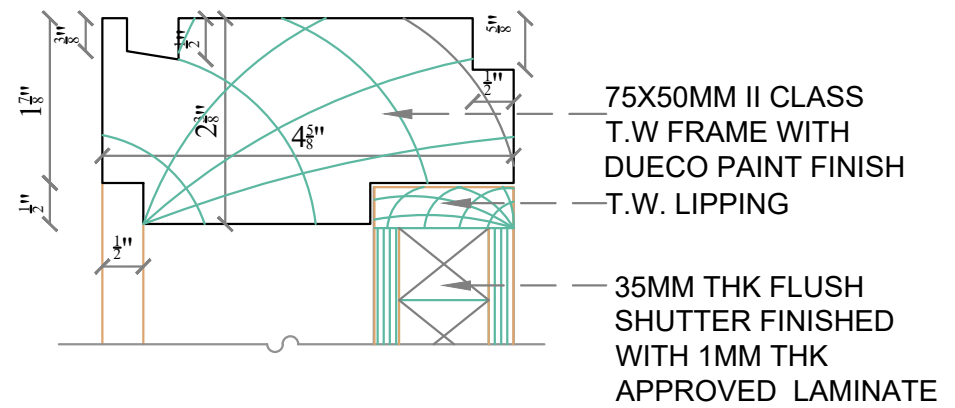


**SECTION 1-1**

**ELEVATION -A**



**PLAN FOR SOLID DOOR**



**DETAIL -A**

# DETAIL OF SOLID DOOR

JOB NO <b>1739</b>	PROJECT TITLE: PROPOSED INTERIOR DESIGN FOR <b>CANARA BANK CIRCLE OFFICE</b> SAMBAKULAM ROAD, MADURAI.	DRAWING TITLE: SOLID DOOR DETAIL	DESIGN STAGE SCHEME LEVEL FINAL COPY	SCALE N.T.S DATE 07.10.2025 R.DATE -	DRG NO DET-01 DRN K.D CHKD K.S	ORIENTATION	ARCHITECTS <b>TSO DESIGN COMMUNE PVT. LTD.</b> Architects ■ Planners ■ Interior designers NEW NO.16, (OLD NO.42), Ground floor, South West Bypass Road, T Nagar, Chennai - 600017. Ph: 044 - 4213 8252 Telex: 044 - 4213 0423 E-mail: info@tsodc.com
-----------------------	---	-------------------------------------	--	---	---	-------------	---

25'-6"

8'-0"

GYP BOARD

+8'-0" LVL

0.8TR NONVRV  
SPLIT

GYP BOARD

+8'-0" LVL

0.8TR NONVRV  
SPLIT

GYP BOARD

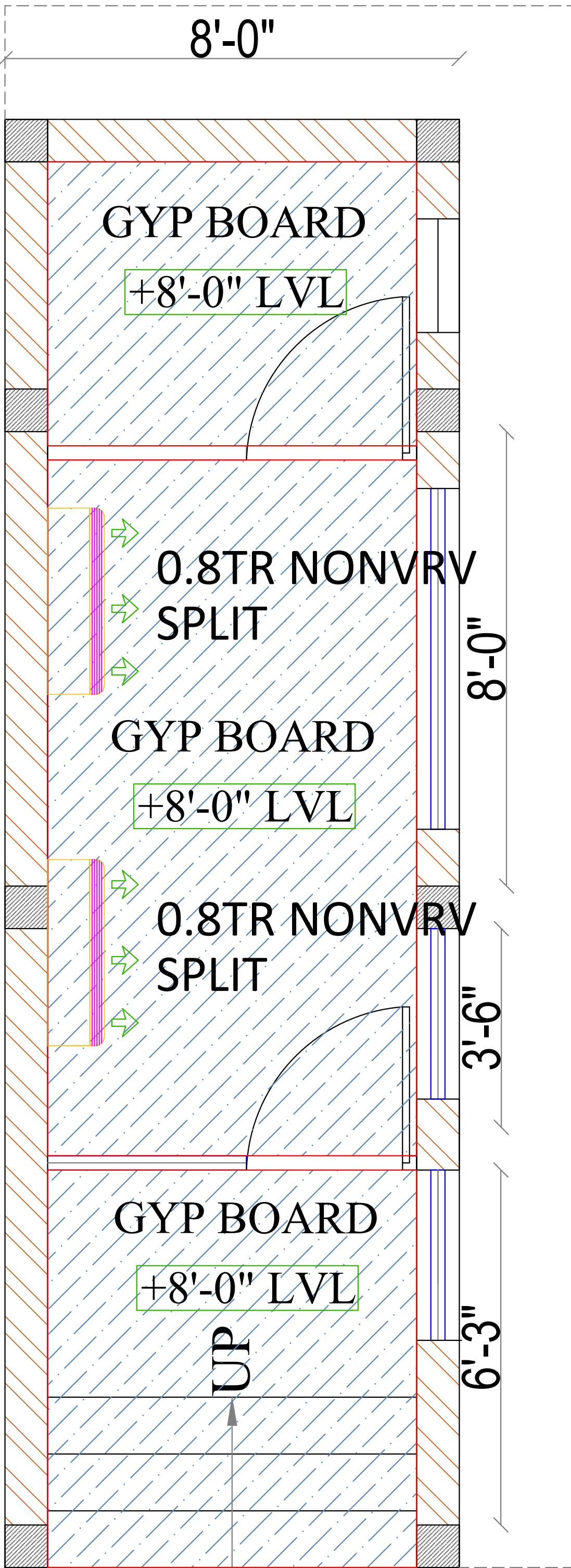
+8'-0" LVL

UP

8'-0"

3'-6"

6'-3"



JOB NO

1739

PROJECT TITLE :

CANARA BANK CIRCLE OFFICE

SAMBAKULAM ROAD, MADURAI.

PROPOSED INTERIOR DESIGN FOR

DRAWING TITLE :

ATM

DRAWING TYPE :

SCHEMATIC DRAWING

DESIGN STAGE

SCHEME LEVEL

FINAL COPY

SCALE

DATE

R.DATE

REV/NO

DRN

CHKD

TERR.F-04

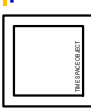
M.G

K.S

ORIENTATION



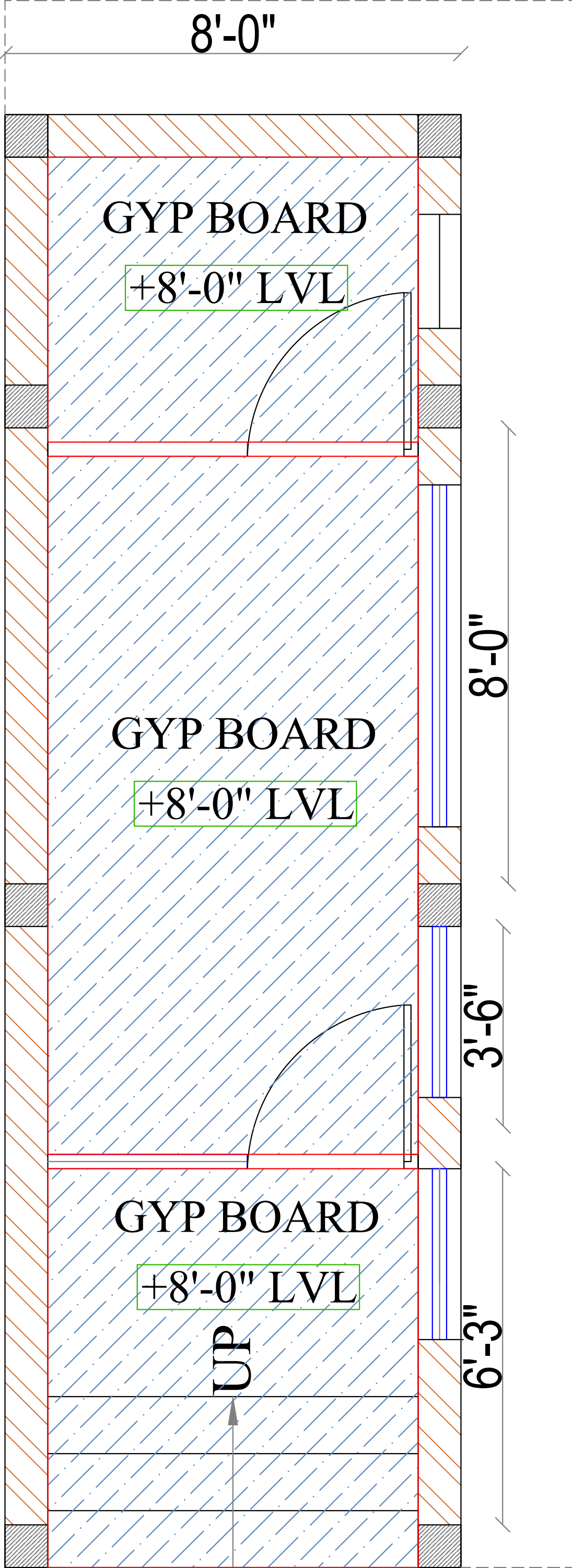
ARCHITECTS



**TSO DESIGN COMMUNE PVT. LTD.**  
 Architects • Planners • Interior designers  
 NEW NO.16, OLD NO.42, Ground floor, South West Bang Road,  
 Bangalore - 560025  
 Tel: 081-245 9495 E-mail: info@tsocdm.com

25'-6"

8'-0"



GYP BOARD

+8'-0" LVL

GYP BOARD

+8'-0" LVL

GYP BOARD

+8'-0" LVL

UP

8'-0"

3'-6"

6'-3"

JOB NO

1739

PROJECT TITLE :

CANARA BANK CIRCLE OFFICE

SAMBAKULAM ROAD, MADURAI.

PROPOSED INTERIOR DESIGN FOR

DRAWING TITLE : ATM

ATM

DESIGN STAGE

SCHEME LEVEL

FINAL COPY

SCALE

DATE

R.DATE

REV/NO

DRN

CHKD

TERR.F-04

M.G

K.S

ORIENTATION

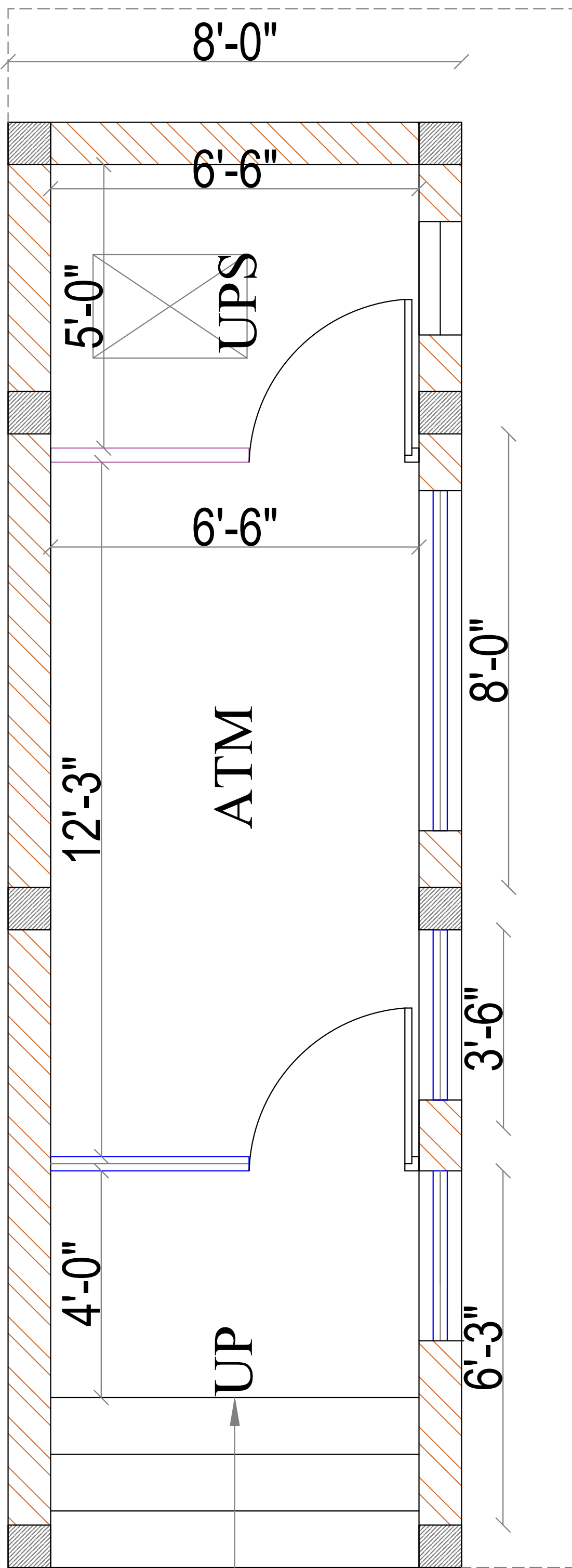


ARCHITECTS



**TSO DESIGN COMMUNE PVT. LTD.**  
Architects • Planners • Interior designers  
NEW NO.16, OLD NO.43, Ground floor, South West Bang Road,  
Madrasi, Chennai - 600 026.  
Tel: 044-245 9495 E-mail: info@tsocorp.com

25'-6"



JOB NO

1739

PROJECT TITLE :

PROPOSED INTERIOR DESIGN FOR  
**CANARA BANK CIRCLE OFFICE**  
SAMBAKULAM ROAD, MADURAI.

DRAWING TITLE :

ATM

DRAWING TYPE :

SCHEMATIC DRAWING

DESIGN STAGE

SCHEME LEVEL

FINAL COPY

SCALE

DATE

R.DATE

REV/NO

DRN

CHKD

TERR.F-04

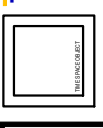
M.G

K.S

ORIENTATION

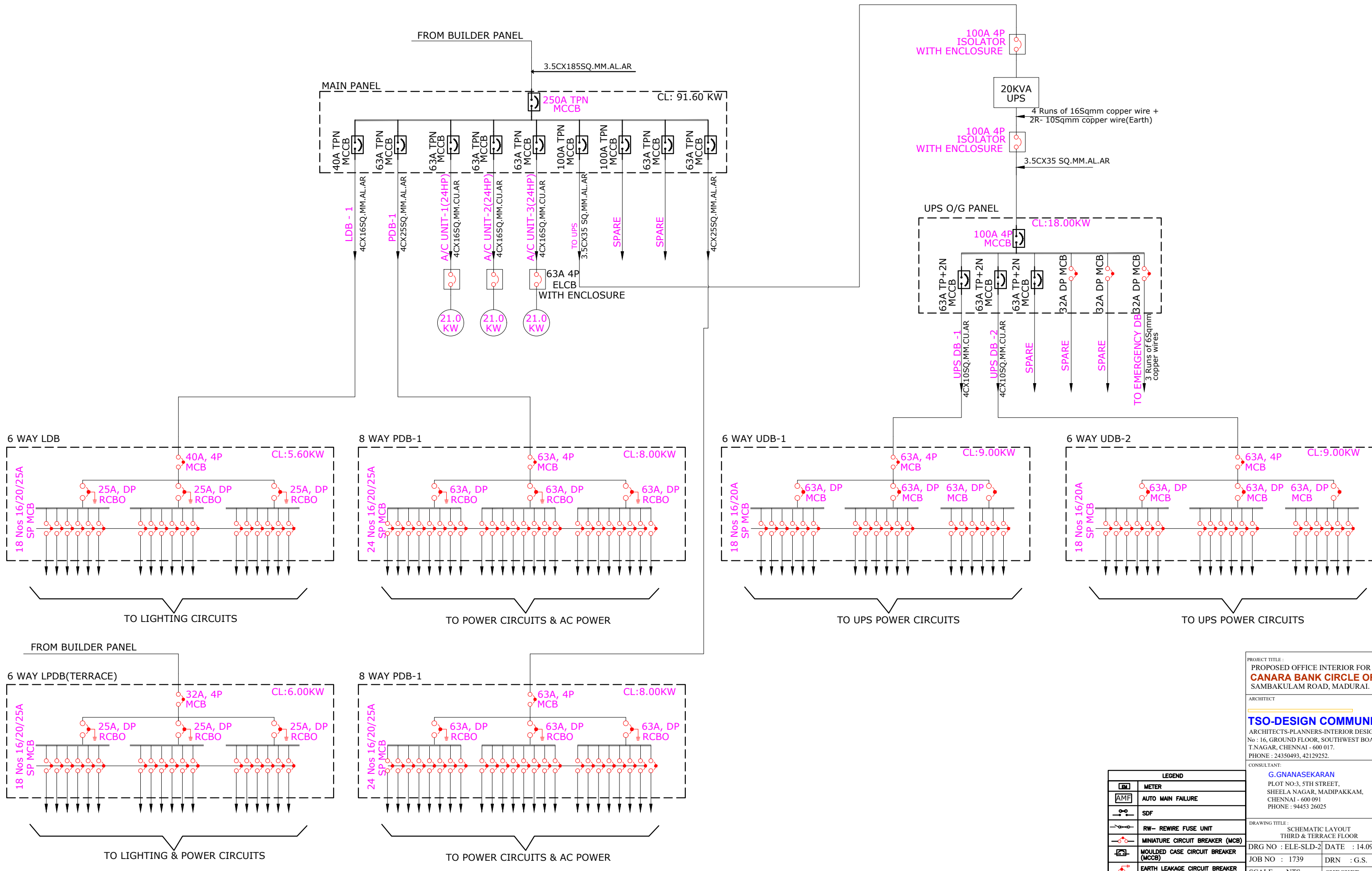


ARCHITECTS



**TSO DESIGN COMMUNE PVT. LTD.**  
Architects • Planners • Interior designers  
NEW NO.16, OLD NO.43, Ground floor, South West Bang Road,  
Madrasi, Chennai - 600 026.  
Tel: 044-245 9493 E-mail: info@tsoc.com





PROJECT TITLE :  
**PROPOSED OFFICE INTERIOR FOR  
 CANARA BANK CIRCLE OFFICE**  
 SAMBAKULAM ROAD, MADURAI.

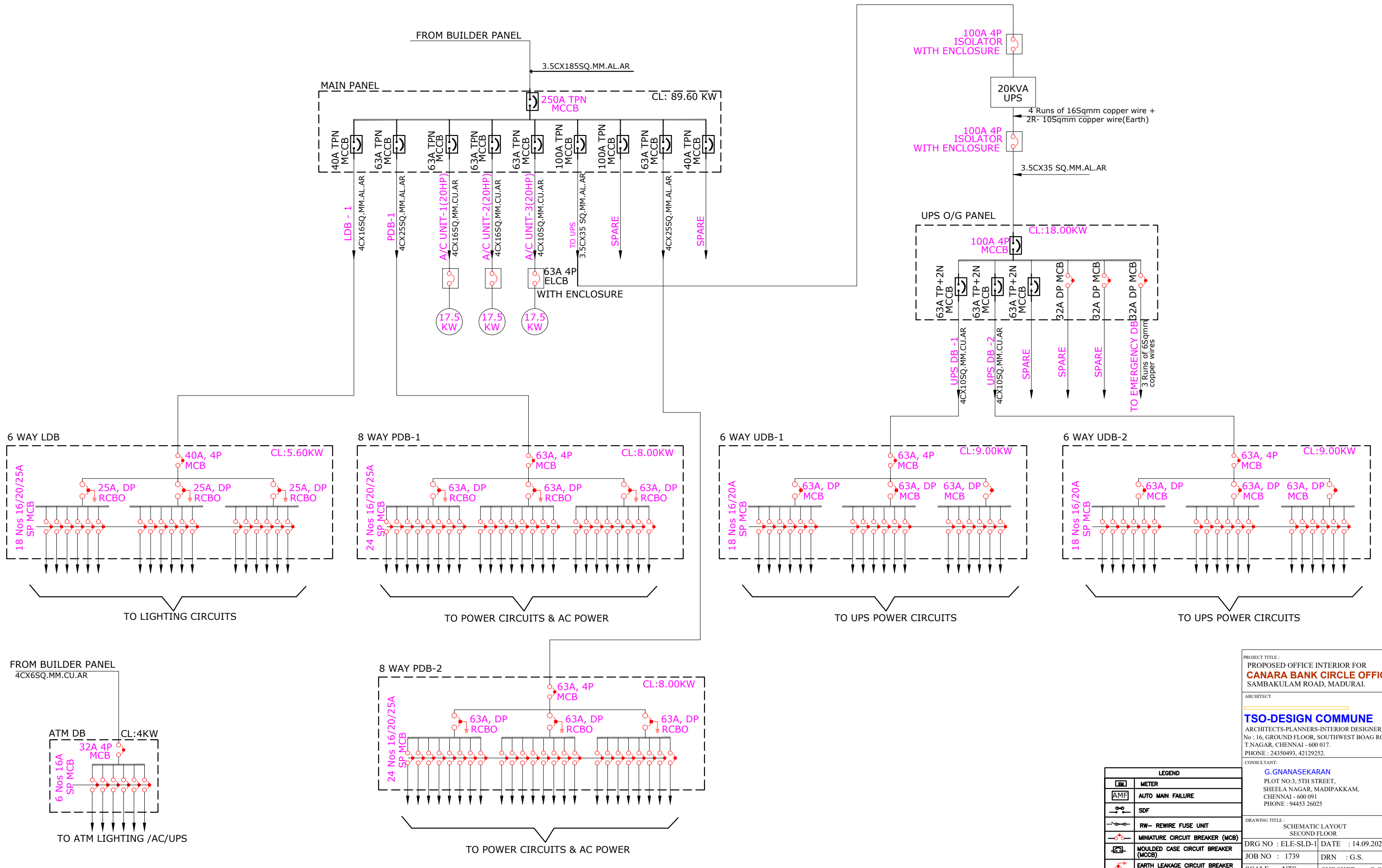
ARCHITECT  
**TSO-DESIGN COMMUNE**  
 ARCHITECTS-PLANNERS-INTERIOR DESIGNERS  
 No : 16, GROUND FLOOR, SOUTHWEST BOAG ROAD  
 T.NAGAR, CHENNAI - 600 017.  
 PHONE : 24350493, 42129252.

CONSULTANT:  
**G.GNANASEKARAN**  
 PLOT NO:3, 5TH STREET,  
 SHEELA NAGAR, MADIPAKKAM,  
 CHENNAI - 600 091  
 PHONE : 94453 26025

LEGEND	
	METER
	AUTO MAIN FAILURE
	SDF
	RW- REWIRE FUSE UNIT
	MINIATURE CIRCUIT BREAKER (MCB)
	MOULDED CASE CIRCUIT BREAKER (MCCB)
	EARTH LEAKAGE CIRCUIT BREAKER (ELCB)

DRAWING TITLE :  
 SCHEMATIC LAYOUT  
 THIRD & TERRACE FLOOR

DRG NO : ELE-SLD-2 DATE : 14.09.2025  
 JOB NO : 1739 DRN : G.S.  
 SCALE : NTS CHECKED : G.G.



PROJECT TITLE :  
**PROPOSED OFFICE INTERIOR FOR  
 CANARA BANK CIRCLE OFFICE**  
 SAMBAKULAM ROAD, MADURAI.

ARCHITECT  
**TSO-DESIGN COMMUNE**  
 ARCHITECTS-PLANNERS-INTERIOR DESIGNERS  
 No : 16, GROUND FLOOR, SOUTHWEST BOAG ROAD  
 T.NAGAR, CHENNAI - 600 017.  
 PHONE : 24350493, 42129252.

CONSULTANT:  
**G.GNANASEKARAN**  
 PLOT NO:3, 5TH STREET,  
 SHEELA NAGAR, MADIPAKKAM,  
 CHENNAI - 600 091  
 PHONE : 94453 26025

LEGEND	
	METER
	AUTO MAIN FAILURE
	SDF
	RW- REWIRE FUSE UNIT
	MINIATURE CIRCUIT BREAKER (MCB)
	MOULDED CASE CIRCUIT BREAKER (MCCB)
	EARTH LEAKAGE CIRCUIT BREAKER (ELCB)

DRAWING TITLE :  
 SCHEMATIC LAYOUT  
 SECOND FLOOR

DRG NO : ELE-SLD-1	DATE : 14.09.2025
JOB NO : 1739	DRN : G.S.
SCALE : NTS	CHECKED : G.G.

# 3D VIEW - 3<sup>RD</sup> FLOOR



# 3D VIEW - 2<sup>ND</sup> FLOOR



# 3D VIEW – RECEPTION AREA



# GM CABIN



# WORK STATION AREA



# CANTEEN AREA

