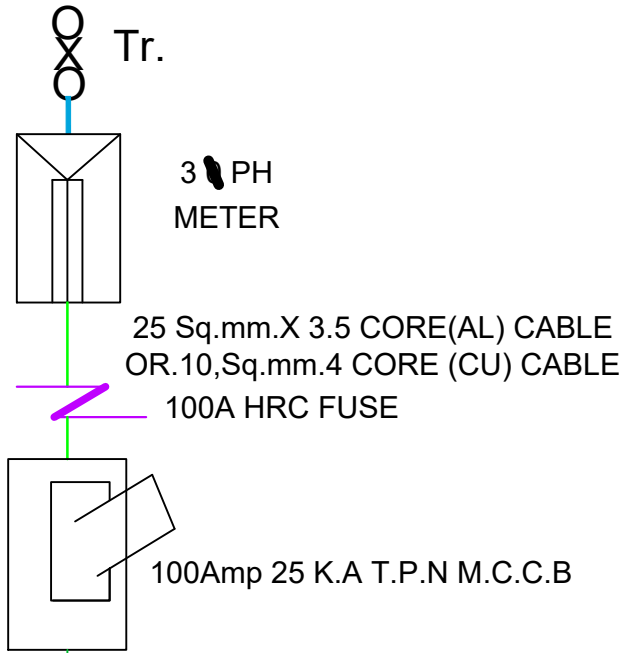
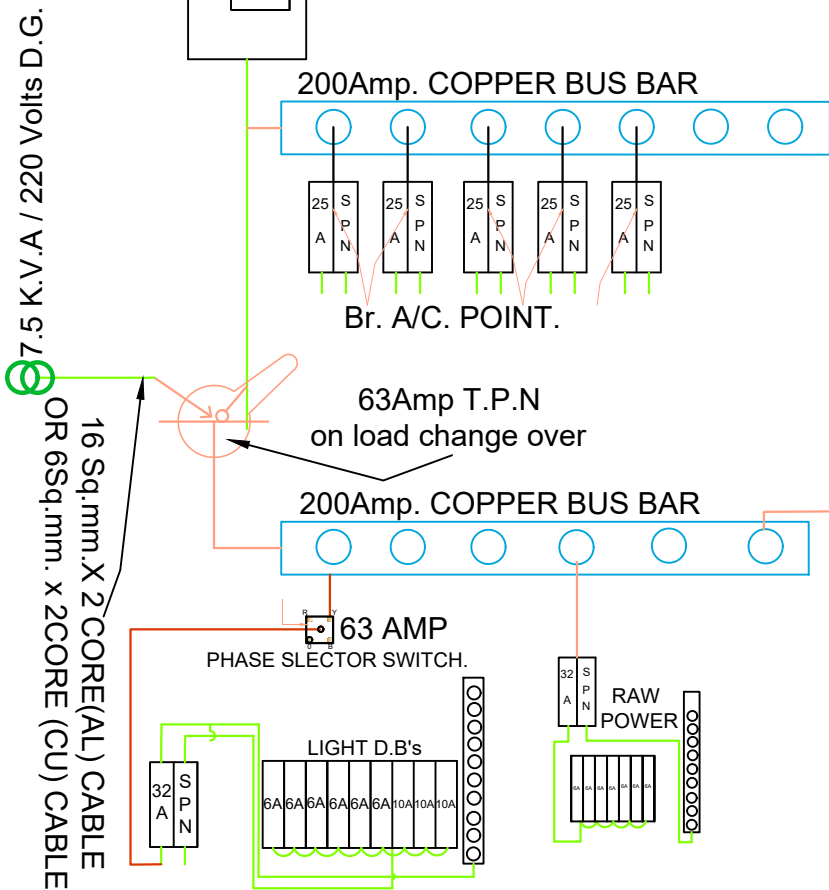


PANEL-1

L.T.PANEL-(SINGAL LINE DIGRAM)



PANEL-2



7.5 K.V.A / 220 Volts D.G.
 16 Sq.mm.X 2 CORE(AL) CABLE
 OR 6Sq.mm. x 2CORE (CU) CABLE

PROJECT:-

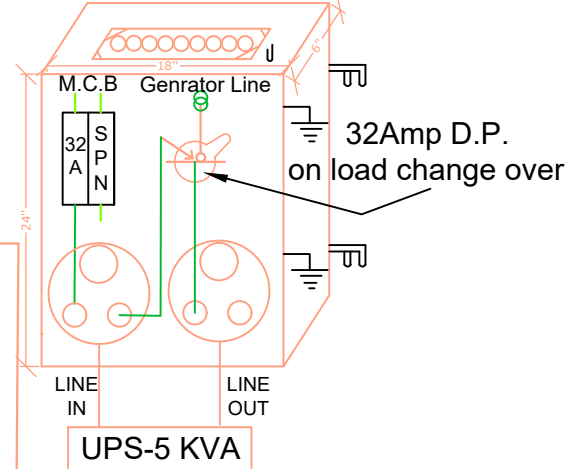
CANARA BANK KAHALGAON BRANCH

KRISHNA GOPAL PRASAD(B.E.ELECTRIC)
 (ELECTRICAL CONSULTANT) (EMAIL:-kgprasad62@gmail.com)

(COMPUTER AIDED ELECTRICAL DESIGNER)

402, SUN RISE KAMLA-REKHA SHREE, RAI RAM BRIKSH PATH, NEHRU NAGER
 PATLIPUTRA COLONY, PATNA (BIHAR) PIN CODE-800013. PHONE NO.-9431066089

UPS PRIMARY & SECONDRY PANEL



PANEL-3

