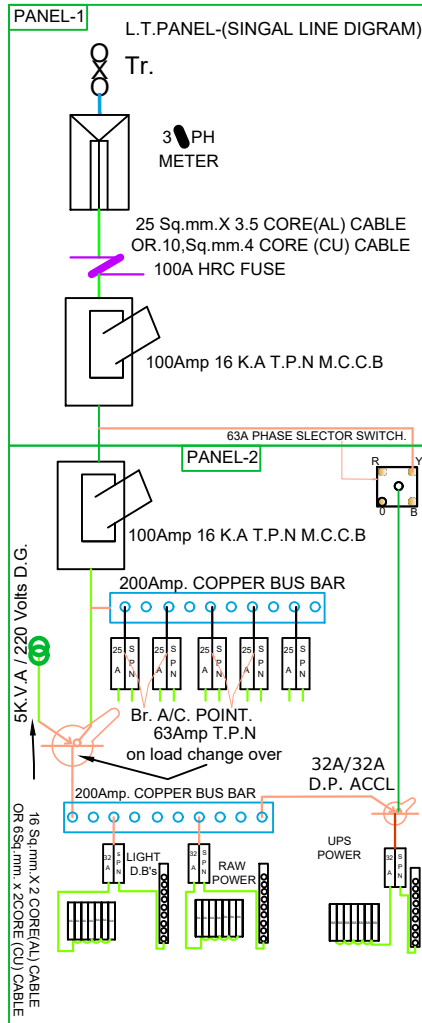


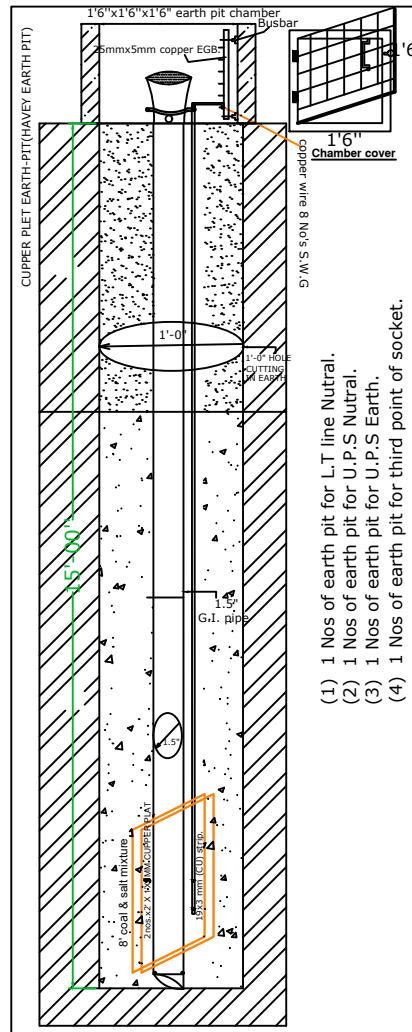
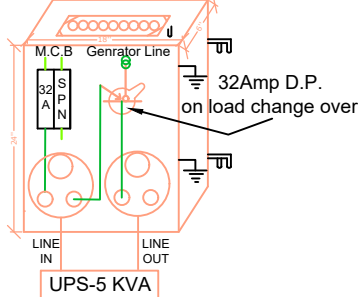
DISTRIBUTION BOARD DETAILS- COMPUTER UPS POWER D.B's.-1						
2+8 WAY'S MCB TYPE DOUBLE DOOR DISTRIBUTION BOARD						
MCB	CIRCUIT	AMPS.	NOS.	VOLTS.	NOS. OF WIRES	COLOUR CODE OF WIRES
S.P.N "C"-10Ka	SUB-MAIN UPS POWER POINT CIRCUIT	32A	01	220V	2X6SQ. MM(LOAD) +1X6SQ. MM(EARTH)	RED+BLACK(LOAD) & GREEN (EARTH)
S.P "C"-10Ka	POWER	6A/10A	08	220V	2X2.5SQ. MM(LOAD) +1X2.5SQ. MM(EARTH)	RED+BLACK(LOAD) & GREEN (EARTH)

DISTRIBUTION BOARD DETAILS- COMPUTER RAW POWER D.B's.-1						
2+8 WAY'S MCB TYPE DOUBLE DOOR DISTRIBUTION BOARD						
MCB	CIRCUIT	AMPS.	NOS.	VOLTS.	NOS. OF WIRES	COLOUR CODE OF WIRES
S.P.N "C"-10Ka	SUB-MAIN UPS POWER POINT CIRCUIT	32A	01	220V	2X6SQ. MM(LOAD) +1X6SQ. MM(EARTH)	RED+BLACK(LOAD) & GREEN (EARTH)
S.P "C"-10Ka	POWER	6A/10A	8	220V	2X2.5SQ. MM(LOAD) +1X2.5SQ. MM(EARTH)	RED+BLACK(LOAD) & GREEN (EARTH)

DISTRIBUTION BOARD DETAILS- COMPUTER RAW POWER D.B's.-1						
2+12 WAY'S MCB TYPE DOUBLE DOOR DISTRIBUTION BOARD						
MCB	CIRCUIT	AMPS.	NOS.	VOLTS.	NOS. OF WIRES	COLOUR CODE OF WIRES
S.P.N "C"-10Ka	SUB-MAIN UPS POWER POINT CIRCUIT	32A	01	220V	2X6SQ. MM(LOAD) +1X6SQ. MM(EARTH)	RED+BLACK(LOAD) & GREEN (EARTH)
S.P "C"-10Ka	POWER	6A/10A	8	220V	2X2.5SQ. MM(LOAD) +1X2.5SQ. MM(EARTH)	RED+BLACK(LOAD) & GREEN (EARTH)



UPS PRIMARY & SECONDRY PANEL



- (1) 1 Nos of earth pit for L.T line Neutral.
- (2) 1 Nos of earth pit for U.P.S Neutral.
- (3) 1 Nos of earth pit for U.P.S Earth.
- (4) 1 Nos of earth pit for third point of socket.

Notes :

ALL DIMENSIONS ARE TO BE CHECKED AND CO-RELATED WITH THE RELEVANT ARCHITECTURAL & STRUCTURAL DRAWINGS AND ANY AMBIGUITY SHALL BE IMMEDIATELY BROUGHT TO THE NOTICE OF THE ARCHITECTS BEFORE COMMENCEMENT OF THE WORK. THIS DRAWING IS THE PROPERTY OF ATTIK ARCHITECTS AND IS NOT TO BE COPIED OR USED WITHOUT THEIR PERMISSION.

Architects : **ATTIK ARCHITECTS**
architect
SITHLA ASTHAN ROAD, NEAR
TILKAMANJHI THANA, BHAGALPUR, PH. NO.
7503821328
9430546484, 9899677289

Consultants :
KRISHNA GOPAL PRASAD (B.E. ELECTRIC)
(ELECTRICAL CONSULTANT) (EMAIL: gprasad67@gmail.com)
COMPUTER AIDED ELECTRICAL DESIGNER
402, SUN BESE KANAKA PEARA STREET, 8th FLOOR BRANSHI PATHI, NEELUVAAGUDA
PALLIPUTRA COLONY, PATNA (BBAB), PIN CODE-800013. PHONE NO.-9431066693

Drawing Title :-
ELECTRICAL LAYOUT PLAN JAMALPUR -
BRANCH AT (FIRST FLOOR)

Client :
CANARA BANK JAMALPUR BRANCH

REVISIONS :

No.	Date	Reason	Change

Job Title :
BEAM BOTTOM HIGHT-8'-09"
CILING HIGHT-9'-03"
CARPET AREA -1850

Date:- 01-06-2025

Scale:- NTS

Checked by:

K.G. PRASAD

Dealt by:

RAHUL KR.



E/01

ATTIK ARCHITECTS
This drawing is the property of these architects. No part of this may be
reproduced or implemented in any form without prior permission in writing
from Architects. Any person doing so, shall be liable to criminal
prosecution and civil claims for damages.