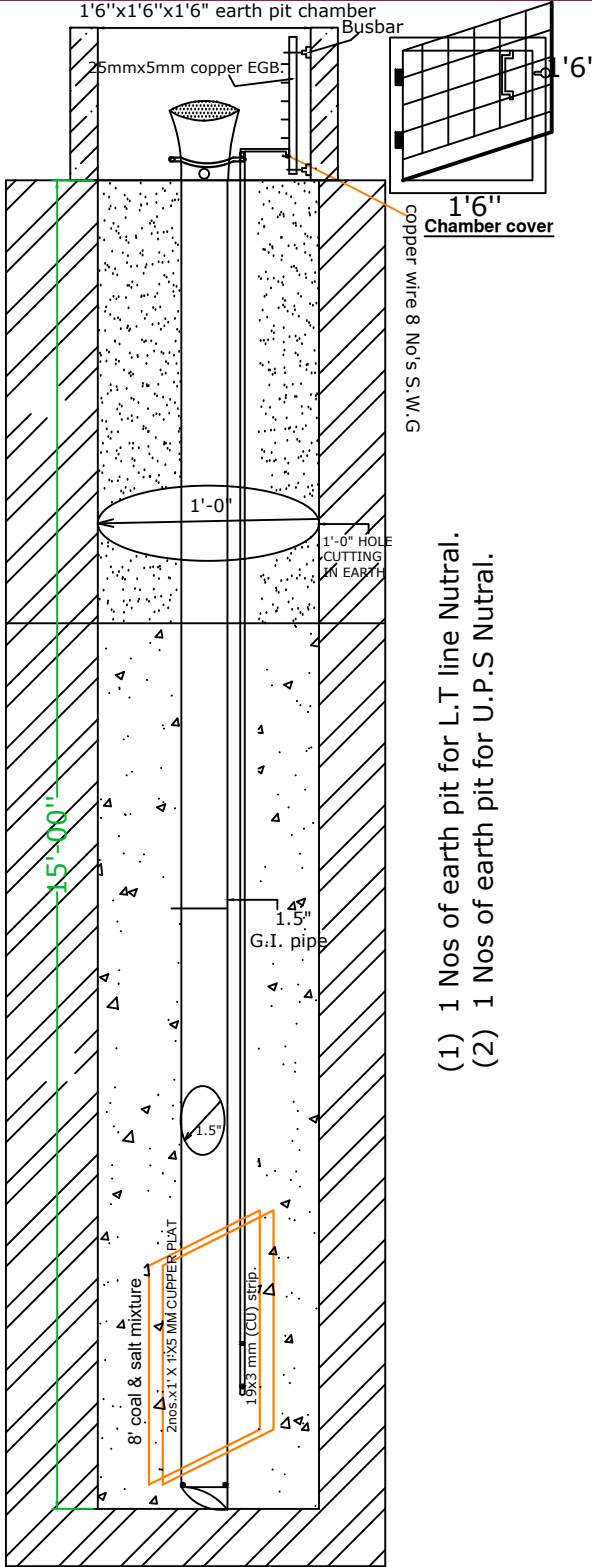
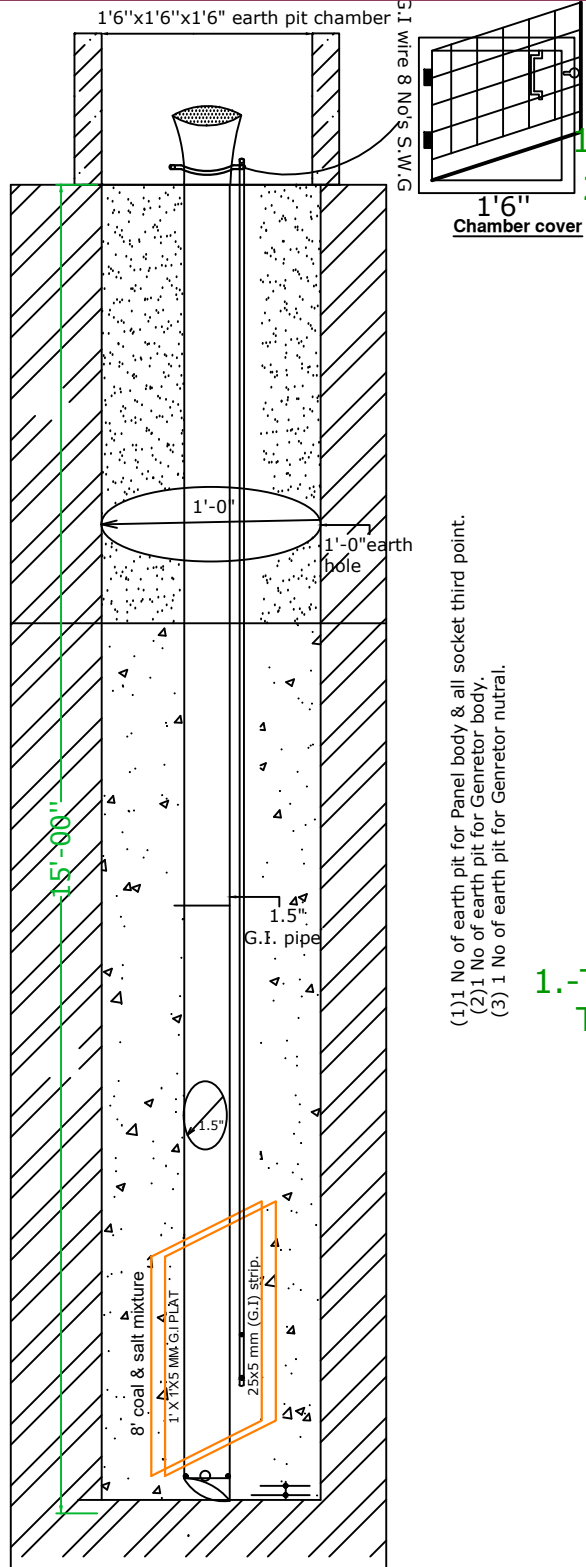


CUPPER PLET EARTH-PIT(HAVEY EARTH PIT)



- (1) 1 Nos of earth pit for L.T line Neutral.
- (2) 1 Nos of earth pit for U.P.S Neutral.

ELECTROD EARTH (LIGHT EARTH)



- (1) 1 No of earth pit for Panel body & all socket third point.
- (2) 1 No of earth pit for Genretor body.
- (3) 1 No of earth pit for Genretor neutral.

### CUPPER PLET EARTH-PIT (HAVEY EARTH PIT)

- 1.-G.I. pipe 15 feet with 8feet net cutting.-1 no
- 2.-G.I. Redution sicket 2.5"/1.5"-1 no.
- 3.-G.I. Plug 2.5" dia-1 no.
- 4.-12"x12" chember cover-1 no.
- 5.-Copper Plate 24"x12"x3mm-2 no.
- 6.-Copper strip 20mmx3mm-18feet.
- 7.-Salt 10 K.G.
- 8.-Wooden coal- 60 K.G.

### G.I PLET EARTH-PIT (LIGHT EARTH PIT)

- 1.-G.I. pipe 15 feet with 8feet net cutting.-1 no
- 2.-G.I. Redution sicket 2.5"/1.5"-1 no.
- 3.-G.I. Plug 2.5" dia-1 no.
- 4.-12"x12" chember cover-1 no.
- 5.-G.I Plate 12"x12"x5mm-1 no.
- 6.-Copper wire 6No. SWG-18feet.
- 7.-Salt 10 K.G.
- 8.-Wooden coal- 60 K.G.

1.-The rate shall be inclusive of submission of Test Report- (2 Ohm) of each earth pit and Testing shall be carried out in front of Officials / Consultant.

2.--Earth pit material should be verified by Branch Manager before installation as per specification in B.O.Q..

PROJECT:-

CANARA BANK KAHALGAON BRANCH

**KRISHNA GOPAL PRASAD(B.E.ELECTRIC)**  
 (ELECTRICAL CONSULTANT) (EMAIL:-kgprasad62@gmail.com)  
 (COMPUTER AIDED ELECTRICAL DESIGNER)  
 402, SUN RISE KAMILA-REKHA SHREE, RAI RAM BRIKSH PATH, NEHRU NAGER  
 PATLIPUTRA COLONY, PATNA (BIHAR) PIN CODE-800013. PHONE NO.-9431066089