

LEGEND	
	PROPOSED LOFT
	CUPBOARD 75 CM HEIGHT
	CUPBOARD 120 CM HEIGHT
	CUPBOARD 210 CM HEIGHT
	FULL GLAZED PARTITIONS
	DOUBLE SKIN SOLID GLAZED PARTITIONS
	COMPOSITE PANEL
	SOLID PARTITIONS
	SEMI PARTITIONS (210 cm ht. Half glazed)
	SEMI PARTITIONS (120 cm ht. Half glazed)
	FIRE RATED CEMENT PARTITION

AREA STATEMENT		
SPACE	AREA (IN SQ.M)	AREA (IN SQ.FT)
MAIN BANKING AREA	49.41	531.65
CUSTOMER AREA	56.45	607.40
STRONG ROOM	21.57	232.09
RECORD ROOM	7.99	85.97
DINING ROOM	6.27	67.47
A T M	6.29	67.68
UPS	4.60	49.50
TOTAL AREA (A)	152.58	1641.76
TOILET(B)	7.88	84.79
TOTAL AREA (A+B)	160.46	1726.55

ENARC CONSULTANTS
ARCHITECTS AND ENGINEERS
M. G. Road, Thrissur - 1.
Tel. : +91 (487) 2441901
E-mail : office@enarc.net.in

PROPOSED INTERIOR FURNISHING
FOR BANKS CANARA BANK
PATTIKKAD BRANCH

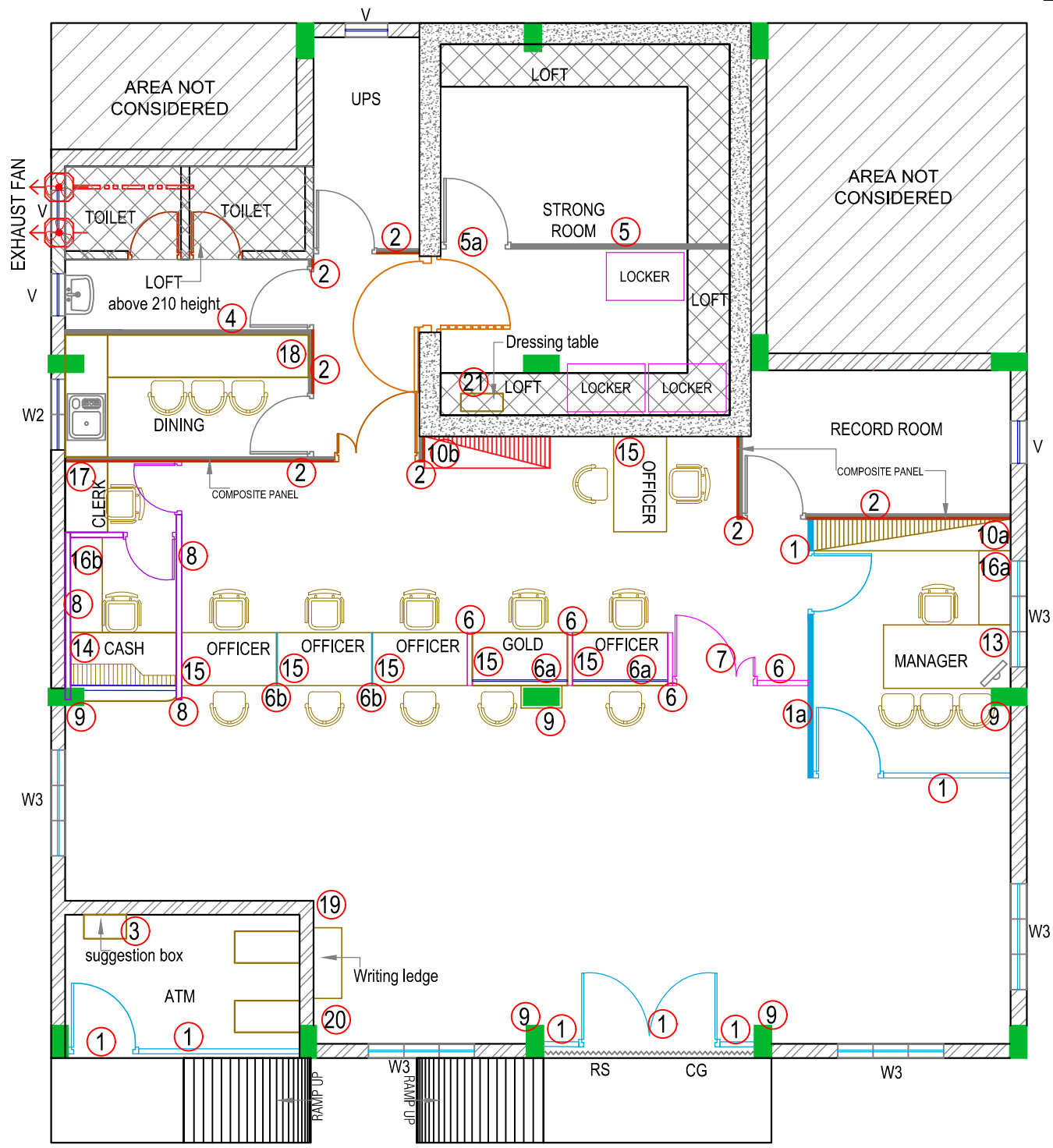
INTERIOR LAYOUT
OPTION - 03 A

Drawn By **GINISH K G**
Architect **Ar.PRAVEEN,P**
B. Arch.[Reg], A.I.I.A, A.I.I.D

Chief Architect **Ar. K. RAMAKRISHNAN**
B.Sc.(Engg), F.I.E, C. Eng (I),
F.I.V , F.I.I.A. (Regd), A.I.I.D

Date : 22-11-2023
Revision Date: 28-11-2023
02-12-2023
08-12-2023

Sheet No : **01**
Scale : **N T S**
All Dimensions are in Cms.



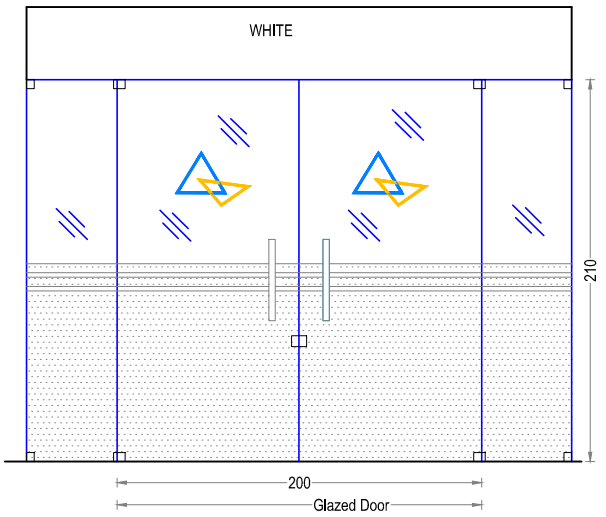
ENARC CONSULTANTS
ARCHITECTS AND ENGINEERS
 M. G. Road, Thrissur - 1.
 Tel. : +91 (487) 2441901
 E-mail : office@enarc.net.in

PROPOSED INTERIOR FURNISHING
FOR BANKS CANARA BANK
PATTIKKAD BRANCH
INTERIOR LAYOUT
WITH ITEM NO

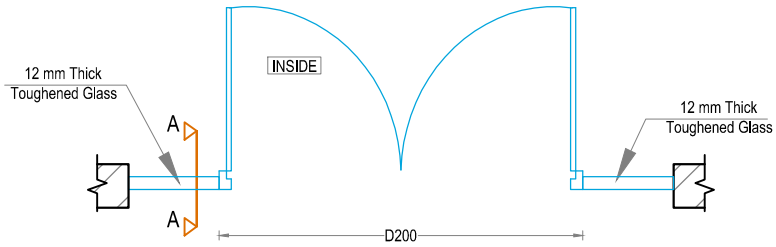
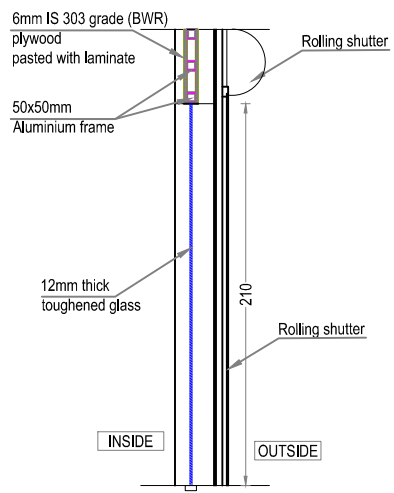
Drawn By **GINISH K G**
 Architect
 Ar.PRAVEEN.P
 B. Arch.[Reg], A.I.I.A, A.I.I.I.D

Chief Architect
 Ar. K. RAMAKRISHNAN
 B.Sc.(Engg), F.I.E. C. Eng (I),
 F.I.V , F.I.I.A. (Regd), A.I.I.I.D

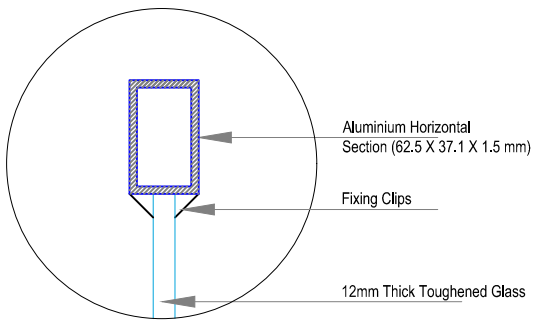
Date : 08-02-2024
 Revision Date: 22-05-2024
 Sheet No : 02
 Scale : N T S
 All Dimensions are in CMs.



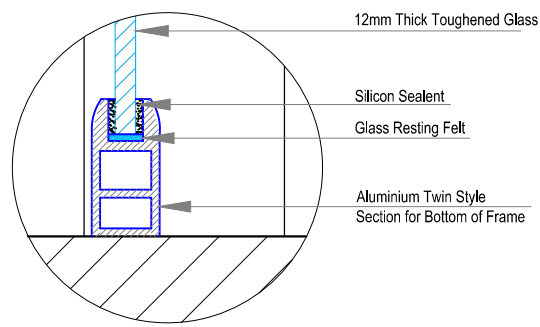
FRONT ELEVATION



ENTRANCE DOOR PLAN



DETAIL OF TOP ALUMINIUM FRAME



DETAIL OF BOTTOM ALUMINIUM FRAME

**PROPOSED INTERIOR FURNISHING
 FOR BANKS CANARA BANK
 PATTIKKAD BRANCH**

DETAILS OF :	ITEM NO.
FRONT SIDE GLAZING PARTITION WITH DOOR (DOUBLE SHUTTER)	1

Drawn By : GINISH K G

Architect : Ar.PRAVEEN.P
 B. Arch.[Reg], A.I.I.A, A.I.I.I.D

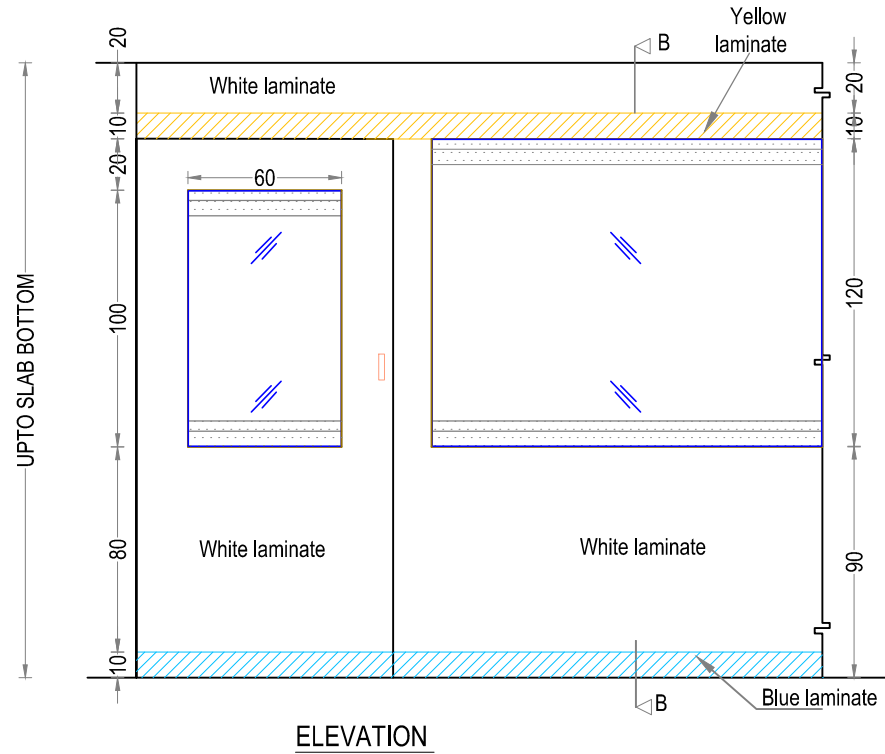
Chief Architect : Ar. K. RAMAKRISHNAN
 B.Sc.(Engg), F.J.E, C. Eng (I),
 F.I.V, F.I.I.A. (Regd), A.I.I.I.D

Date: 08-02-2024 Drawing No.

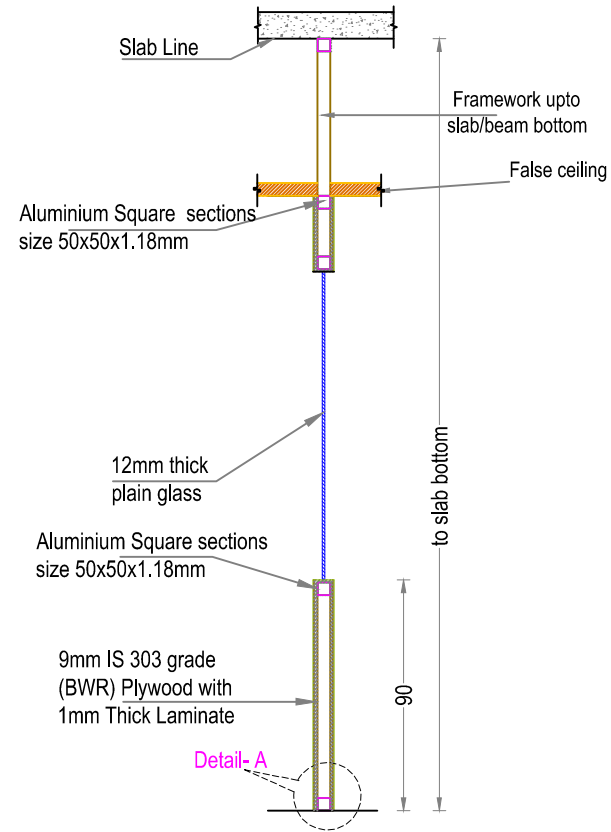
Revision Date: 22-05-2024 Sheet No: 04

Scale: NTS

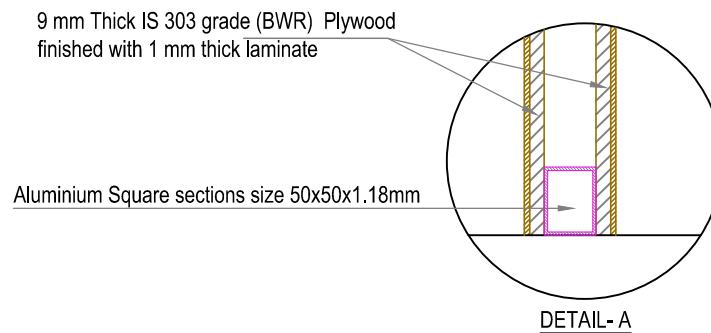
All Dimensions are in CMs.



ELEVATION



SECTION B-B



DETAIL- A

**PROPOSED INTERIOR FURNISHING
FOR BANKS CANARA BANK
PATTIKKAD BRANCH**

DETAILS OF :	ITEM NOS.
DOUBLE SKIN SEMI GLAZED PARTITION	1a

Drawn By: GINISH K G

Architect: Ar. PRAVEEN, P
B. Arch. [Reg], A.I.I.A, A.I.I.I.D

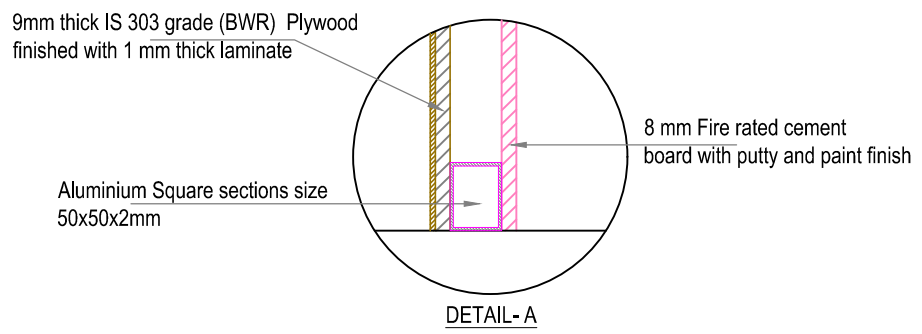
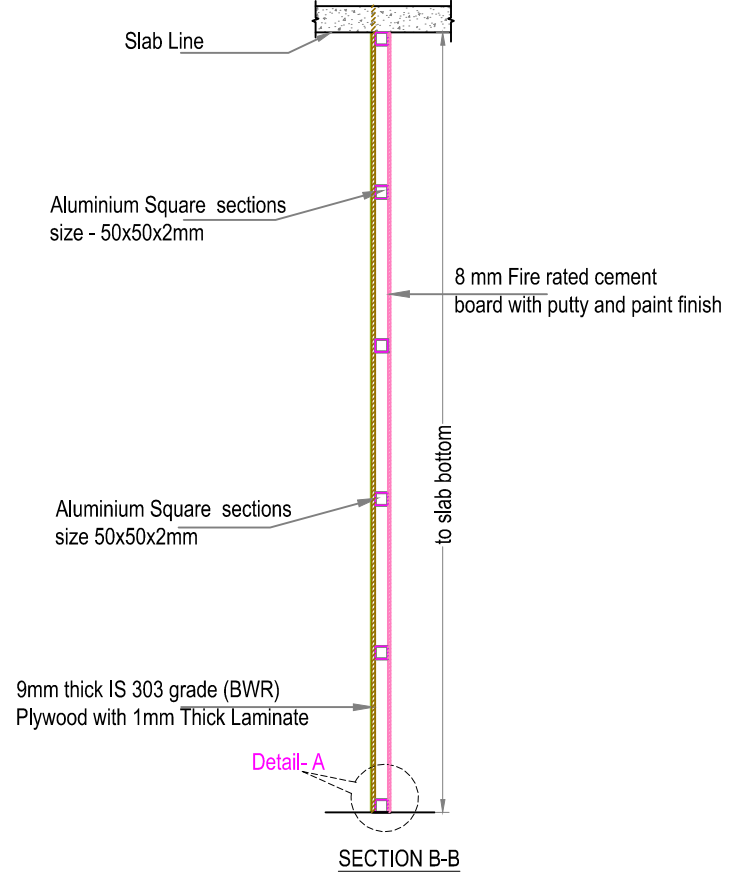
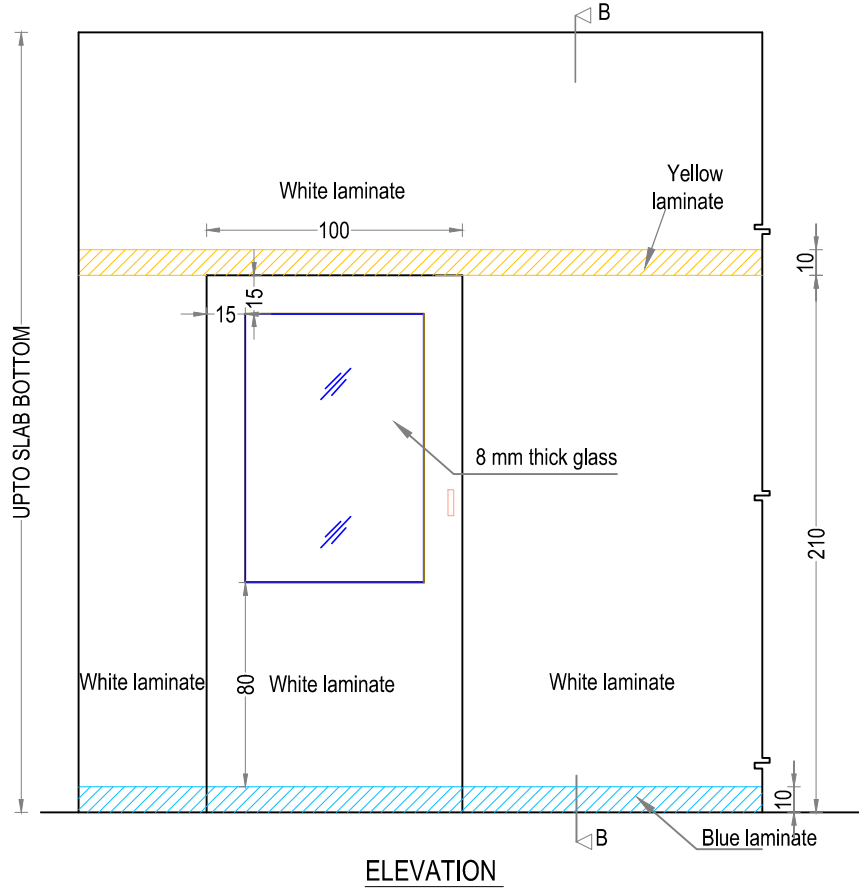
Chief Architect: Ar. K. RAMAKRISHNAN
B.Sc.(Engg), F.I.E, C. Eng (I),
F.I.V, F.I.I.A. (Regd), A.I.I.I.D

Date: 08-02-2024 Drawing No.

Revision Date: 22-05-2024 Sheet No: 05

Scale: NTS

All Dimensions are in CMs.



**PROPOSED INTERIOR FURNISHING
 FOR BANKS CANARA BANK
 PATTIKKAD BRANCH**

DETAILS OF :	ITEM NOS.
1. COMPOSITE PANEL	2

Drawn By: **GINISH.K.G**

Architect: **Ar.PRAVEEN.P
 B. Arch.(Reg), A.I.I.A, A.I.I.I.D**

Chief Architect: **Ar. K. RAMAKRISHNAN
 B.Sc.(Engg), F.I.E, C. Eng (I),
 F.I.V. , F.I.I.A, (Regd), A.I.I.I.D**

Date: 08-02-2024 Drawing No.

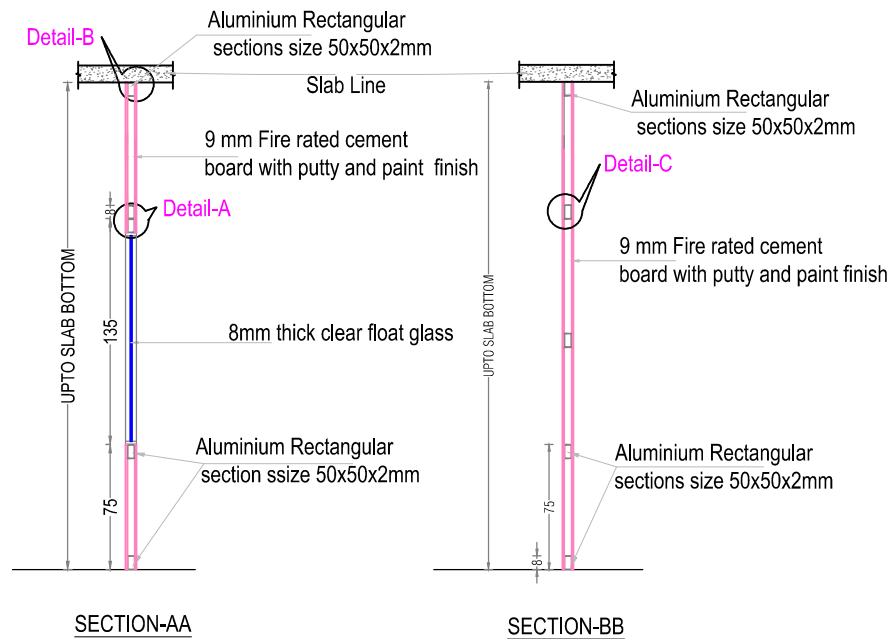
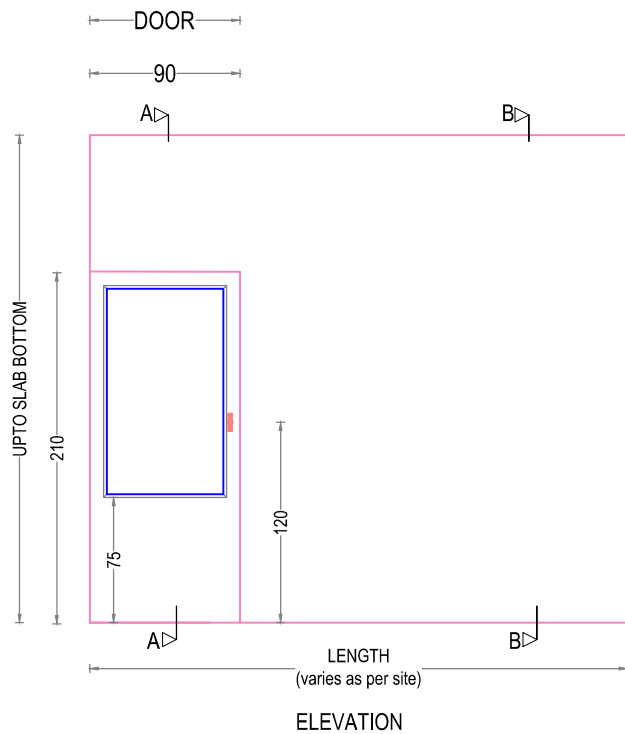
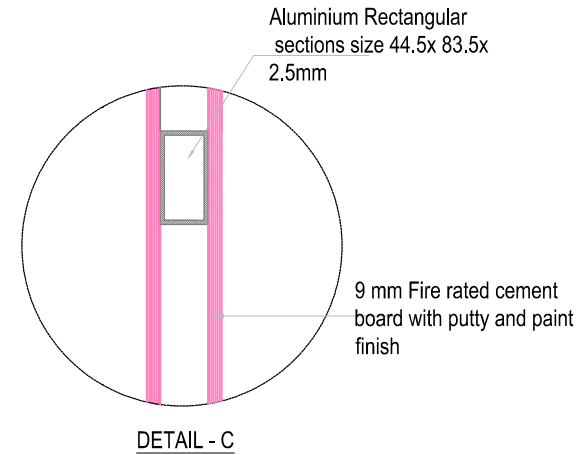
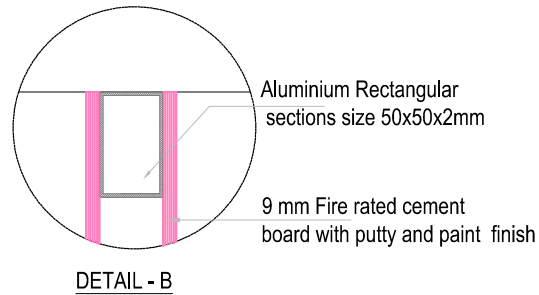
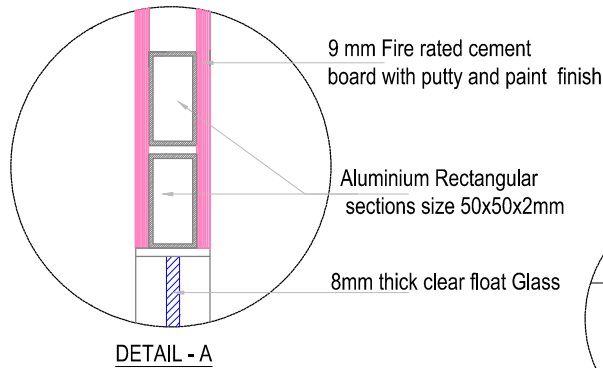
Revision Date: 22-05-2024 Sheet No: **06**

Scale: NTS

All Dimensions are in CMs.



ENARC CONSULTANTS
ARCHITECTS & ENGINEERS
 M. G. Road, Thrissur - 1.
 Tel. : (+91 487) 2441901
 Fax : (+91 487) 2442011
 E-mail : office@enarc.net.in



**PROPOSED INTERIOR FURNISHING
 FOR BANKS CANARA BANK
 PATTIKKAD BRANCH**

DETAILS OF :	ITEM Nos.
1.FIRE RATED CEMENT PARTITION	4

Drawn by	GINISH.K.G
----------	------------

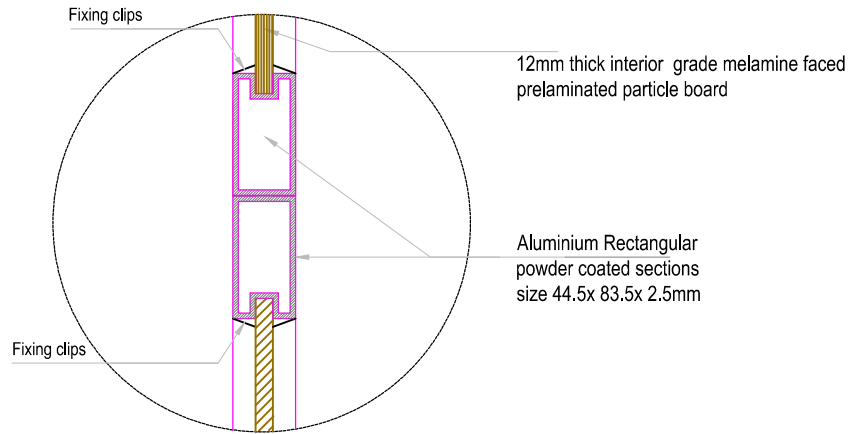
Architect	Ar.PRAVEEN.P B. Arch.[Reg], A.I.I.A, A.I.I.I.D
-----------	---

Chief Architect	Ar. K. RAMAKRISHNAN B.Sc.(Engg), M.I.E, C. Eng (I), F.I.V , F.I.I.A. (Regd), A.I.I.I.D
-----------------	--

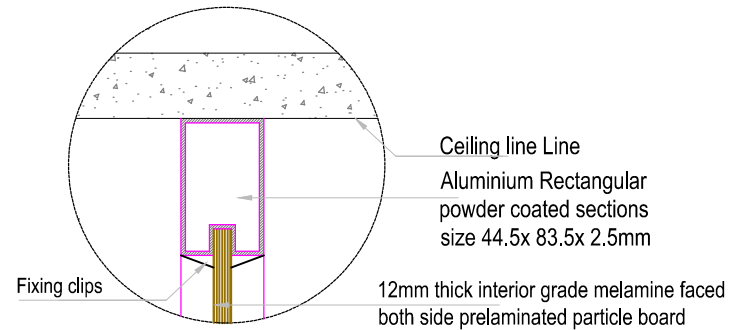
Date: 08-02-2024	Drawing No.
Revision Date: 22-05-2024	Sheet No. 07
	Scale NTS
All Dimensions are in CMs.	



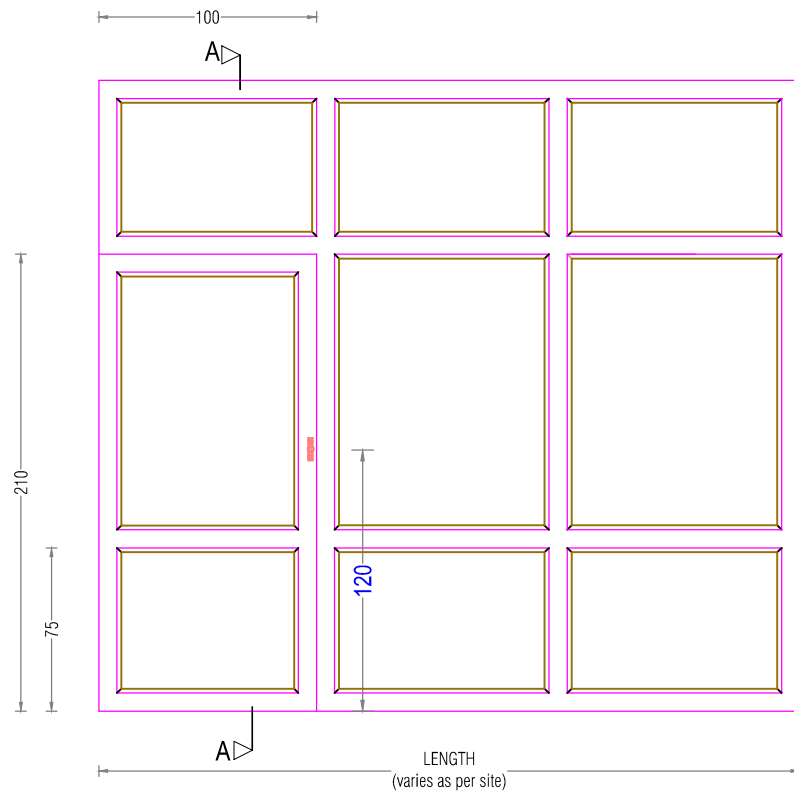
ENARC CONSULTANTS
ARCHITECTS & ENGINEERS
 M. G. Road, Thrissur - 1.
 Tel. : (+91 487) 2441901
 Fax : (+91 487) 2442011
 E-mail : office@enarc.net.in



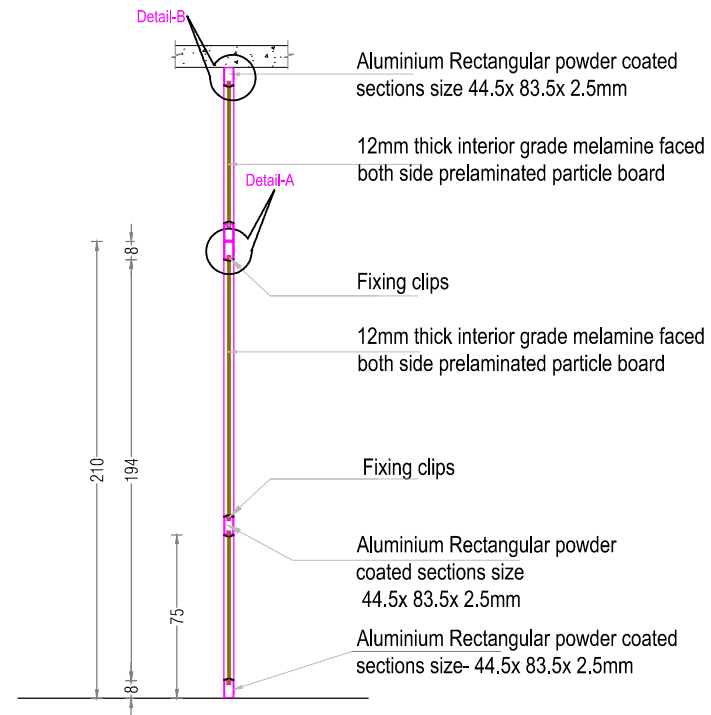
DETAIL - A



DETAIL - B



ELEVATION



SECTION-AA

**PROPOSED INTERIOR FURNISHING
 FOR BANKS CANARA BANK
 PATTIKKAD BRANCH**

DETAILS OF :	ITEM Nos.
1. ALUMINIUM DOOR	5a
2. ALUMINIUM PARTITION	5

Drawn by	GINISH.K.G
----------	------------

Architect	Ar.PRAVEEN.P B. Arch.[Reg], A.I.I.A, A.I.I.I.D
-----------	---

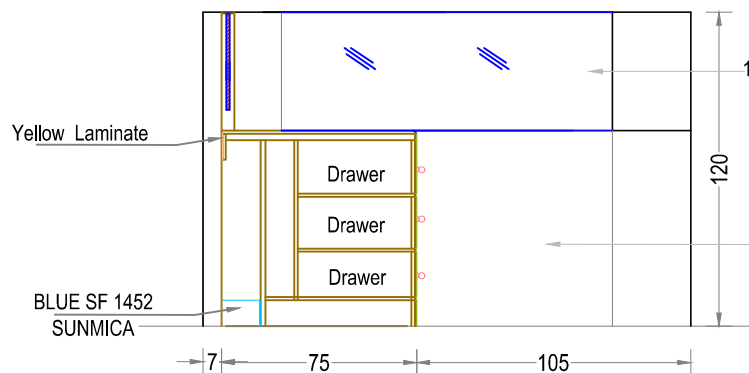
Chief Architect	Ar. K. RAMAKRISHNAN B.Sc.(Engg), M.J.E, C. Eng (I), F.I.V , F.I.I.A. (Regd), A.I.I.I.D
-----------------	--

Date: 08-02-2024	Drawing No.
------------------	-------------

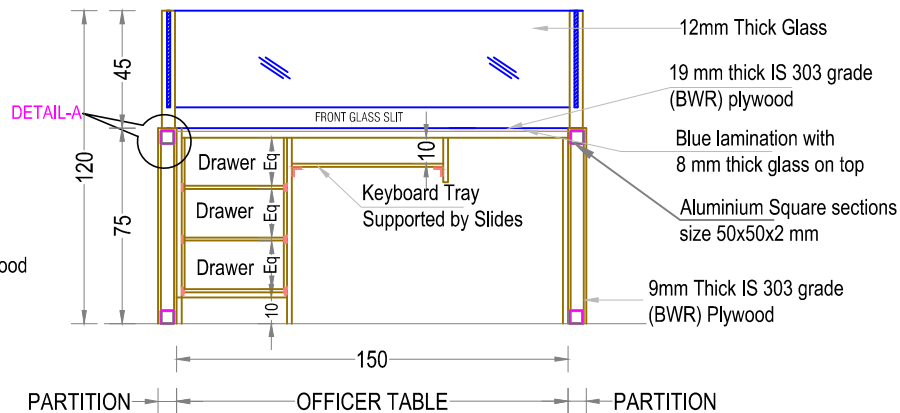
Revision Date:	Sheet No. 08
----------------	---------------------

Scale	NTS
-------	-----

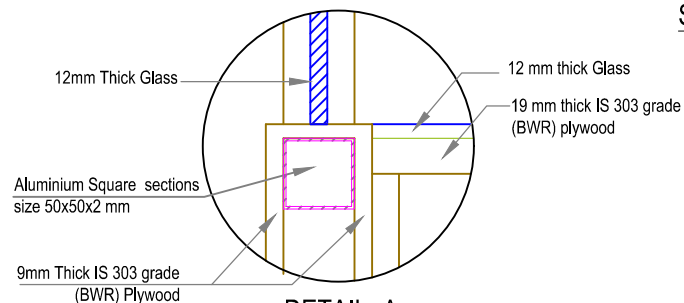
All Dimensions are in CMs.



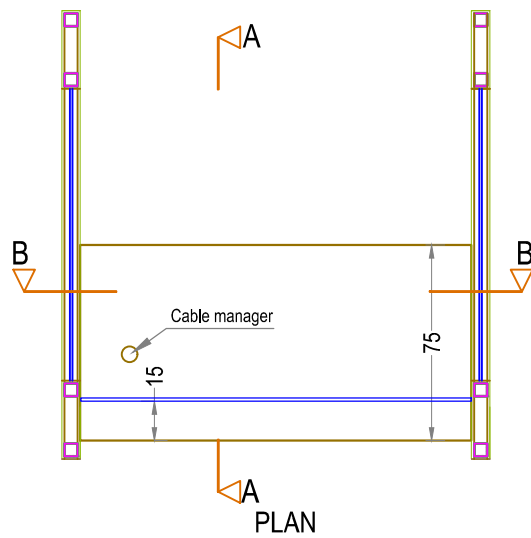
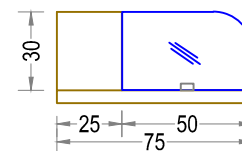
SECTION A-A



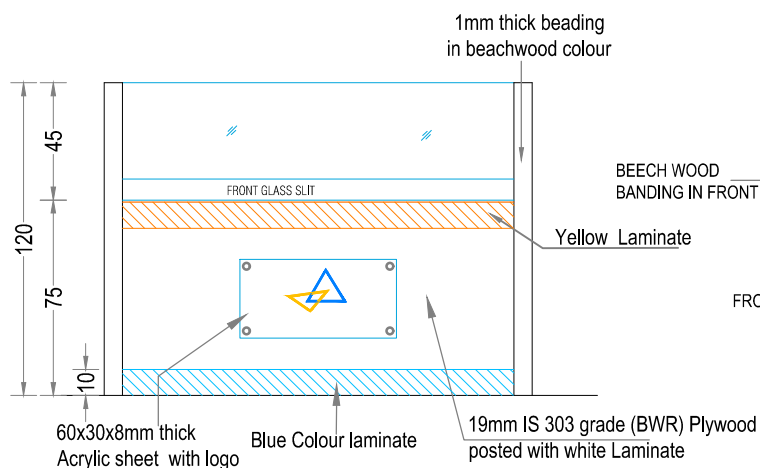
SECTION B-B



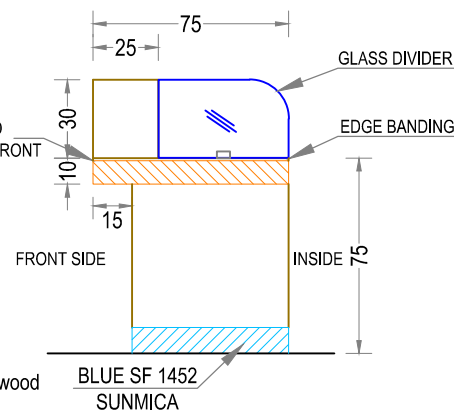
DETAIL -A



PLAN



FRONT ELEVATION



SIDE ELEVATION OF COUNTER

**PROPOSED INTERIOR FURNISHING
FOR CANARA BANK
KARUNAGAPPALLY**

DETAILS OF :	ITEM NO.
1. SEMI PARTITION 120CM HEIGHT	6
2. COUNTER FRONT GLASS SLIT	6A
3. SIDE GLASS	6B

Drawn by: GINISH K G

Architect: Ar. PRAVEEN.P
B. Arch. (Reg), A.I.I.A. A.I.I.D

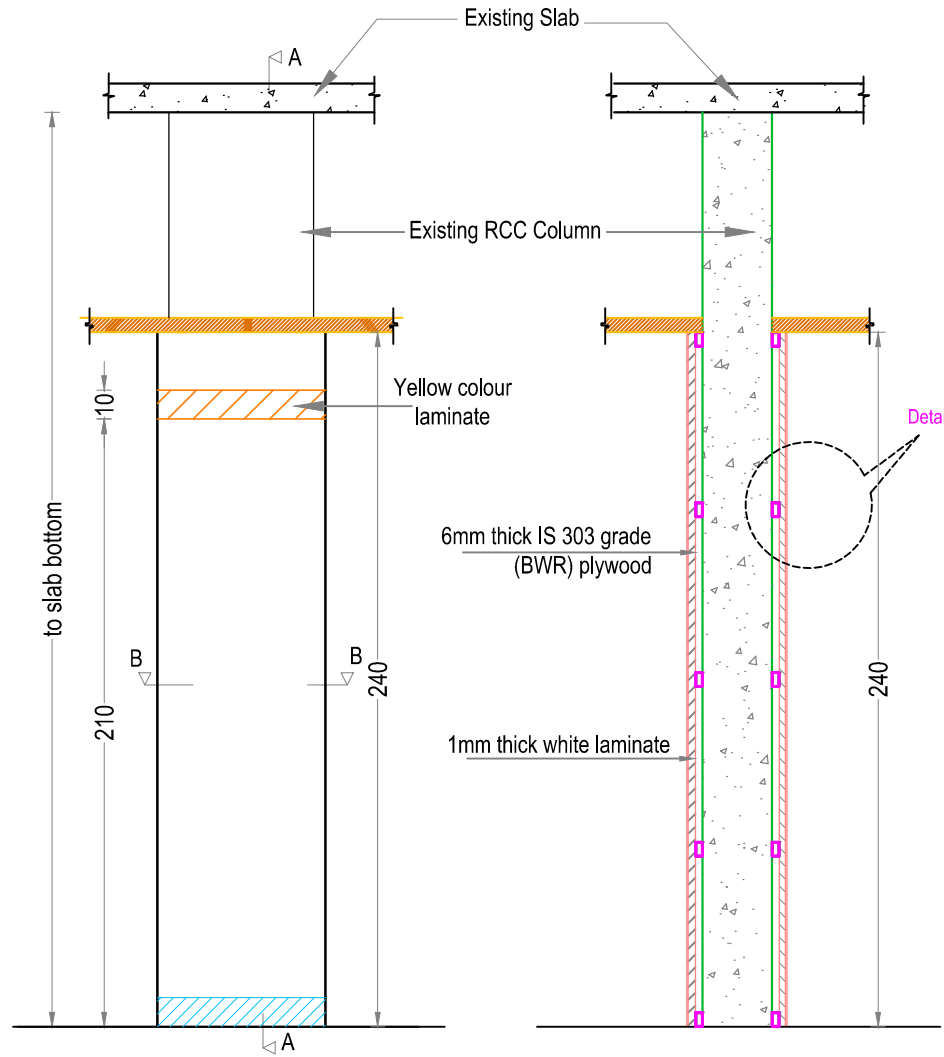
Chief Architect: Ar. K. RAMAKRISHNAN
B.Sc.(Engg), F.I.E. C. Eng (I),
F.I.V. I.I.I.D. F.I.I.A. (Regd),

Date: 08-02-2024 Drawing No.

Revision Date: 22-05-2024 Sheet No: 09

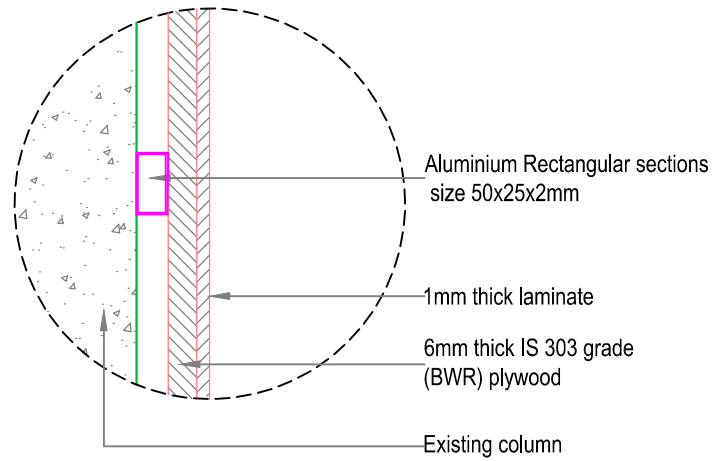
Scale: NTS

All Dimensions are in CMs.

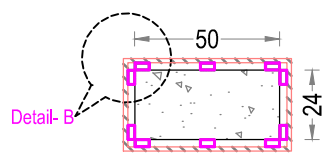


ELEVATION

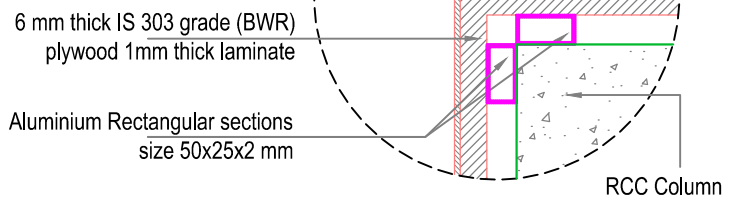
SECTION- AA



DETAIL- A



SECTION- BB



DETAIL- B

**PROPOSED INTERIOR FURNISHING
FOR BANKS CANARA BANK
PATTIKKAD BRANCH**

DETAILS OF :	
1. COLUMN PANELING	9

Drawn by **GINISH K G**

Architect
Ar.PRAVEEN.P
B, Arch,[Reg], A.I.I.A, A.I.I.I.D

Chief Architect

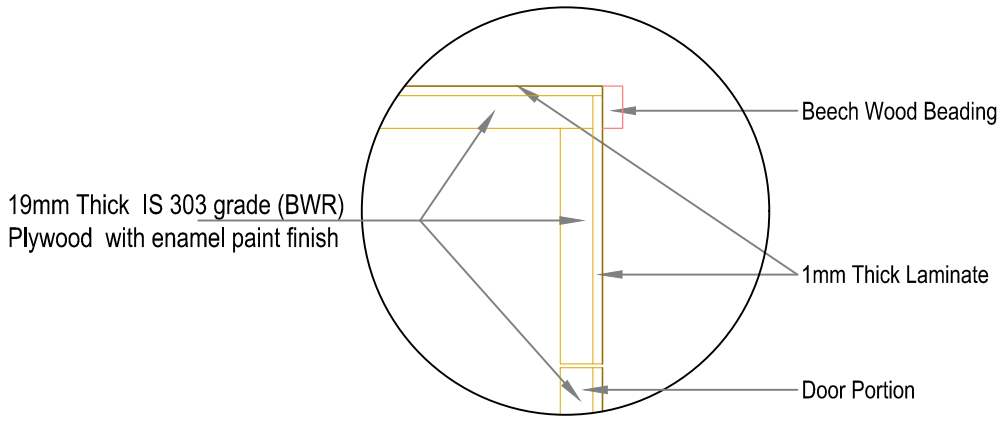
Ar. K. RAMAKRISHNAN
B.Sc.(Engg), F.I.E. C. Eng (I),
F.I.V , F.I.I.A. (Regd), A.I.I.I.D

Date: 08-02-2024 Drawing No.

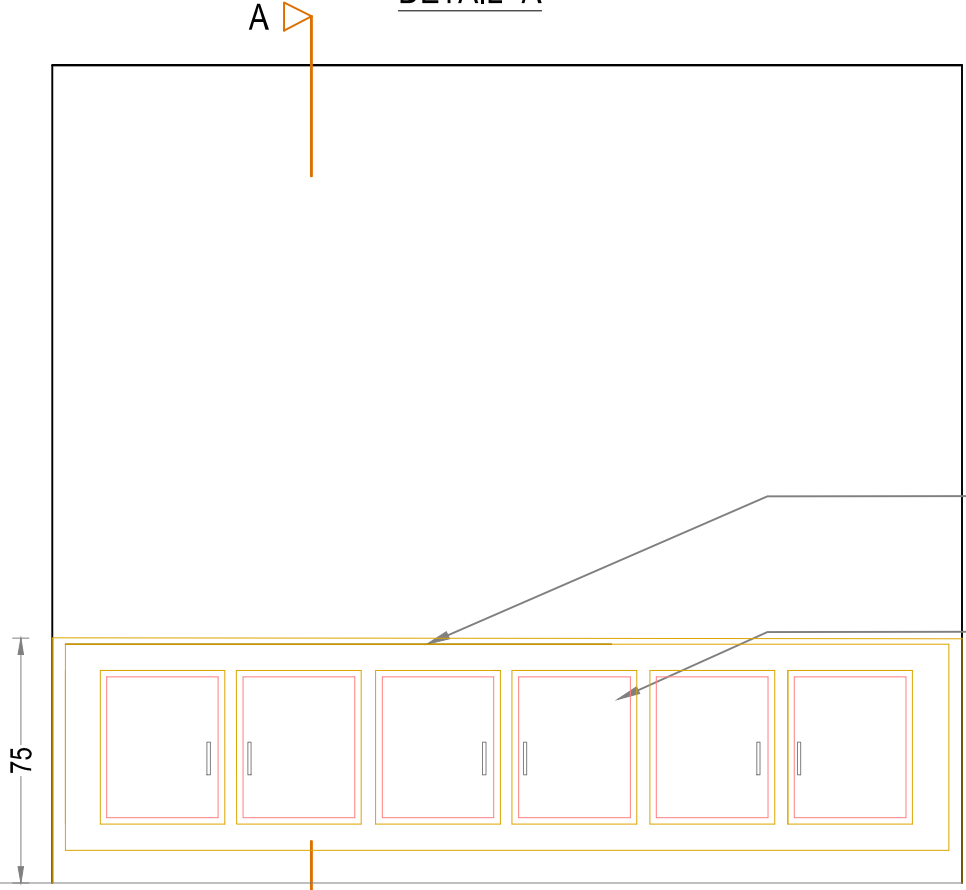
Revision Date: 22-05-2024 Sheet No: **11**

Scale

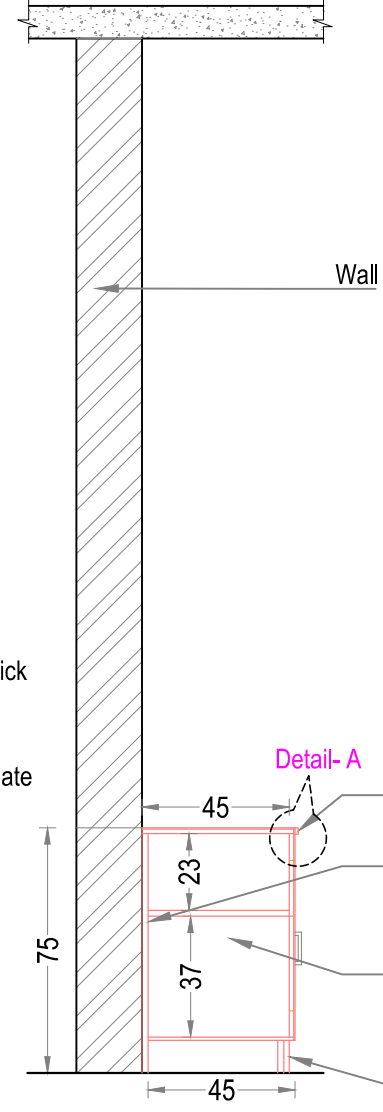
All Dimensions are in Cms.



DETAIL- A



ELEVATION



SECTION- AA

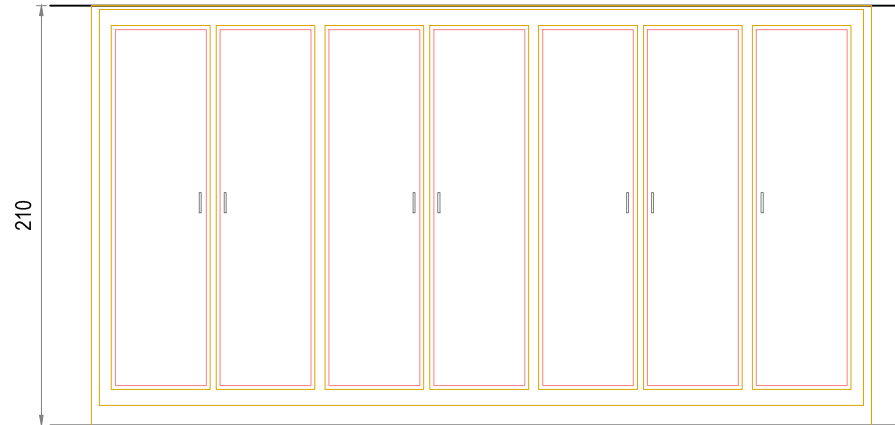
PROPOSED INTERIOR FURNISHING FOR BANKS CANARA BANK PATTIKKAD BRANCH

DETAILS OF :	ITEM NO.
1. LOW LEVEL CUPBOARDS 75 CMS HEIGHT	10a

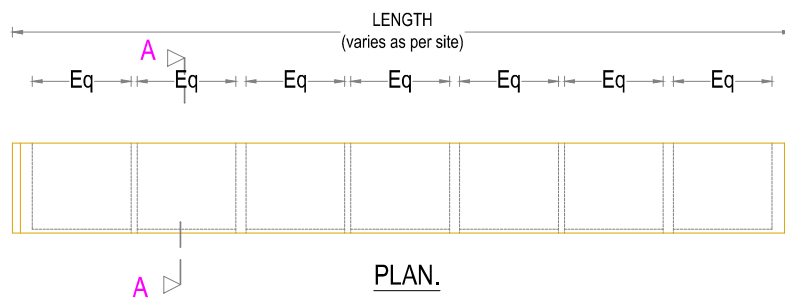
Drawn by	GINISH K G
Architect	Ar.PRAVEEN,P B. Arch,Regd, A.I.I.A, A.I.I.I.D

Chief Architect	Ar. K. RAMAKRISHNAN B.Sc.(Engg), F.I.E. C. Eng (I), F.I.V., I.I.I.D, F.I.I.A. (Regd),
-----------------	--

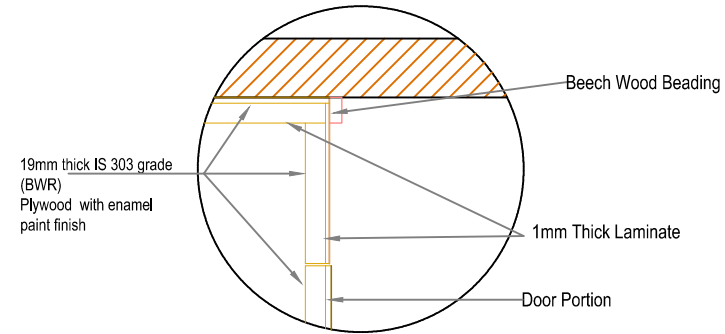
Date: 08-02-2024	Drawing No.
Revision Date:	Sheet No: 12
	Scale NTS
All Dimensions are in CMs.	



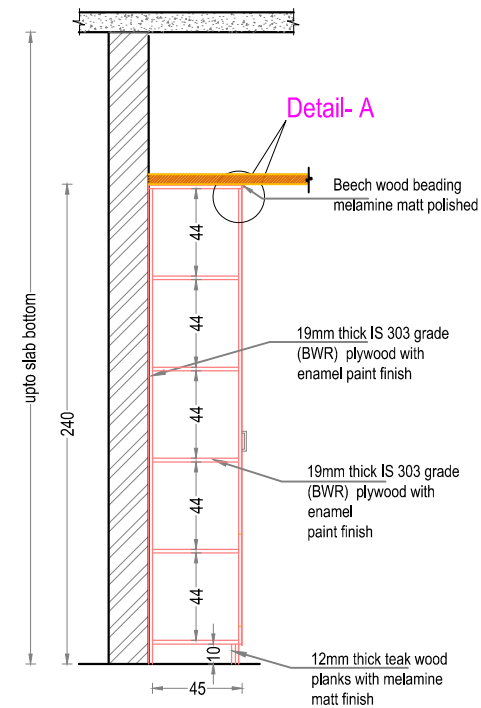
ELEVATION



PLAN.



DETAIL- A



SECTION- AA

**PROPOSED INTERIOR FURNISHING
FOR BANKS CANARA BANK
PATTIKKAD BRANCH**

DETAILS OF :	ITEM NO.
CUPBOARD FULL HEIGHT	10b

Drawn by GINISH K G

Architect Ar.PRAVEEN.P
B. Arch,[Reg], A.I.I.A, A.I.I.I.D

Chief Architect

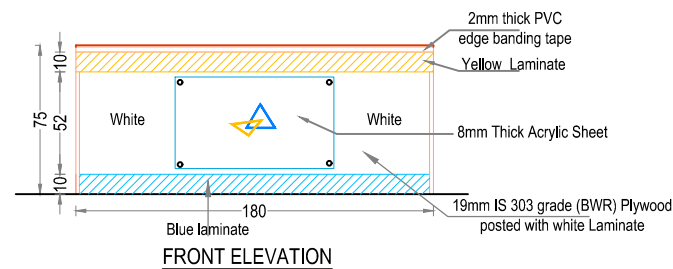
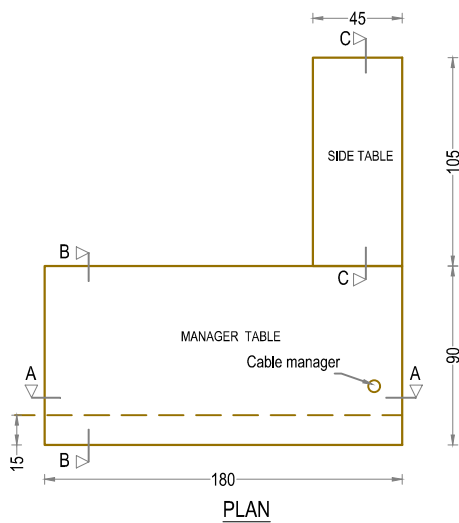
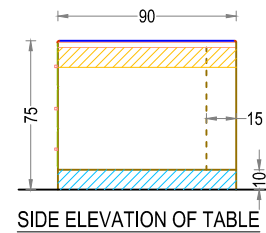
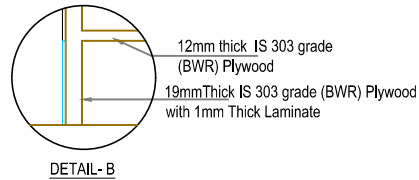
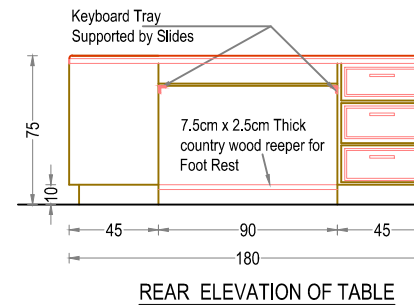
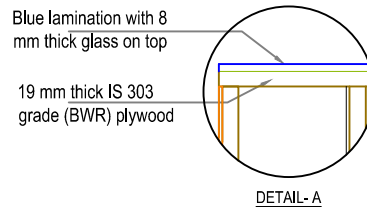
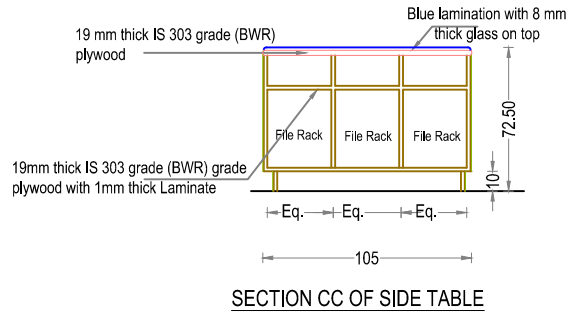
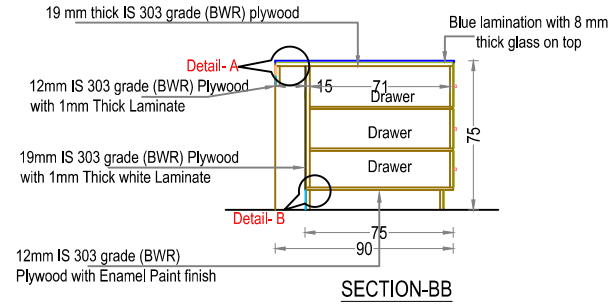
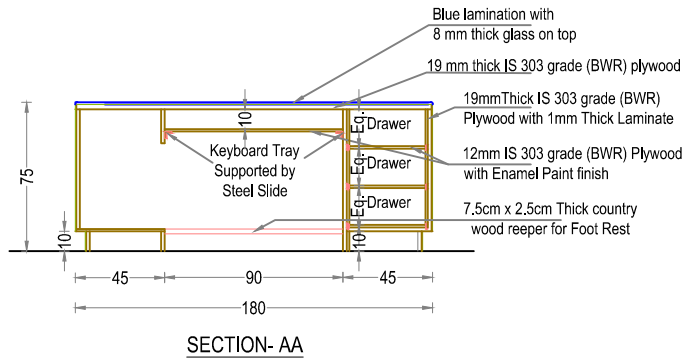
Ar. K. RAMAKRISHNAN
B.Sc,(Engg), F.I.E, C. Eng (I),
F.I.V ,I.I.I.D ,F.I.I.A, (Regd),

Date: 08-02-2024 Drawing No.

Revision Date: Sheet No: 13

Scale NTS

All Dimensions are in CMs.



**PROPOSED INTERIOR FURNISHING
FOR BANKS CANARA BANK
PATTIKKAD BRANCH**

DETAILS OF :	ITEM NOS.
1. MANAGER 180X75X75	13
2. SIDE TABLE 105X45X72.5	16 a

Drawn by	GINISH K G
Architect	Ar.PRAVEEN.P B. Arch.[Reg], A.I.I.A, A.I.I.I.D

Chief Architect	Ar. K. RAMAKRISHNAN B.Sc.(Engg), F.I.E, C. Eng (I), F.I.V , F.I.I.A. (Regd), A.I.I.I.D
-----------------	--

Date: 08-02-2024	Drawing No.
Revision Date: 22-05-2024	Sheet No. 14
	Scale NTS
	All Dimensions are in CMs.

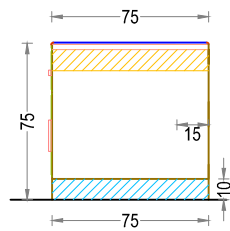
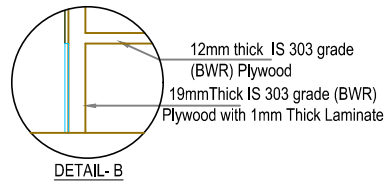
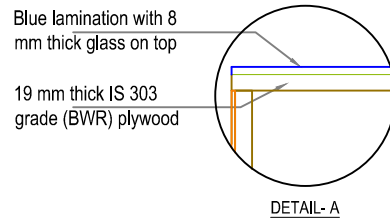
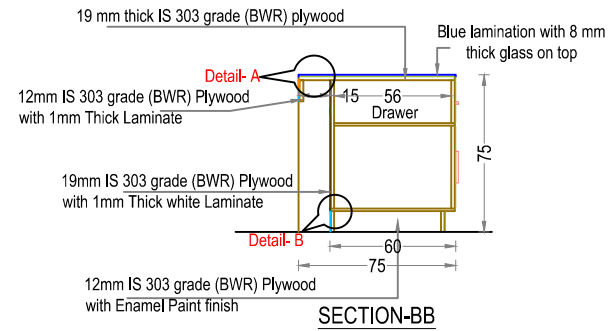
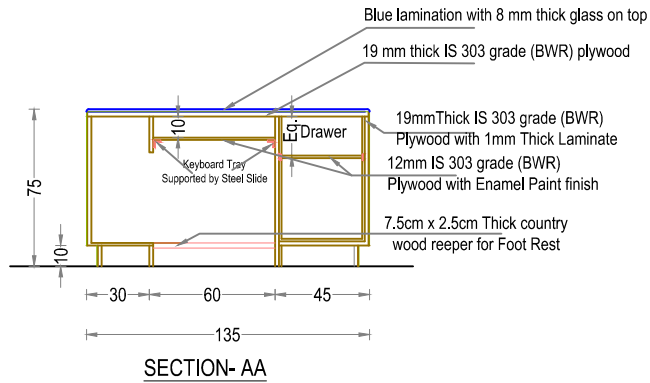
**PROPOSED INTERIOR FURNISHING
FOR BANKS CANARA BANK
PATTIKKAD BRANCH**

DETAILS OF :	ITEM NOS.
1. CLERK, OFFICER TABLE 135 X 75 X 75	15

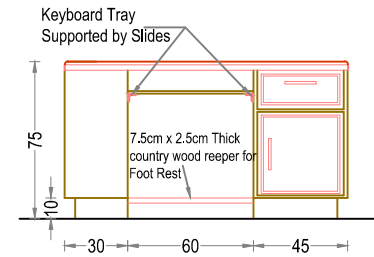
Drawn by	GINISH K G
Architect	Ar.PRAVEEN.P B. Arch.[Reg], A.I.I.A, A.I.I.I.D

Chief Architect	Ar. K. RAMAKRISHNAN B.Sc.(Engg), F.I.E, C. Eng (I), F.I.V , F.I.I.A. (Regd), A.I.I.I.D
-----------------	--

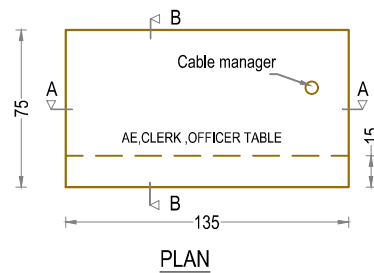
Date: 12-12-2023	Drawing No.
Revision Date: 12-04-2023	Sheet No. 15
	Scale NTS
	All Dimensions are in CMs.



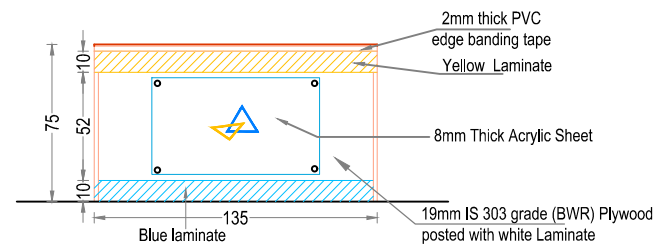
SIDE ELEVATION OF TABLE



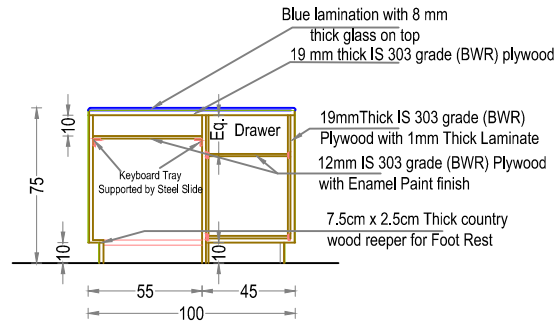
REAR ELEVATION OF TABLE



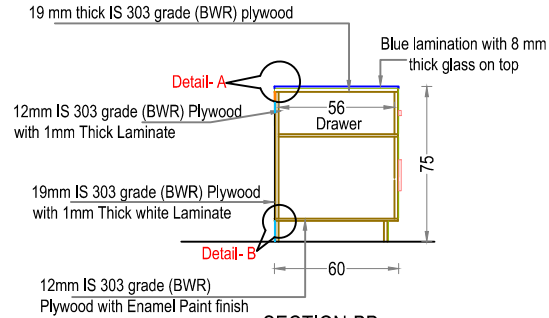
PLAN



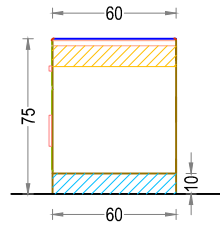
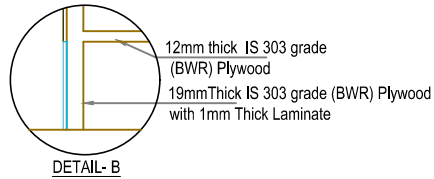
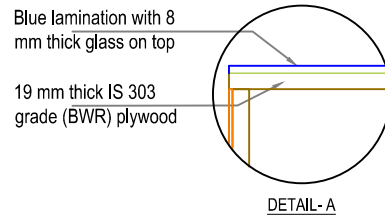
FRONT ELEVATION



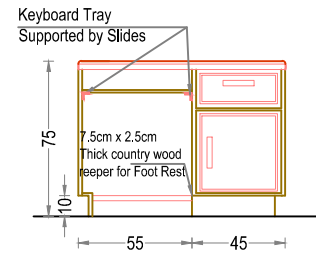
SECTION-AA



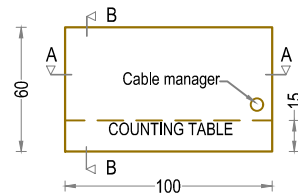
SECTION-BB



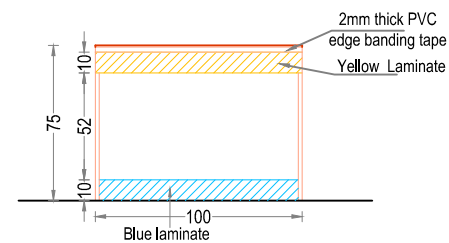
SIDE ELEVATION OF TABLE



REAR ELEVATION OF TABLE



PLAN



FRONT ELEVATION

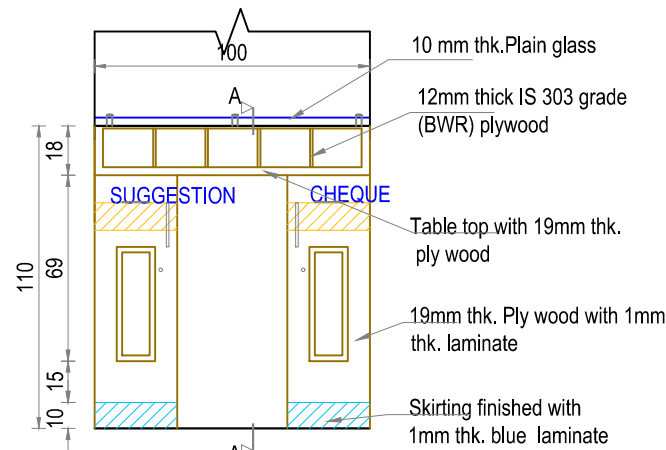
**PROPOSED INTERIOR FURNISHING
FOR BANKS CANARA BANK
PATTIKKAD BRANCH**

DETAILS OF :	ITEM NOS.
1. CLERK TABLE 100 X 60 X 75	17

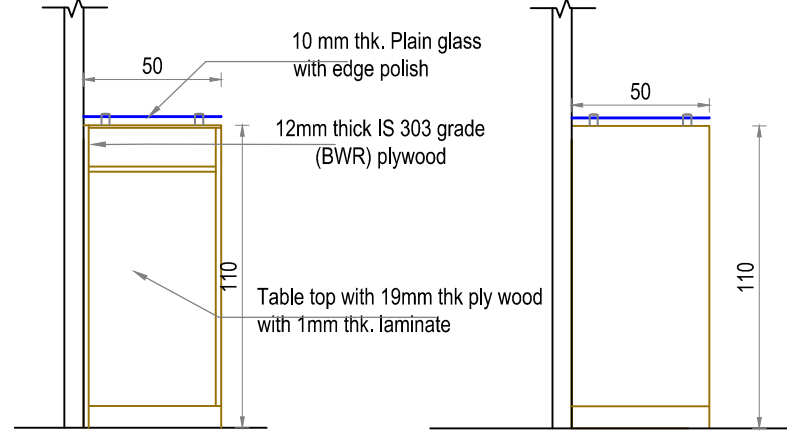
Drawn by	GINISH K G
Architect	Ar. PRAVEEN.P B. Arch.[Reg], A.I.I.A, A.I.I.I.D
Chief Architect	Ar. K. RAMAKRISHNAN B.Sc.(Engg), F.I.E, C. Eng (I), F.I.V, F.I.I.A. (Regd), A.I.I.I.D

Date: 12-12-2023	Drawing No.
Revision Date: 12-04-2024	Sheet No. 16
	Scale NTS
All Dimensions are in CMs.	

**PROPOSED INTERIOR FURNISHING
FOR BANKS CANARA BANK
PATTIKKAD BRANCH**

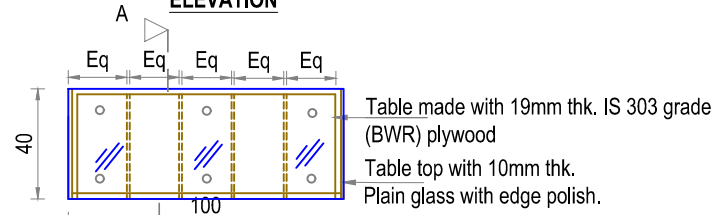


ELEVATION

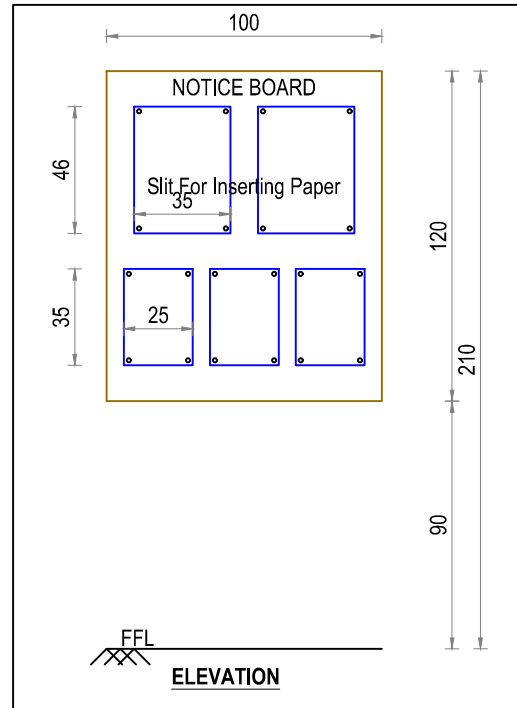


SECTION AA

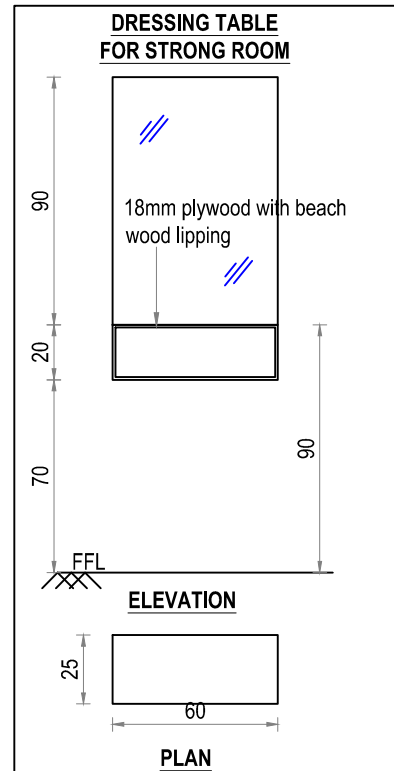
SIDE ELEVATION



PLAN

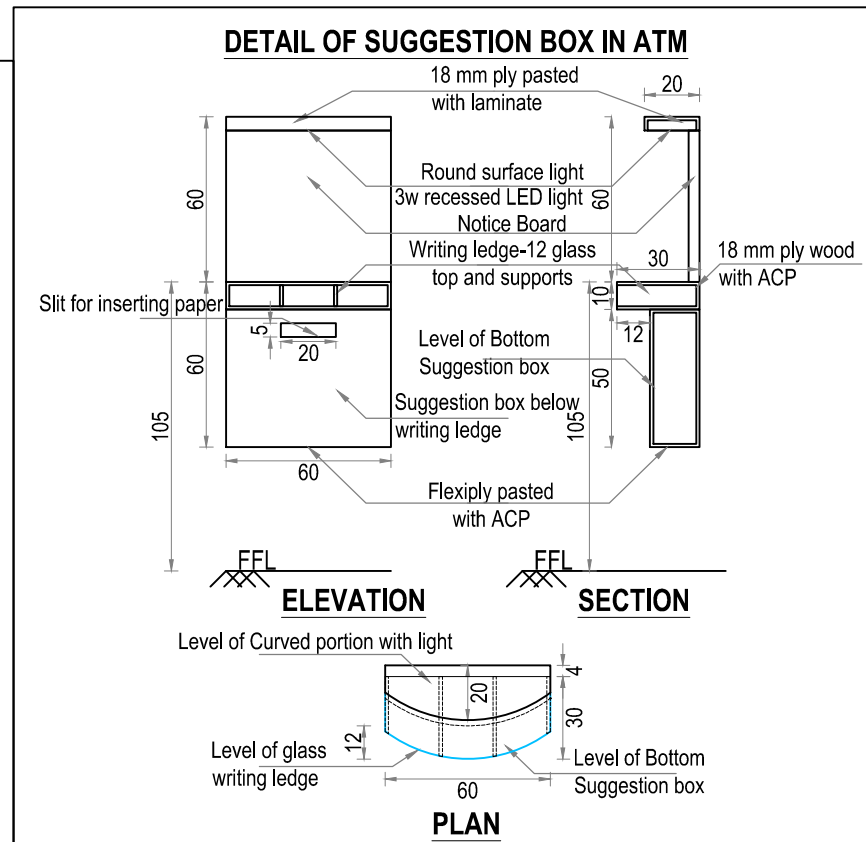


ELEVATION



ELEVATION

PLAN



DETAIL OF SUGGESTION BOX IN ATM

ELEVATION

SECTION

PLAN

DETAILS OF :	ITEM NOS.
WRITING DESK (100 X 40 X 110)	19
NOTICE BOARD (100 X 120)	20
DRESSING TABLE FOR STRONG ROOM (60 X 25)	21
SUGGESTION BOX	3

Drawn by: GINISH.K.G

Architect: Ar.PRAVEEN.P
B. Arch.(Reg), A.I.I.A, A.I.I.I.D

Chief Architect: Ar. K. RAMAKRISHNAN
B.Sc.(Engg), M.I.E, C. Eng (I), F.I.V.A.I.I.A.(Regd.)

Date: 08-02-2024 Drawing No.

Revision Date: Sheet No : 17

Scale : NTS

All Dimensions are in CMs.