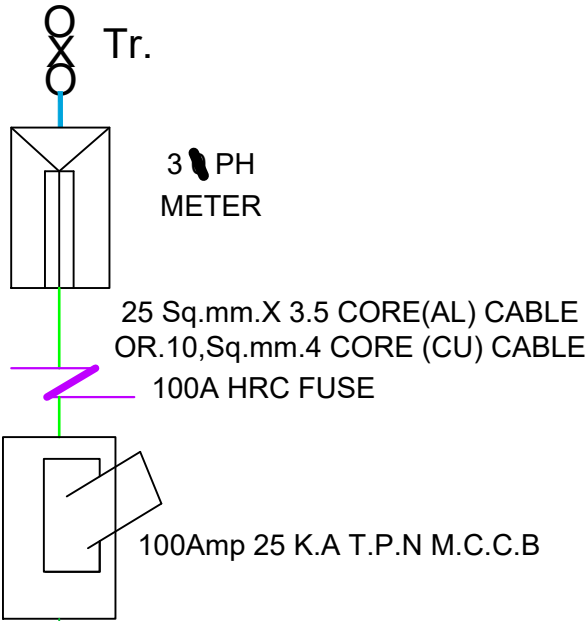


PANEL-1

L.T.PANEL-(SINGAL LINE DIGRAM)

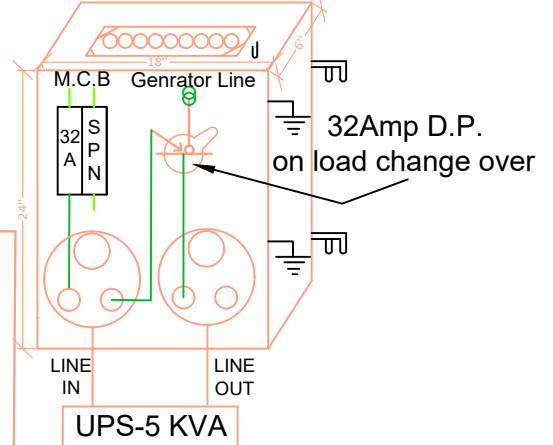


PROJECT:-

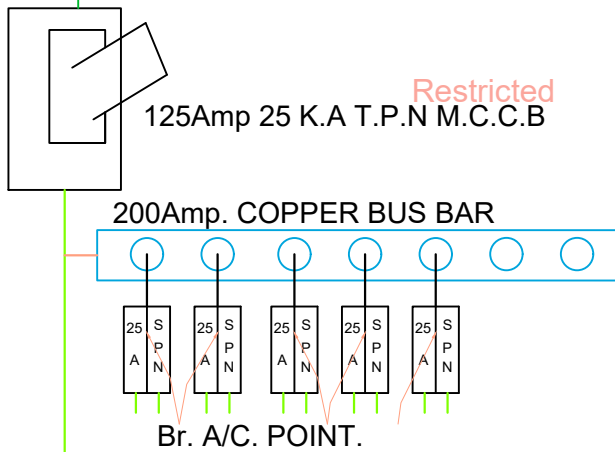
CANARA BANK-BANKA BRANCH

KRISHNA GOPAL PRASAD(B.E.ELECTRIC)
(ELECTRICAL CONSULTANT) (EMAIL:-kgprasad62@gmail.com)
(COMPUTER AIDED ELECTRICAL DESIGNER)
402, SUN RISE KAMLA-REKHA SHREE, RAI RAM BRIKSH PATH, NEHRU NAGER
PATLIPUTRA COLONY, PATNA (BIHAR) PIN CODE-800013. PHONE NO.-9431066089

UPS PRIMARY & SECONDRY PANEL

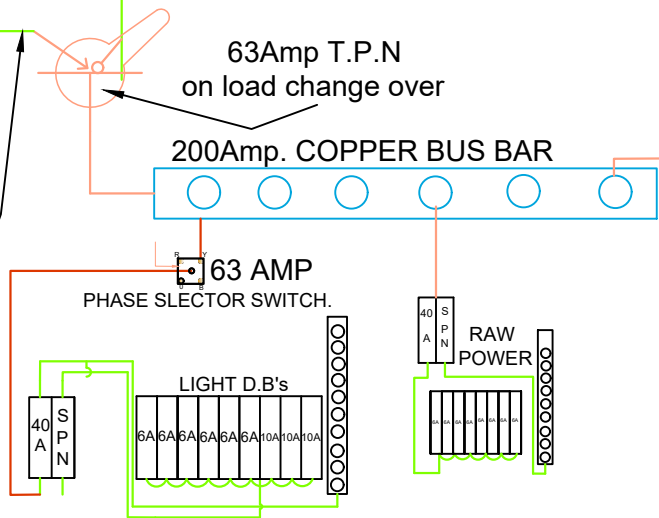


PANEL-2



Restricted

7.5 K.V.A / 220 Volts D.G.
16 Sq.mm.X 2 CORE(AL) CABLE
OR 6Sq.mm. x 2CORE (CU) CABLE



PANEL-3

