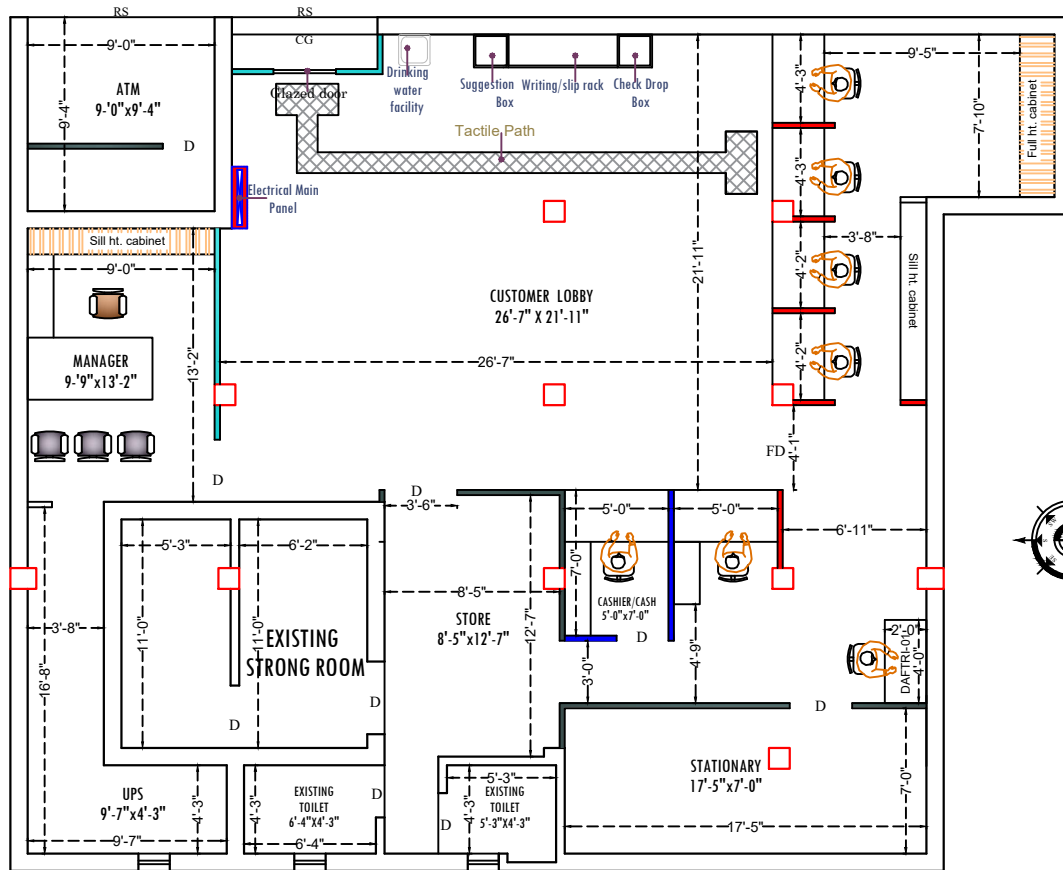


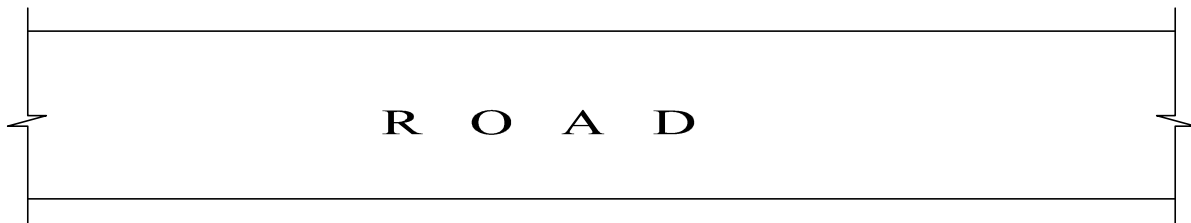
OPTION:-02

ROOF HT. 10'-0"

LILTER HT. 7'-7"



GROUND FLOOR PLAN



NOTE HALF HT. PARTITION SEMI GLAZED FULL HT. PARTITION SOLID FULL HT. PARTITION 7' HT. PARTITION	PROJECT:- PROPOSED INTERIOR LAYOUT OF CANARA BANK AT-HILSA BRANCH Internal	REVISION:- <table border="1"> <thead> <tr> <th>No.</th> <th>Date :-</th> </tr> </thead> <tbody> <tr><td> </td><td> </td></tr> <tr><td> </td><td> </td></tr> <tr><td> </td><td> </td></tr> <tr><td> </td><td> </td></tr> <tr><td> </td><td> </td></tr> <tr><td> </td><td> </td></tr> <tr><td> </td><td> </td></tr> </tbody> </table>	No.	Date :-															Sheet title :- FURNITURE LAYOUT PLAN <table border="1"> <thead> <tr> <th>Scale :-</th> <th>Date :-</th> <th>Drawn by :-</th> <th>Checked by :-</th> </tr> </thead> <tbody> <tr> <td>N.T.S</td> <td>15/07/2025</td> <td>RAHUL SINGH</td> <td>Ar. Amit Kumar</td> </tr> </tbody> </table> Architects :- ARTCON DESIGN CONSULTANTS ARCHITECTS ENGINEERS INTERIOR DESIGNERS COMPUTER AIDED DESIGN G-04 Laxmi Palace, Mitra Compound, Boring Road, Patna - 800001 +91 9931723771, amitkumar73@gmail.com +91 9386717726 artcondesignconsultants.com	Scale :-	Date :-	Drawn by :-	Checked by :-	N.T.S	15/07/2025	RAHUL SINGH	Ar. Amit Kumar
	No.	Date :-																									
Scale :-	Date :-	Drawn by :-	Checked by :-																								
N.T.S	15/07/2025	RAHUL SINGH	Ar. Amit Kumar																								