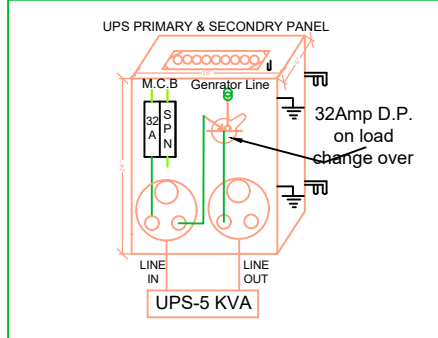
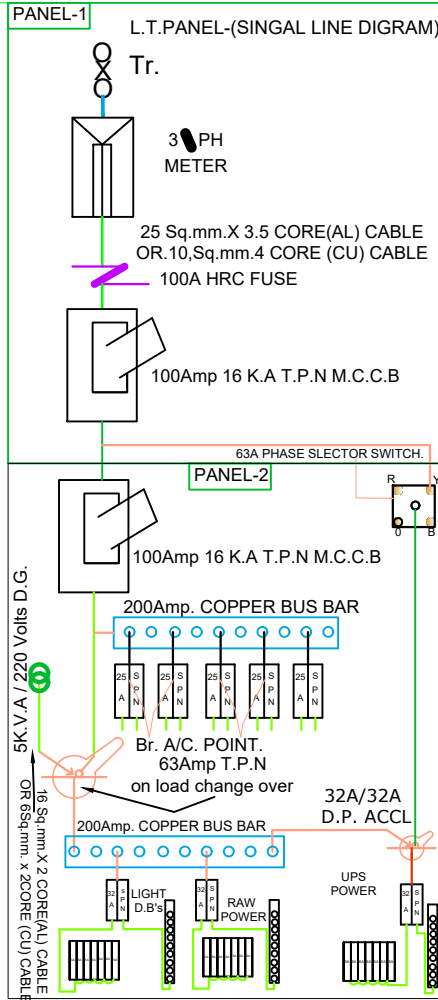


BRANCH AT GROUND FLOOR



DISTRIBUTION BOARD DETAILS- COMPUTER UPS POWER D.B's.-1  
2+8 WAY'S MCB TYPE DOUBLE DOOR DISTRIBUTION BOARD

MCB	CIRCUIT	AMPS.	NOS.	VOLTS.	NOS. OF WIRES	COLOUR CODE OF WIRES
S.P.N "C"-10kA	SUB-MAIN UPS POWER POINT CIRCUIT	32A	01	220V	2X6SQ. MM( LOAD) +1X6SQ. MM(EARTH)	RED+BLACK(LOAD) & GREEN (EARTH)
S.P "C"-10kA	POWER	6A/10A	08	220V	2X2.5SQ. MM( LOAD) +1X2.5SQ. MM(EARTH)	RED+BLACK(LOAD) & GREEN (EARTH)

DISTRIBUTION BOARD DETAILS- COMPUTER RAW POWER D.B's.-1  
2+8 WAY'S MCB TYPE DOUBLE DOOR DISTRIBUTION BOARD

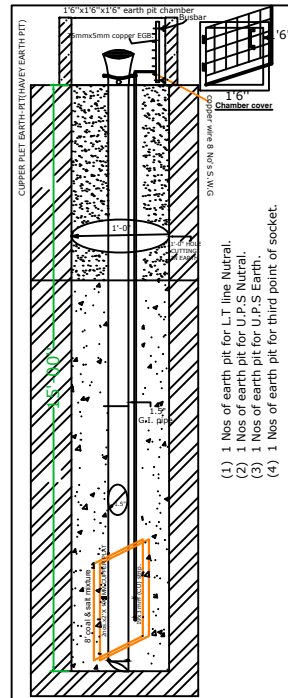
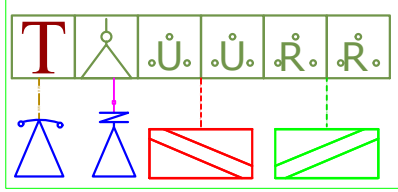
MCB	CIRCUIT	AMPS.	NOS.	VOLTS.	NOS. OF WIRES	COLOUR CODE OF WIRES
S.P.N "C"-10kA	SUB-MAIN UPS POWER POINT CIRCUIT	32A	01	220V	2X6SQ. MM( LOAD) +1X6SQ. MM(EARTH)	RED+BLACK(LOAD) & GREEN (EARTH)
S.P "C"-10kA	POWER	6A/10A	8	220V	2X2.5SQ. MM( LOAD) +1X2.5SQ. MM(EARTH)	RED+BLACK(LOAD) & GREEN (EARTH)

DISTRIBUTION BOARD DETAILS- COMPUTER RAW POWER D.B's.-1  
2+12 WAY'S MCB TYPE DOUBLE DOOR DISTRIBUTION BOARD

MCB	CIRCUIT	AMPS.	NOS.	VOLTS.	NOS. OF WIRES	COLOUR CODE OF WIRES
S.P.N "C"-10kA	SUB-MAIN UPS POWER POINT CIRCUIT	32A	01	220V	2X6SQ. MM( LOAD) +1X6SQ. MM(EARTH)	RED+BLACK(LOAD) & GREEN (EARTH)
S.P "C"-10kA	POWER	6A/10A	8	220V	2X2.5SQ. MM( LOAD) +1X2.5SQ. MM(EARTH)	RED+BLACK(LOAD) & GREEN (EARTH)

LEGEND		
SYMBOL	DESCRIPTION	HEIGHT
[Symbol]	U.P.S POWER POINT 3No. 5Amp. SOCKET & SWITCH	IN SIDE OF WORK STATION
[Symbol]	RAW POWER POINT 2No. 5Amp. SOCKET & SWITCH	IN SIDE OF WORK STATION
[Symbol]	NETWORKING POINT (CAT-6 WIRE)	IN SIDE OF WORK STATION
[Symbol]	TELEPHONE POINT	IN SIDE OF WORK STATION
[Symbol]	NETWORKING SWITCH	6'6" HT
[Symbol]	E.P.B.X	6'6" HT
[Symbol]	RAW POWER D.B.	6'6" HT
[Symbol]	U.P.S-POWER D.B.	6'6" HT
[Symbol]	U.P.S PRIMARY & SECONDARY SWITCH & SOCKET	4'6" HT
[Symbol]	CEILING FAN	ON CEILING
[Symbol]	40WX4'0" TUBE LIGHT FITTING	8'6"
[Symbol]	1X18W / 1X23W C.F.L	8'6"
[Symbol]	CEILING LIGHT	ON CEILING
[Symbol]	SWITCH BOARD WITH 5AMP SOCKETS	4'6" HT
[Symbol]	SWITCH BOARD WITHOUT 5AMP SOCKETS	4'6" HT
[Symbol]	2'X2'/36W PANEL LIGHT CEILING	HEIGHT AS PER ARCH. PLAN
[Symbol]	EXHAUST FAN (IN TOI & KIT)	HEIGHT AS PER ARCH. PLAN
[Symbol]	DISTRIBUTION BOARD	6'6" HT
[Symbol]	L.T MAIN CONTROL PANEL	+1'6" HT
[Symbol]	WALL- FAN	5'6" HT

LEGEND ROUTE OF CONDUTE	
SYMBOL	DESCRIPTION
[Symbol]	ROUTE OF UPS. POWER WRING.(25MM)
[Symbol]	ROUTE OF RAW POWER WRING.(25MM)
[Symbol]	ROUTE OF POINT WRING (19MM)
[Symbol]	ROUTE OF POINT WRING (25MM)
[Symbol]	ROUTE OF CIRCUIT WRING (25MM)
[Symbol]	ROUTE OF SUBMAIN WRING (25MM)
[Symbol]	ROUTE OF POWER POINT WRING.(25MM)
[Symbol]	ROUTE OF AC. POINT WRING.(25MM)
[Symbol]	ROUTE OF TELEPHONE WRING
[Symbol]	ROUTE OF DATA CABLE WRING



- (1) 1 Nos of earth pit for L.T line Neutral.
- (2) 1 Nos of earth pit for U.P.S Neutral.
- (3) 1 Nos of earth pit for U.P.S Earth.
- (4) 1 Nos of earth pit for third point of socket.

Notes :  
ALL DIMENSIONS ARE TO BE CHECKED AND CO-RELATED WITH THE RELEVANT ARCHITECTURAL & STRUCTURAL DRAWINGS AND ANY AMBIGUITY SHALL BE IMMEDIATELY BROUGHT TO THE NOTICE OF THE ARCHITECTS BEFORE COMMENCEMENT OF THE WORK. THIS DRAWING IS THE PROPERTY OF ATTIK ARCHITECTS AND IS NOT TO BE COPIED OR USED WITHOUT THEIR PERMISSION.

Architects : **ATTIK ARCHITECTS**  
a r c h i t e c t  
SITHLA ASTHAN ROAD, NEAR  
TILKAMANJHI THANA, BHAGALPUR, PH. NO.  
7503821328  
9430546484, 9899677289

Consultants :  
**KRISHNA GOPAL PRASAD (B.E. ELECTRIC)**  
**(ELECTRICAL CONSULTANT)** (EMAIL: gprasad62@gmail.com)  
**(COMPUTER AIDED ELECTRICAL DESIGNER)**  
402, SUN BISEL KANLA-A, REKHA, SHREE, RAJ RAM BHUSHAN PATIL, NEHRU NAGAR,  
PATILPUTRA COLONY, PATNA (BHAR) PIN CODE-800011, PHONE NO.-9431066899

Drawing Title:-  
**CANARA BANK-SANGRAMPUR  
BRANCH**

Client :  
**CANARA BANK**  
ELECTRICAL LAYOUT PLAN

Internal

REVISIONS :			
Sl. No.	Date	Initials	change

Job Title :  
**BEAM BOTTOM HIGHT-8'-09"  
CILING HIGHT-9'-03"  
CARPET AREA -1655**

Date:-  
08-08-2025

Checked by:  
K.G. PRASAD

Scale:- NTS

Dealt by:  
RAHUL KR.

NORTH :

E/01

ATTIK ARCHITECTS  
This drawing is the property of Attik Architects. No part of this may be reproduced or implemented in any form without prior permission in writing from Attik Architects. Any person doing so shall be liable to criminal prosecution and civil claims for damages.